



ELECTRIC FIREPLACES

INSTALLATION AND OPERATION INSTRUCTIONS FOR BUILT- IN UNITS

BI-40-DEEP BI-50-DEEP BI-60-DEEP BI-72-DEEP BI-88-DEEP

This manual will enable you to obtain a safe, efficient and dependable installation and operation of your electric fireplace. Please read and understand these instructions before beginning your installation.

Do not alter or modify this fireplace or its components under any circumstances. Any modification or alteration of the fireplace system, including but not limited to the fireplace and accessories, may void the warranty, listing and approvals of this system and could result in an unsafe and potentially dangerous installation.

Amantii electric fireplaces are designed for use as a decorative appliance and/or as a supplemental heater. They are not intended for continuous use as a primary heat source.

SAFETY INFORMATION
 WARNING
If the information in these instructions are not followed exactly, a fire or explosion may result causing property damage, personal injury or loss of life.
Do not store or use gasoline or other flammable vapors and liquids in the vicinity of this or any other appliance.



**INSTALLER: LEAVE THIS MANUAL WITH THE APPLIANCE.
CONSUMER: RETAIN THIS MANUAL FOR FUTURE REFERENCE.**

TABLE OF CONTENTS

CONGRATULATIONS!

In selecting this Amantii Wall Mount OR Built-in electric fireplace, you have chosen the finest and most dependable fireplace on the market today. A beautiful and functional addition to the finest homes. Welcome to the family of satisfied Amantii electric fireplace owners.

Please read and carefully follow all of the instruction sfound in this manual. Please pay special attention to the safety instructions provided in this manual. The instructions included here will as sure that you have many years of dependable and enjoyable service from your Amantii product.

Important instructions	Page 3
BI-40-DEEP	Page 4
BI-52-DEEP	Page 5
BI-60-DEEP	Page 6
BI-72-DEEP	Page 7
BI-88-DEEP	Page 8
Installation Overview	Page 9
Package Contents	Page 10
Built-In Installation	Page 11
Media options	Page 13
Fire Glass Media Installation	Page 13
Operating the Unit	Page 14
Replacing The Remote Control Battery	Page 16
Care And Maintenance	Page 17
Fireplace Maintenance	Page 18
Trouble Shooting	Page 19
Parts list	Page 20
Service History	Page 21
Warranty	Page 22
Dealer Contact Information	Back Page

IMPORTANT INSTRUCTIONS

⚠ WARNING!

When using electrical appliances, basic precautions should always be followed to reduce the risk of fire, electric shock, and injury to persons, including the following:

1. Read all instructions before installing or using this heater.
2. This heater is hot when in use. To avoid burns, do not let bare skin touch hot surfaces. Keep combustible materials, such as furniture, pillows, bedding, papers, clothes, etc. and curtains at least 3 feet (0.9 m) from the front of the heater and keep them away from the sides and rear.
3. Extreme caution is necessary when any heater is used by or near children or invalids and whenever the heater is left operating and unattended.
4. Do not operate any heater after it malfunctions. Disconnect power at service panel and have heater inspected.
5. Do not use outdoors.
6. To disconnect heater, turn controls to off, and turn off power to heater circuit at main disconnect panel (or operate internal disconnect switch if provided).
7. Do not insert or allow foreign objects to enter any ventilation or exhaust opening as this may cause an electric shock or fire, or damage the heater.
8. To prevent a possible fire, do not block air intakes or exhaust in any manner.
9. A heater has hot and arcing or sparking parts inside. Do not use it in areas where gasoline, paint, or flammable vapors or liquids are used or stored.
10. Use this heater only as described in this manual. Any other use not recommended by the manufacturer may cause fire, electric shock, or injury to persons.
11. SAVE THESE INSTRUCTIONS.
12. Ensure clearances to combustibles are maintained when building a mantel or shelves above the appliance. Elevated temperatures on the wall or in the air above the appliance can cause melting, discolouration or damage to decorations, a T.V. or other electronic components.
13. Amantii reserves the right to update and change the specifications and instructions in this manual as needed. If in doubt, please visit our website at www.amantii.com for the most recent version of the manual.
14. To reduce the risk of fire, do not store or use gasoline or other flammable vapors and liquids in the vicinity of the heater.
15. See directions in Figure 1. This heater is for use on 120 volts. The cord has a plug as shown in figure 1. See Figure 1 for grounding instruction. An adapter as shown at C is available for connecting three-blade grounding type plugs to two-slot receptacles. The green grounding plug extending from the adapter must be connected to a permanent ground such as a properly grounded outlet box. The adapter should not be used if a three-slot grounded receptacle is available.

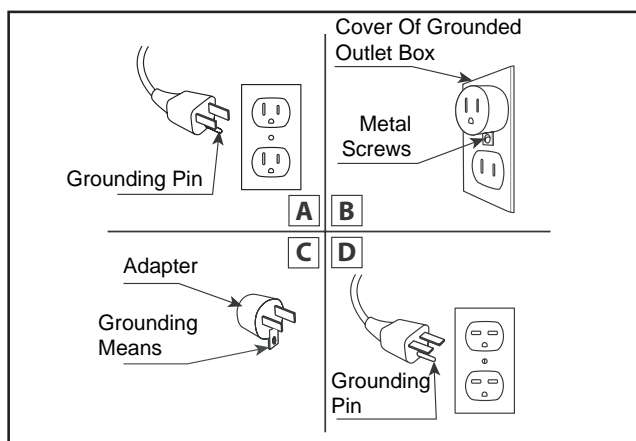


Fig. 1

SAVE THESE INSTRUCTIONS

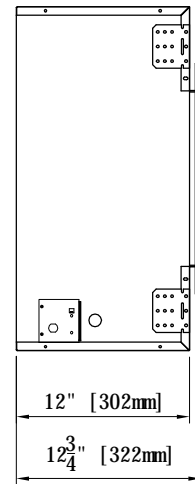
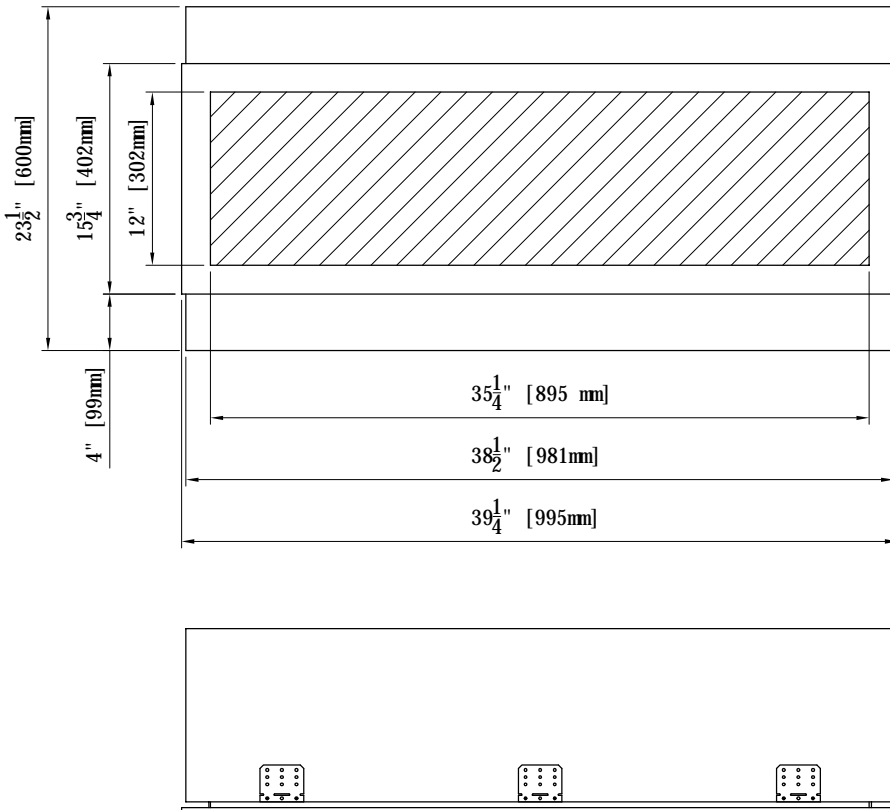
BI-40-DEEP

Model Number		BI-40-DEEP
Description		Built-In Appliance
Voltage		120V AC, 60Hz
Amps		12A
Watts		1500W
HEATER	HIGH	1500W
	LOW	750W
NO HEATER		25W
MOTOR HEATER		19W
MOTOR FLAME		4W
Appliance Width		38 5/8" or 98.1 cm
Appliance Height		23 5/8" or 60 cm
Appliance Depth		12 1/4" or 31.2 cm
Gross Weight		94.6lbs or 43kg
Plug Location		Left side
Cord Length		74.81" or 190.00 cm
Rough Wall Opening Size		40" X 24" or 101.6 cm X 60 cm

This appliance has been tested in accordance with the UL Standard 2021 for fixed and location-dedicated electric room appliances in the United States and Canada. If you need assistance during installation, please contact your local dealer.

NOTE: This appliance must be electrically wired and grounded in accordance with local codes. In the absence of local codes, use the current CSA C22.1 Canadian Electrical Code in Canada or the ANSI/NFPA 70 National Electrical Code in the United States.

This appliance for built-in only.



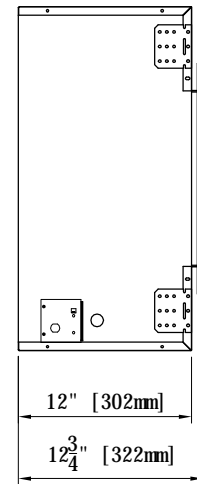
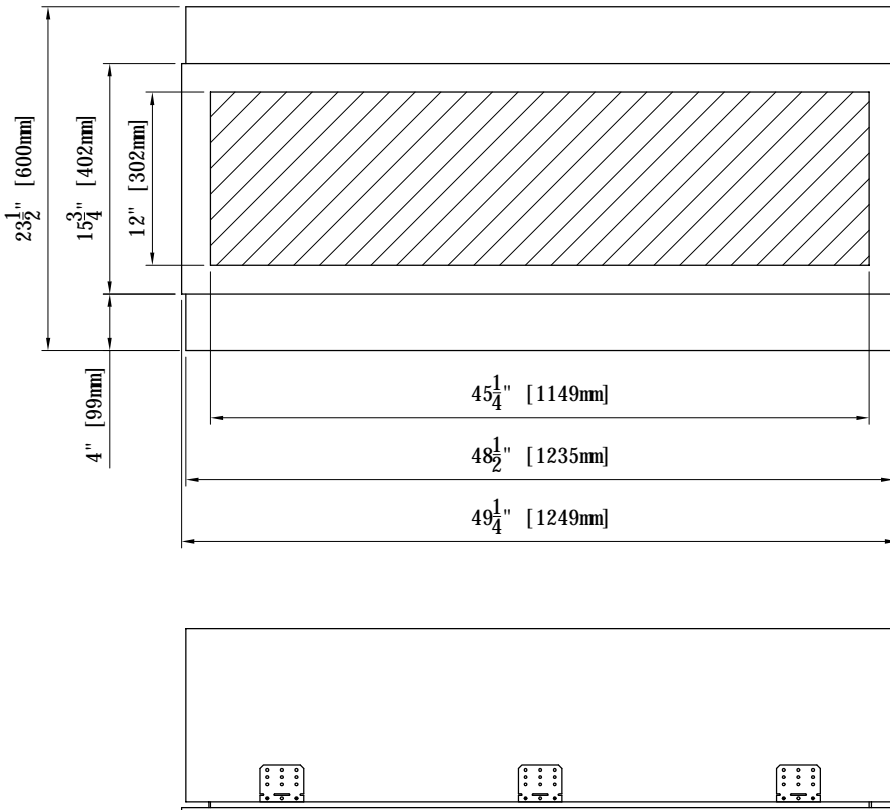
BI-50-DEEP

Model Number		BI-50-DEEP
Description		Built-In Appliance
Voltage		120V AC, 60Hz
Amps		12A
Watts		1500W
HEATER	HIGH	1500W
	LOW	750W
NO HEATER		25W
MOTOR HEATER		19W
MOTOR FLAME		4W
Appliance Width		48 5/8" or 123.5 cm
Appliance Height		23 5/8" or 60 cm
Appliance Depth		12 1/4" or 31.2 cm
Gross Weight		94.6lbs or 43kg
Plug Location		Left side
Cord Length		74.81" or 190.00 cm
Rough Wall Opening Size		50" X 24" or 127 cm X 60 cm

This appliance has been tested in accordance with the UL Standard 2021 for fixed and location-dedicated electric room appliances in the United States and Canada. If you need assistance during installation, please contact your local dealer.

NOTE: This appliance must be electrically wired and grounded in accordance with local codes. In the absence of local codes, use the current CSA C22.1 Canadian Electrical Code in Canada or the ANSI/NFPA 70 National Electrical Code in the United States.

This appliance for built-in only.



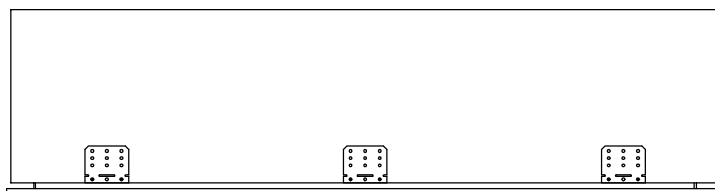
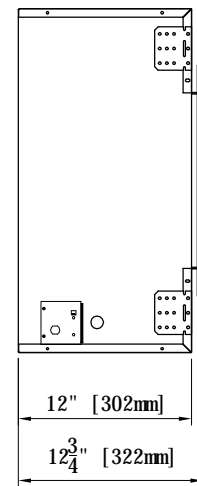
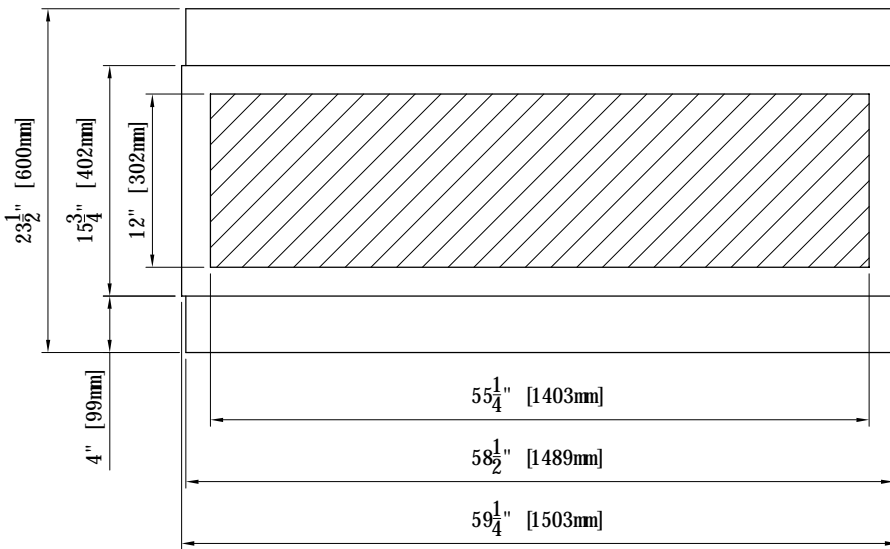
BI-60-DEEP

Model Number		BI-60-DEEP
Description		Built-In Appliance
Voltage		120V AC, 60Hz
Amps		12A
Watts		1500W
HEATER	HIGH	1500W
	LOW	750W
NO HEATER		25W
MOTOR HEATER		19W
MOTOR FLAME		4W
Appliance Width		58 5/8" or 148.9 cm
Appliance Height		23 5/8" or 60 cm
Appliance Depth		12 1/4" or 31.2 cm
Gross Weight		94.6lbs or 43kg
Plug Location		Left side
Cord Length		74.81" or 190.00 cm
Rough Wall Opening Size		60" X 24" or 152.4 cm X 60 cm

This appliance has been tested in accordance with the UL Standard 2021 for fixed and location-dedicated electric room appliances in the United States and Canada. If you need assistance during installation, please contact your local dealer.

NOTE: This appliance must be electrically wired and grounded in accordance with local codes. In the absence of local codes, use the current CSA C22.1 Canadian Electrical Code in Canada or the ANSI/NFPA 70 National Electrical Code in the United States.

This appliance for built-in only.



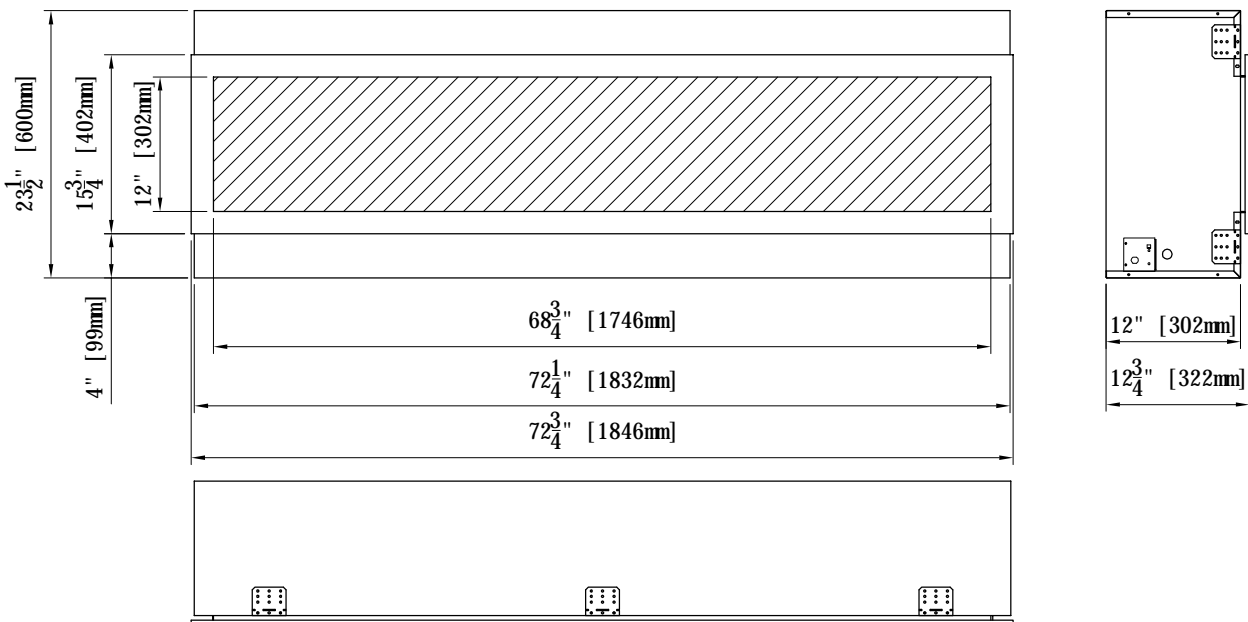
BI-72-DEEP

Model Number		BI-72-DEEP
Description		Built-In Appliance
Voltage		120V AC, 60Hz
Amps		12A
Watts		1500W
HEATER	HIGH	1500W
	LOW	750W
NO HEATER		25W
MOTOR HEATER		19W
MOTOR FLAME		4W
Appliance Width		72 1/8" or 183.2 cm
Appliance Height		23 5/8" or 60 cm
Appliance Depth		12 1/4" or 31.2 cm
Gross Weight		126.5lbs or 57.5kg
Plug Location		Left side
Cord Length		74.81" or 190.00 cm
Rough Wall Opening Size		73" X 24" or 185.5 cm X 60 cm

This appliance has been tested in accordance with the UL Standard 2021 for fixed and location-dedicated electric room appliances in the United States and Canada. If you need assistance during installation, please contact your local dealer.

NOTE: This appliance must be electrically wired and grounded in accordance with local codes. In the absence of local codes, use the current CSA C22.1 Canadian Electrical Code in Canada or the ANSI/NFPA 70 National Electrical Code in the United States.

This appliance for built-in only.



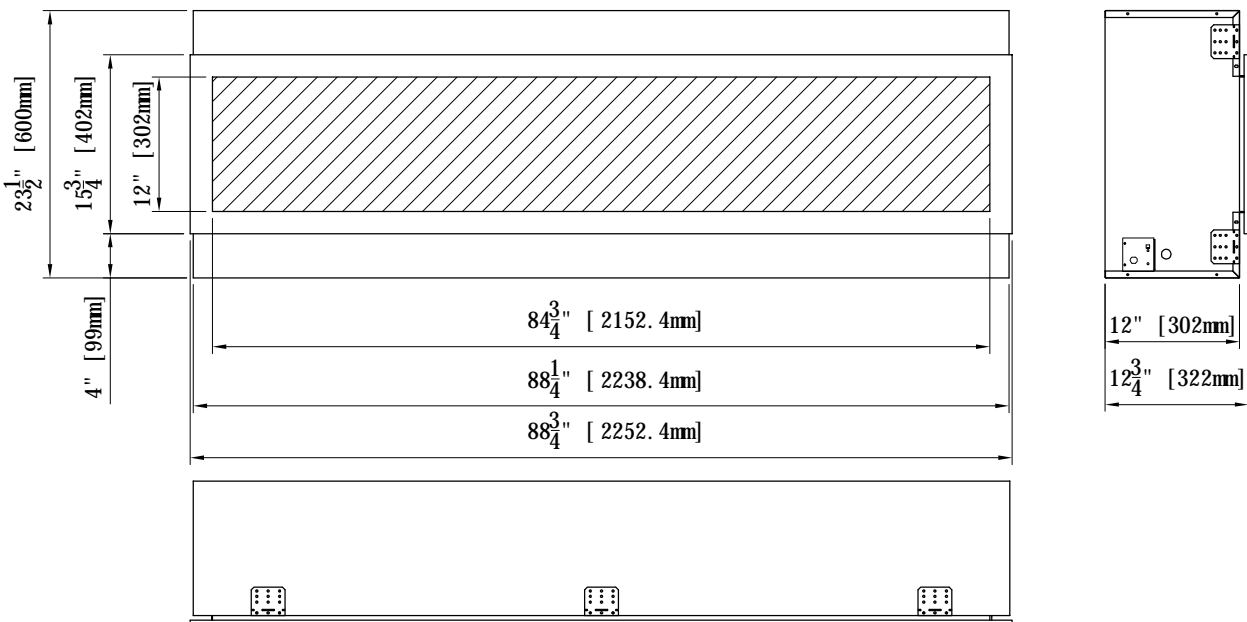
BI-88-DEEP

Model Number		BI-88-DEEP
Description		Built-In Appliance
Voltage		120V AC, 60Hz
Amps		12A
Watts		1500W
HEATER	HIGH	1500W
	LOW	750W
NO HEATER		25W
MOTOR HEATER		19W
MOTOR FLAME		4W
Appliance Width		88 1/8" or 223.8 cm
Appliance Height		23 5/8" or 60 cm
Appliance Depth		12 1/4" or 31.2 cm
Gross Weight		126.5lbs or 57.5kg
Plug Location		Left side
Cord Length		74.81" or 190.00 cm
Rough Wall Opening Size		89" X 24" or 226.1 cm X 60 cm

This appliance has been tested in accordance with the UL Standard 2021 for fixed and location-dedicated electric room appliances in the United States and Canada. If you need assistance during installation, please contact your local dealer.

NOTE: This appliance must be electrically wired and grounded in accordance with local codes. In the absence of local codes, use the current CSA C22.1 Canadian Electrical Code in Canada or the ANSI/NFPA 70 National Electrical Code in the United States.

This appliance for built-in only.



INSTALLATION OVERVIEW



SITE SELECTION

Your new fireplace may be wall mounted, installed into existing framing or built into a wall.

Review and consider all of the following conditions for installation:

- Dimensions of the unit
- Unit requires a minimum of two (2) wall studs in order to ensure a secure installation.

Power supply Wire Gage		
Voltage	Wire Gage	Fuse
120 v	14 GA.	15 AMP

Wall switch / thermostat Wire Gage	
Voltage	Wire Gage
5 Volts	18 Gage

NOTE: A 15 Amp, 120 Volt circuit is required. A dedicated circuit is preferred but not essential in all cases.



WARNING:

Ensure the power cord is not installed so that it is pinched or against a sharp edge and ensure that the power cord is stored or secured to avoid tripping or snagging to reduce the risk of fire, electric shock or injury to persons.

Construction and electrical outlet wiring must comply with local building codes and other applicable regulations to reduce the risk of fire, electric shock and injury to persons.

To reduce the risk of fire, do not store or use gasoline or other flammable vapors and liquids in the vicinity of the heater.



NOTE: BEFORE YOU INSTALL

1. Select a location that is not susceptible to moisture, dust and is away from high traffic locations and things that many catch fire or block openings such as drapes, pillows, furniture etc.
2. For the best effect install the fireplace out of direct sunlight and away from overhead lighting.
3. If possible, select a location near an existing electrical outlet for ease of electrical hook up.
4. Remove fireplace, front, fireglass media, and all hardware from box and remove all packaging related materials prior to installation.
5. Plug in the unit, then press the control button on the unit or remote control. (ensure the batteries are installed to remote control.) After this, ensure the LED lights are working correctly.
6. Press ON/OFF key to close the unit, then pull the plug from the socket. Store the fireplace in a safe, dry and dust free location until you are ready to install the fireplace.

PACKAGING LIST

This assembled Electric fireplace is packaged with:

- One installation and Operation Manual
- One remote control
- Decorative media (See page 8)

TOOLS & BUILDING SUPPLIES NORMALLY REQUIRED

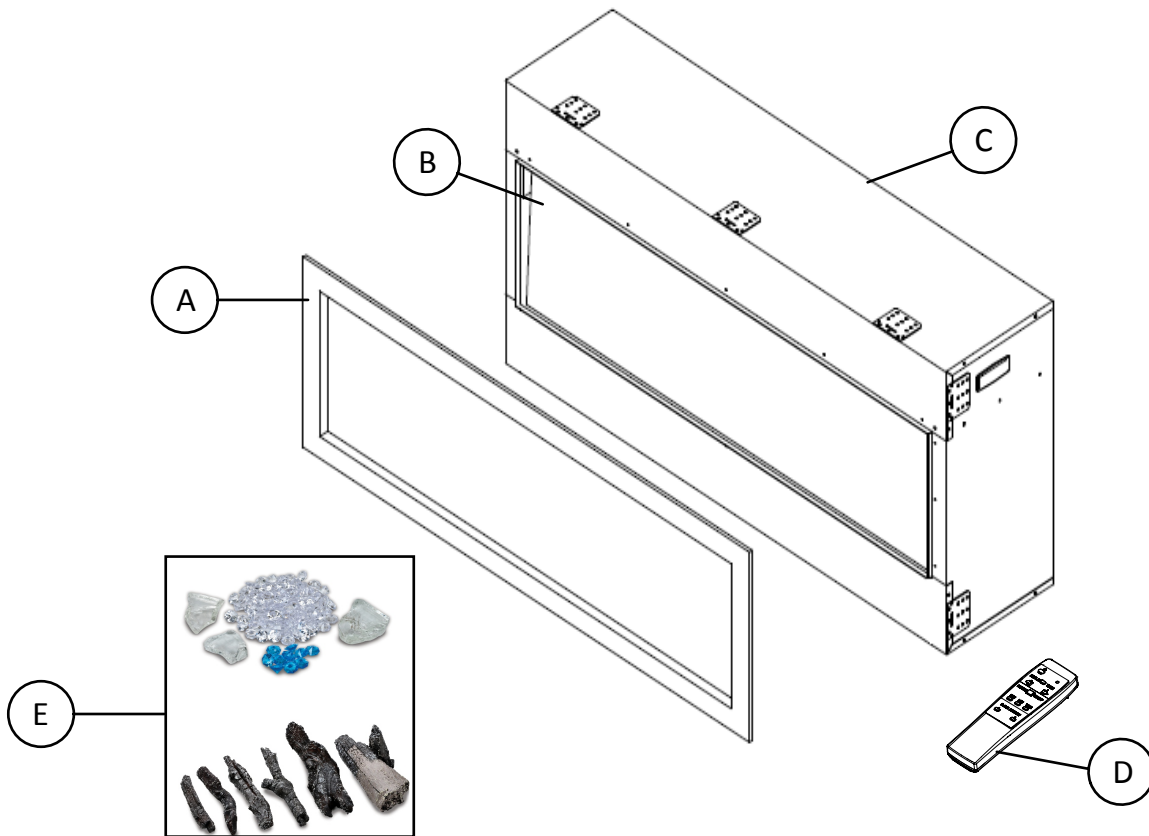
TOOLS:

- Phillips Screwdriver
- Hammer
- Saw and/or Saber Saw
- Level
- Measuring Tape
- Plum Line
- Electric Drill and Bits
- Pliers
- Square
- Gloves

BUILDING SUPPLIES

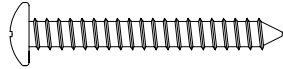
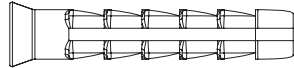

- Framing Materials
- Wall Finishing Materials
- Caulking Materials
(noncombustable)

PACKAGE CONTENTS



Part	Description	Quantity
A	Trim	1
B	Glass	1
C	Appliance	1
D	Remote control	1
E	Decorative Media	1

CONTENTS

Part	Description	Quantity	Picture
A	Screw 0.16 in. x 1.0 in.	10	
B	Wall Plug 0.3 in. x 1.5 in.	10	
C	Wood Screw 0.16 in. x 0.6 in.	10	

BI-50/72-DEEP INSTALLATION- BUILT-IN



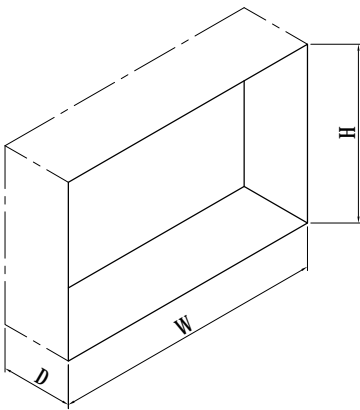
NOTE: BEFORE YOU INSTALL

- The BI-DEEP models are designed to be built-in and allow for the finishing material (drywall, stone, tile, etc) to be built right down to the glass edge. However, that application is not always desirable or available so the surround could be used as an alternate finish option.

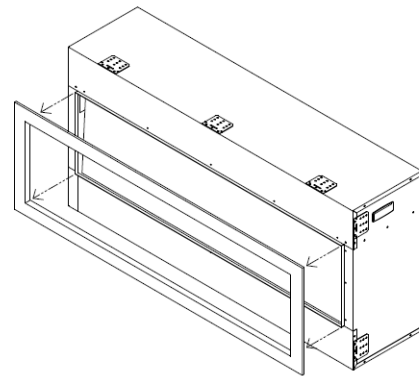
NOTE: The optional trim can be pull out directly from the unit. It will need two person to do it.

The rough wall opening size of the fireplace.

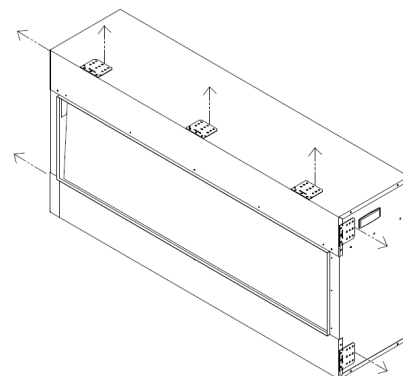
	W(")	D(")	H(")
BI -40-DEEP	40	13	24
BI -50-DEEP	50	13	24
BI -60-DEEP	60	13	24
BI -72-DEEP	73	13	24
BI -88-DEEP	89	13	24



1. Take out the unit from the box. Pull out the optional trim from the unit as show right.



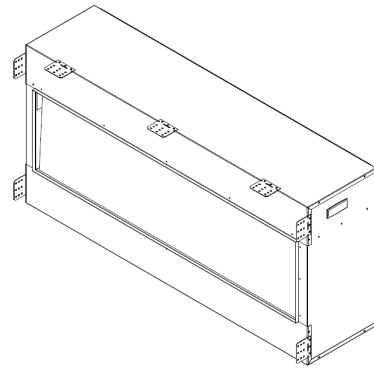
2. Remove the framing plates screws and take off the framing plates.



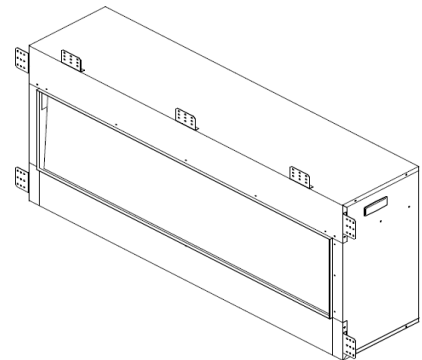
BI-50/72-DEEP INSTALLATION- BUILT-IN



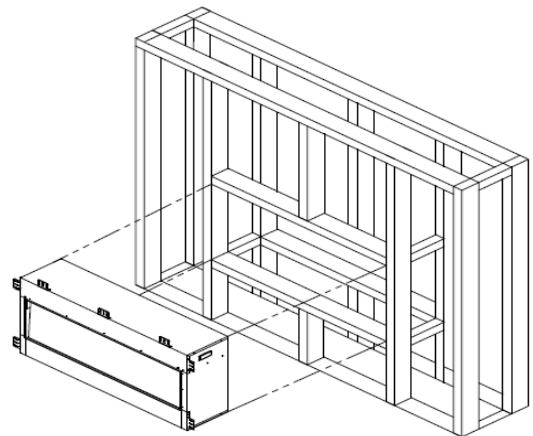
3. Turn around the framing plates and fixing.



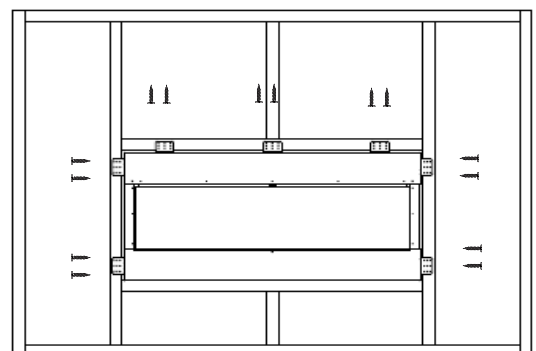
4. Bent up the framing plates.



5. Insert the fireplace into the wall opening.



6. Drive the mounting screws into the framing plates on the units and the wall studs.



Media options



The BI-50-DEEP is shipped with 3 large glass nuggets, clear and blue diamond shaped media and 6 piece log set.

The BI-72-DEEP is shipped with 6 large glass nuggets, clear and blue diamond shaped media and 6 piece log set.



Fire Glass Media - Log Installation

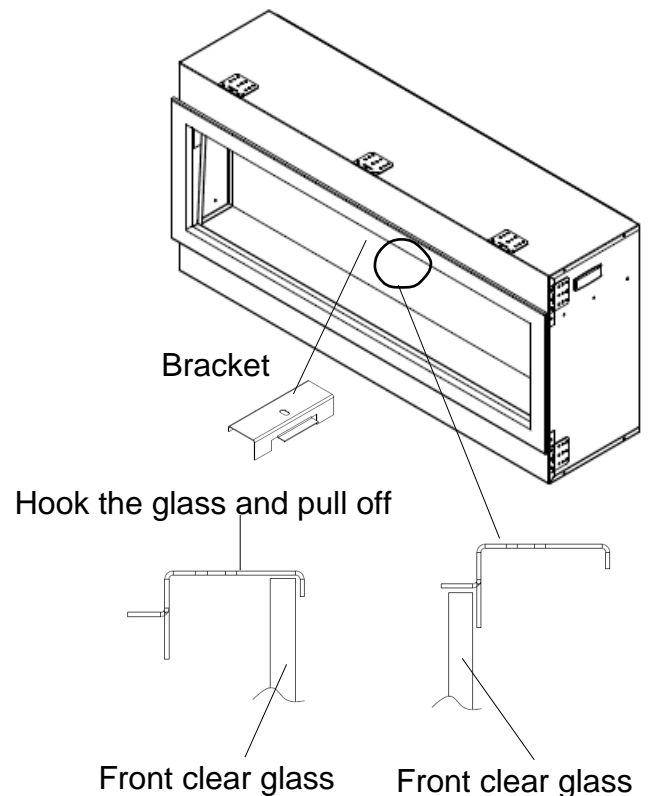


1. Take off the front clear glass.

There is a bracket which hold the front glass. It is show as left. Unscrew the screw and take off the bracket. Turn around and insert to the gap. It can hook the glass and pull out the glass.

2. Installing the fire glass media

Pour the fire glass media into the tray as shown below. Fee free to use any combination of fire glass media that you find most appealing.





The button located at the top position of the remote control is ON/OFF. Press it, the flame and ember will be on. The heater will be off. Press again, the fireplace will turn off.

“**DISPLAY ON/OFF**”: Switching the fireplace flame and tray light ON/OFF. It has functions of setting memory.

“**DISPLAY ORANGE** ”: Adjust the orange colour brightness of flame.

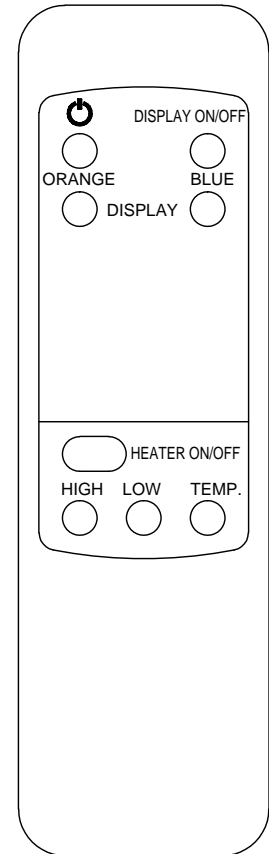
“**DISPLAY BLUE** ”: Adjust the blue colour brightness of flame.

“**HEATER ON/OFF**”: Switching the fireplace heater ON/OFF. It has functions of setting memory.

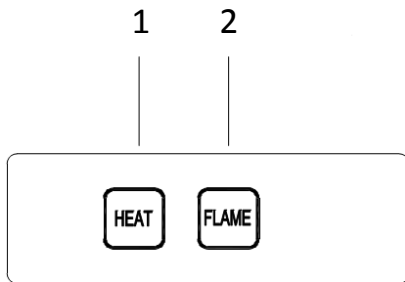
“**HIGH**”: The heater works at 1500W.

“**LOW**”: The heater works at 750W.

“**TEMP.**”: The heater keep working if the room temperature lower than 22°C. The heater not working if the room temperature higher than 25°C.



Main Unit Buttons Operations



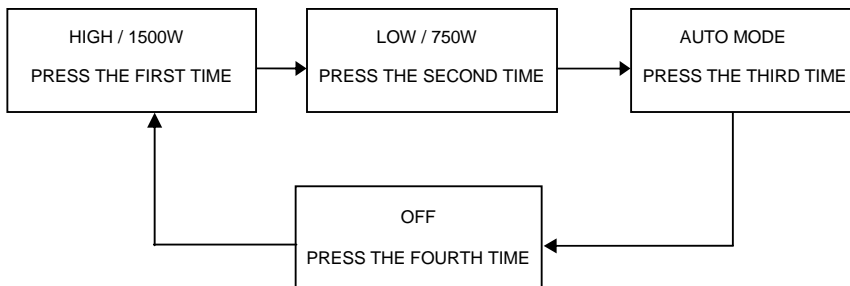
1. Heat control button

2. Flame control button

Plug the heater into a suitable outlet.

1) “Heat control button”

Press the HEAT button repeatedly to set the heater to the desired heat setting. The Heater will work on as shown below.



Auto Mode

In this mode the heater will automatically turn on and off. When the room temperature drops below 71° F. (22° C) the heater will turn on to the high heat setting (1500 watt). When the room temperature is between 71° and 77° F (22-25° C) the heater output will switch to low heat setting (750W). When the room temperature goes above 77° F (25° C) the heater will turn off.

2) “Flame control button”

Press the Flame brightness adjustment button to adjust the flame height and ember bed brightness. Press the FLAME control button to cycle through LO, MED, HI and OFF.

REPLACING THE REMOTE CONTROL BATTERY

When the remote control stops operating or its range seems reduced, it is time to replace the batteries with new ones. Remove the batteries if the remote control won't be used for a long period of time.

1. The battery compartment is located on the back end of the remote.
2. Press the small tab inward as you slide the battery door open and remove the old batteries.
3. Replace with (2) AAA batteries (not included), making sure the + and - sides of the battery match the inside of the battery compartment.
4. Replace the battery door.

CAUTION:

- Always purchase the correct size and grade of battery most suitable for the intended use.
- Replace all batteries of a set at the same time.
- Clean the battery contacts and also those of the device prior to battery installation.
- Ensure the batteries are installed correctly with regard to polarity (+ and -).
- Remove batteries from equipment which is not to be used for an extended period of time.
- Remove used batteries promptly.

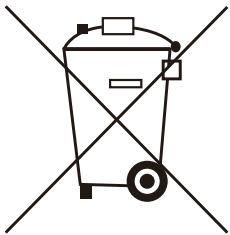
Note: Do not mix old and new batteries.

Do not mix alkaline, standard (carbonzinc), or rechargeable (nicad, nimh, etc) batteries.

Caution for Ingestion.

DISPOSAL OF USED BATTERIES

Batteries may contain hazardous substances which could be endangering to the environment and to human health.



This symbol marked on the battery and/or packaging indicates that used battery shall not be treated as municipal waste. Instead it shall be left at the appropriate collection point for recycling.

By ensuring used batteries are disposed of correctly, you will help to prevent potential negative consequences for the environment and human health. The recycling of materials will help to conserve natural resources.

For more information about collection and recycling of used batteries, please contact your local municipality or your waste disposal service.

Note: please operate remote transmitter at a slow measured pace. Press the remote control buttons with an even motion and gentle pressure. Repeatedly pressing buttons in rapid succession may cause the transmitter to Malfunction.

CARE AND MAINTENANCE

CLEARANCE TO COMBUSTIBLES

Keep electrical cords, drapery, furniture and other combustibles at least 3 ft. from the front of the heater and away from the sides.

CLEANING TRIM

Clean the metal trim using a soft cloth, slightly dampened with a citrus oil-based product and buff with a clean soft cloth. Do not use brass polish or household cleaners as these products will damage the metal trim. Citrus oil-based products can be obtained at supermarkets or hardware stores.



WARNING: Make sure the power is turned off before proceeding. Any electrical repairs or rewiring of this unit should be carried out by a licensed electrician in accordance with national and local codes.

If repairing or replacing any electrical component or wiring, the original wire routing, color coding and securing locations must be followed.



WARNING: Electrical outlet wiring must comply with local building codes and other applicable regulations to reduce the risk of fire, electrical shock and injury to persons.



WARNING: Do not use this fireplace if any part of it has been under water. Immediately call a qualified service technician to inspect the fireplace and replace any part of the electrical system.



WARNING: Disconnect power before attempting any maintenance or cleaning to reduce the risk of fire, electrical shock or personal injury.



WARNING: During any service of this appliance, the power to the unit must be turned off. First turn the main power switch to the OFF position. Then remove the electrical plug from the wall outlet.

FIREPLACE MAINTENANCE



WARNING:

Disconnect power before performing any maintenance or cleaning to reduce the risk of fire, electric shock or damage.

LED LIGHT BULB REPLACEMENT

LED light bulbs are to be replaced by the manufacturer, it's service agent or similar qualified person in order to avoid hazard.



WARNING:

Allow at least 5 minutes for LED bulbs to cool off before handling bulbs to avoid burns.

UNIT DISPOSAL

Do not dispose with other household wastes. To prevent possible harm to the environment or human health from uncontrolled waste disposal, recycle it responsibly to promote the sustainable reuse of material resources. Contact your local landfill for appropriate disposal instruction.

TROUBLE SHOOTING

WARNING

Disconnect power before performing any maintenance and allow to cool before servicing. Only a qualified service person should service and repair this electric appliance.

SYMPTOM	POSSIBLE CAUSES	CORRECTIVE ACTION
Fireplace doesn't work.	Fireplace inner temperature over heating or home circuit breaker has opened.	Reset switch by turning main power switch off and waiting five minutes, then turning it back on.
Flame is fixed (unmoving).	Wiring may be loose or the flame motor may be defective.	Call a qualified service technician. Inspect all wiring for loose connections. If the wire connections are good, replace the flame motor.
Dim or poorly visible flame or log set and ember is not glowing.	LED Light(s) burt out or wiring is loose.	Inspect all wiring for loose connections and repair or replace if necessary. Inspect light bulbs and replace if necessary.
Flame sputters. Remote Control does not work.	Flame motor is defective Low batteries. Unit switch and/or wall switch in "OFF" position.	Call a qualified service technician and replace flame motor. Replace AA batteries in remote control. If problem persists, there may have been a loss of power to the unit as a possible result from a power failure (i.E. Breaker tripped). Turn off main power on/off switch (see figure 4) and/or optional wall switch (if applicable).
Circuit Breaker trips or fuse blows when the unit is on.	Improper circuit current rating.	Call a qualified service technician. Check the house circuit to ensure it is on a dedicated circuit with proper amp. rating. If the circuit breaker continues to trip (or blown fuses), inspect wiring for a loose connection or a dead short. Repair or replace wiring and/or connectors as necessary.
Heater does not provide heat when turned on	Thermal switch has been tripped Circuit breaker has been tripped	Turn the unit off and unplug the unit for five minutes. Plug back in and turn the unit on. If plug can be reached, follow directions for tripped circuit breaker. Turn off circuit breaker that supplies electricity to the unit. Wait five minutes then flip circuit breaker back on.
Appliance turns off and will not turn on.	a. Appliance has overheated and saftey device has cause the thermal switch to disconnect. OR b. House circuit breaker has tripped.	a. Unplug the appliance, allow appliance to cool for 15 minutes, then plug back in. b. Reset the house circuit breaker
Appliance will not come on when switch is flipped to ON.	a. Appliance is not plugged into an eletrical outlet. OR b. Appliance has overheated and saftey device has cause the thermal switch to disconnect.	a. Check plug and plug it in. b. Unplug the appliance, allow appliance to cool for 15 minutes, then plug back in.

DEEP SERIES PART LIST

REF NO.	PART NO.	DESCRIPTION	REMAKR
1	602030C	BLOWER AND HEATER ASSEMBLY	FRT60420
2	601089E	CIRCUIT BOARD	LRC9-05
3	301506	REMOTE RECEIVER	
4	601140	LED STRIP FOR FLAME AND EMBER	LED-H20-1
5	601141	LED STRIP FOR FLAME AND EMBER	LED-H30-1
6	10105048	REMOTE	
7	10101201C	FLAME MOTOR	
8	10701165	FRONT CLEAR GLASS	BI -50-DEEP
9	10701166	FRONT CLEAR GLASS	BI -72-DEEP
10	10702151	MIRROR GLASS	BI -50-DEEP
11	10702153	MIRROR GLASS	BI -72-DEEP
12	357503	Flicker assembly	BI -50-DEEP
13	358503	Flicker assembly	BI -72-DEEP
14	357022	Back cloth	BI -50-DEEP
15	358022	Back cloth	BI -72-DEEP

SERVICE HISTORY

This heater must be serviced annually depending on usage.

Date	Dealer Name	service technician Name	service Performed	special Concerns

NOTES:

WARRANTY

Amantii Imports Corp. ("Amantii") warrants that your newly purchased Amantii electric fireplace is free from manufacturing and material defects for a period of one (1) year from the date of the first purchase, subject to the conditions and limitations contained below.

Warranty Application & Exclusions

This limited warranty applies to your newly purchased Amantii electric fireplace; the limited warranty's application is limited to purchases made in any province of Canada or in any of the 52 States of the United States of America, including the District of Columbia. Only the original purchaser of the product is eligible for coverage under this limited warranty; the warranty is not transferable.

Products excluded from this limited warranty

Light bulbs are not covered by this limited warranty and are the sole responsibility of the owner/purchaser.

Warranty Coverage and Team

Products covered by this limited warranty have been tested and inspected prior to shipment and, subject to the provisions of this warranty, Amantii warrants such products to be free from defects in material and workmanship for a period of one (1) year from the date of the first purchase of such products.

The limited one (1) year warranty period for products also applies to any implied warranties that may exist under applicable law. Some jurisdictions do not allow limitations on how long an implied warranty lasts, so the above limitation may not apply to the purchaser.

All other warranties - expressed or implied - with respect to the product, its components and accessories or any obligation/liabilities on the part of Amantii are hereby expressly excluded.

Limitations to Coverage Under Limited Warranty

This limited warranty does not apply to products that have been repaired, except by Amantii or its authorized service representatives, or otherwise altered. This limited warranty further does not apply to defects resulting from misuse, abuse, accident, neglect, incorrect installation, improper maintenance or handling, or operation with an incorrect power source.

Products made by other manufacturers, sold with the product or thereafter, are not covered by this limited warranty. The use of unauthorized components will render this warranty null and void.

Service Under Limited Warranty

Defects must be brought to the attention of Amantii Technical Service by contacting Amantii at (1-888-406-8764), or at # 502-1027 David Street Vancouver, BC V6E 4L2. Please have your proof of purchase, catalogue/model and serial numbers available when calling; any and all service under the limited warranty requires a proof of purchase of the product.

Defects

Should a product or part covered by this limited warranty be proven to be defective, in material or workmanship, and during the one (1) year limited warranty period, Amantii will replace such defective product or part without charge. If Amantii is unable to replace such product, or if replacement is not commercially practicable or cannot be timely done, in its sole discretion Amantii may, in lieu of replacement, choose to refund the purchase price for such product or part.

Limitations

In no event will Amantii, including without limitation any of its directors, officers, shareholders, employees, consultants, agents, heirs, executors, administrators and assigns, be liable to the purchaser or any third party, whether in contract, in tort, or on any other basis for any indirect, special, punitive, exemplary, consequential, or incidental loss, cost or damage arising out of or in connection with the sale, maintenance, use or inability to use the product, even if Amantii, including without limitation any of its directors, officers, shareholders, employees, consultants, agents, heirs, executors, administrators and assigns, have been advised of the possibility of such losses, costs or damages, or if such losses, costs or damages are foreseeable. In no event will Amantii, including without limitation any of its directors, officers, shareholders, employees, consultants, agents, heirs, executors, administrators and assigns, be liable for any direct losses, costs or damages that exceed the purchase price of the product.

Some jurisdictions do not allow the exclusion or limitation of incidental or consequential damages, so the above limitation or exclusion may not apply to the purchaser.

Application of Provincial and State law

This limited warranty gives you specific legal rights, and you may also have other rights which vary from jurisdiction to jurisdiction. The provisions of the United Nations Convention on Contracts for the Sale of Goods shall not apply to this limited warranty or the sale of products covered by this limited warranty.

General

Amantii reserves the right to make changes at any time without notice, in design, material, specifications, prices and the right to discontinue styles and products.

Amantii

ELECTRIC FIREPLACES

www.amantii.com

Date of Purchase:

Dealer Information: