



ELECTRIC FIREPLACES

INSTALLATION AND OPERATION INSTRUCTIONS FOR WALL- MOUNT AND BUILT- IN UNITS

WM-BI-2428-VLR

This manual will enable you to obtain a safe, efficient and dependable installation and operation of your electric fireplace. Please read and understand these instructions before beginning your installation.

Do not alter or modify this fireplace or its components under any circumstances. Any modification or alteration of the fireplace system, including but not limited to the fireplace and accessories, may void the warranty, listing and approvals of this system and could result in an unsafe and potentially dangerous installation.

Amantii electric fireplaces are designed for use as a decorative appliance and/or as a supplemental heater. They are not intended for continuous use as a primary heat source.

SAFETY INFORMATION
 WARNING
If the information in these instructions are not followed exactly, a fire or explosion may result causing property damage, personal injury or loss of life.
Do not store or use gasoline or other flammable vapors and liquids in the vicinity of this or any other appliance.



**INSTALLER: LEAVE THIS MANUAL WITH THE APPLIANCE.
CONSUMER: RETAIN THIS MANUAL FOR FUTURE REFERENCE.**

TABLE OF CONTENTS

CONGRATULATIONS!

In selecting this Amantii Wall Mount OR Built-in electric fireplace, you have chosen the finest and most dependable fireplace on the market today. A beautiful and functional addition to the finest homes. Welcome to the family of satisfied Amantii electric fireplace owners.

Please read and carefully follow all of the instruction sfound in this manual. Please pay special attention to the safety instructions provided in this manual. The instructions included here will as sure that you have many years of dependable and enjoyable service from your Amantii product.

Important instructions	Page 3
WM-BI-2428-VLR	Page 4
Installation Overview	Page 5
Package Contents	Page 6
Built-In Installation	Page 7
Wall Mount Installation	Page 8
Media options	Page 9
Decorative Media Installation	Page 9
Front Installation	Page 10
Operating the Unit	Page 11
Replacing The Remote Control Battery	Page 14
Care And Maintenance	Page 15
Fireplace Maintenance	Page 16
Trouble Shooting	Page 17
Service History	Page 18
Warranty	Page 19
Dealer Contact Information	Back Page

IMPORTANT INSTRUCTIONS

⚠ WARNING!

When using electrical appliances, basic precautions should always be followed to reduce the risk of fire, electric shock, and injury to persons, including the following:

1. Read all instructions before installing or using this heater.
2. This heater is hot when in use. To avoid burns, do not let bare skin touch hot surfaces. Keep combustible materials, such as furniture, pillows, bedding, papers, clothes, etc. and curtains at least 3 feet (0.9 m) from the front of the heater and keep them away from the sides and rear.
3. Extreme caution is necessary when any heater is used by or near children or invalids and whenever the heater is left operating and unattended.
4. Do not operate any heater after it malfunctions. Disconnect power at service panel and have heater inspected.
5. Do not use outdoors.
6. To disconnect heater, turn controls to off, and turn off power to heater circuit at main disconnect panel (or operate internal disconnect switch if provided).
7. Do not insert or allow foreign objects to enter any ventilation or exhaust opening as this may cause an electric shock or fire, or damage the heater.
8. To prevent a possible fire, do not block air intakes or exhaust in any manner.
9. A heater has hot and arcing or sparking parts inside. Do not use it in areas where gasoline, paint, or flammable vapors or liquids are used or stored.
10. Use this heater only as described in this manual. Any other use not recommended by the manufacturer may cause fire, electric shock, or injury to persons.
11. SAVE THESE INSTRUCTIONS.
12. Ensure clearances to combustibles are maintained when building a mantel or shelves above the appliance. Elevated temperatures on the wall or in the air above the appliance can cause melting, discolouration or damage to decorations, a T.V. or other electronic components.
13. Amantii reserves the right to update and change the specifications and instructions in this manual as needed. If in doubt, please visit our website at www.amantii.com for the most recent version of the manual.
14. To reduce the risk of fire, do not store or use gasoline or other flammable vapors and liquids in the vicinity of the heater.
15. See directions in Figure 1. This heater is for use on 120 volts. The cord has a plug as shown in figure 1. See Figure 1 for grounding instruction. An adapter as shown at C is available for connecting three-blade grounding type plugs to two-slot receptacles. The green grounding plug extending from the adapter must be connected to a permanent ground such as a properly grounded outlet box. The adapter should not be used if a three-slot grounded receptacle is available.

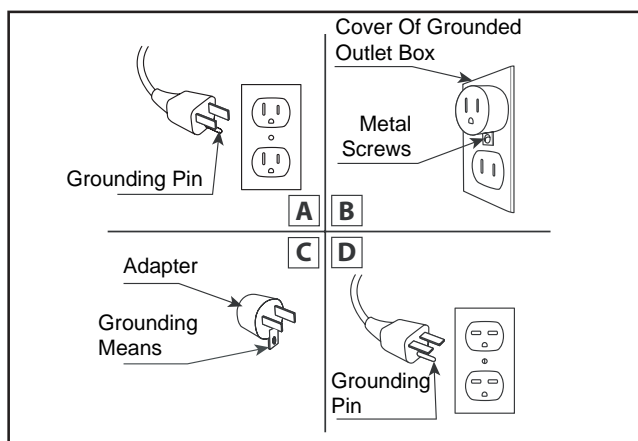


Fig. 1

SAVE THESE INSTRUCTIONS

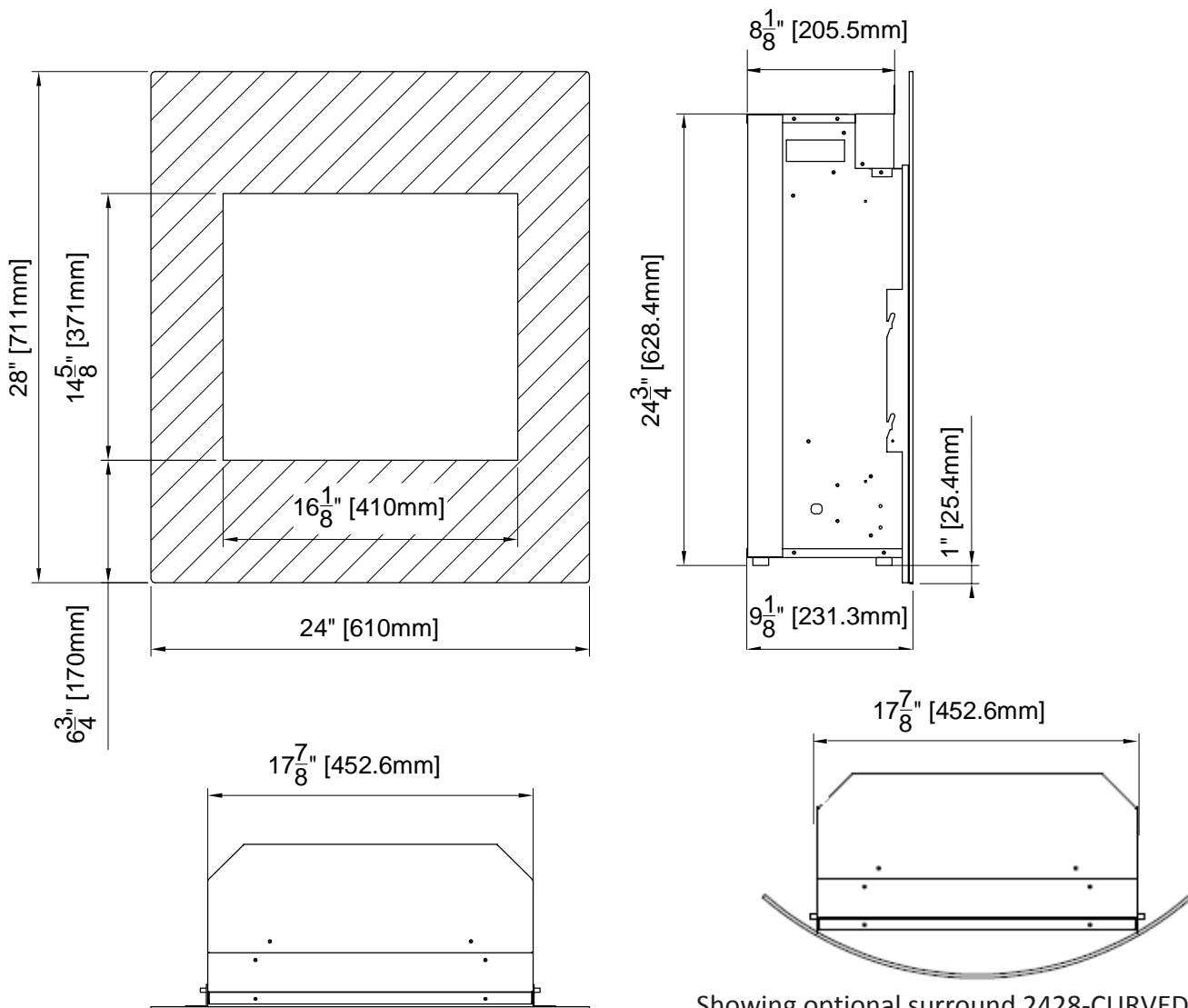
WM-BI-2428-VLR

Model Number		WM-BI-2428-VLR
Description		Built-In or Wall Mount Appliance
Voltage		120V AC, 60Hz
Amps		12A
Watts		1500W
HEATER	HIGH	1500W
	LOW	750W
NO HEATER		25W
MOTOR HEATER		15W
MOTOR FLAME		4W
Appliance Width		24" or 61cm
Appliance Height		28" or 71.1 cm
Appliance Depth		9 1/8" or 23.1 cm
Gross Weight		57.2 lbs or 26kg
Plug Location		Left side
Cord Length		74.81" or 190.00 cm
Rough Wall Opening Size		20" X 26" or 50.8 cm X 66 cm

This appliance has been tested in accordance with the UL Standard 2021 for fixed and location-dedicated electric room appliances in the United States and Canada. If you need assistance during installation, please contact your local dealer.

NOTE: This appliance must be electrically wired and grounded in accordance with local codes. In the absence of local codes, use the current CSA C22.1 Canadian Electrical Code in Canada or the ANSI/NFPA 70 National Electrical Code in the United States.

This appliance can be wall mounted on a flat wall, in a corner or built-in into a wall.



Showing optional surround 2428-CURVEDGLS

INSTALLATION OVERVIEW



SITE SELECTION

Your new fireplace may be wall mounted, installed into existing framing or built into a wall.

Review and consider all of the following conditions for installation:

- Dimensions of the unit
- Unit requires a minimum of two (2) wall studs in order to ensure a secure installation.

Two possible installation methods:

- Built-In (page 7)
- Wall Mount (Page 8)

Power supply Wire Gage		
Voltage	Wire Gage	Fuse
120 v	14 GA.	15 AMP

Wall switch / thermostat Wire Gage	
Voltage	Wire Gage
5 Volts	18 Gage

NOTE: A 15 Amp, 120 Volt circuit is required. A dedicated circuit is preferred but not essential in all cases.



WARNING:

Ensure the power cord is not installed so that it is pinched or against a sharp edge and ensure that the power cord is stored or secured to avoid tripping or snagging to reduce the risk of fire, electric shock or injury to persons.

Construction and electrical outlet wiring must comply with local building codes and other applicable regulations to reduce the risk of fire, electric shock and injury to persons.

To reduce the risk of fire, do not store or use gasoline or other flammable vapors and liquids in the vicinity of the heater.



NOTE: BEFORE YOU INSTALL

1. Select a location that is not susceptible to moisture, dust and is away from high traffic locations and things that many catch fire or block openings such as drapes, pillows, furniture etc.
2. For the best effect install the fireplace out of direct sunlight and away from overhead lighting.
3. If possible, select a location near an existing electrical outlet for ease of electrical hook up.
4. Remove fireplace, front, fireglass media, and all hardware from box and remove all packaging related materials prior to installation.
5. Plug in the unit, then press the POWER key on the unit or remote control. (ensure the batteries are installed to remote control.) After this, ensure the LED lights are working correctly.
6. Press ON/OFF key to close the unit, then pull the plug from the socket. Store the fireplace in a safe, dry and dust free location until you are ready to install the fireplace.

PACKAGING LIST

This assembled Electric fireplace is packaged with:

- One installation and Operation Manual
- One remote control
- Decorative media (See page 9)

TOOLS & BUILDING SUPPLIES NORMALLY REQUIRED

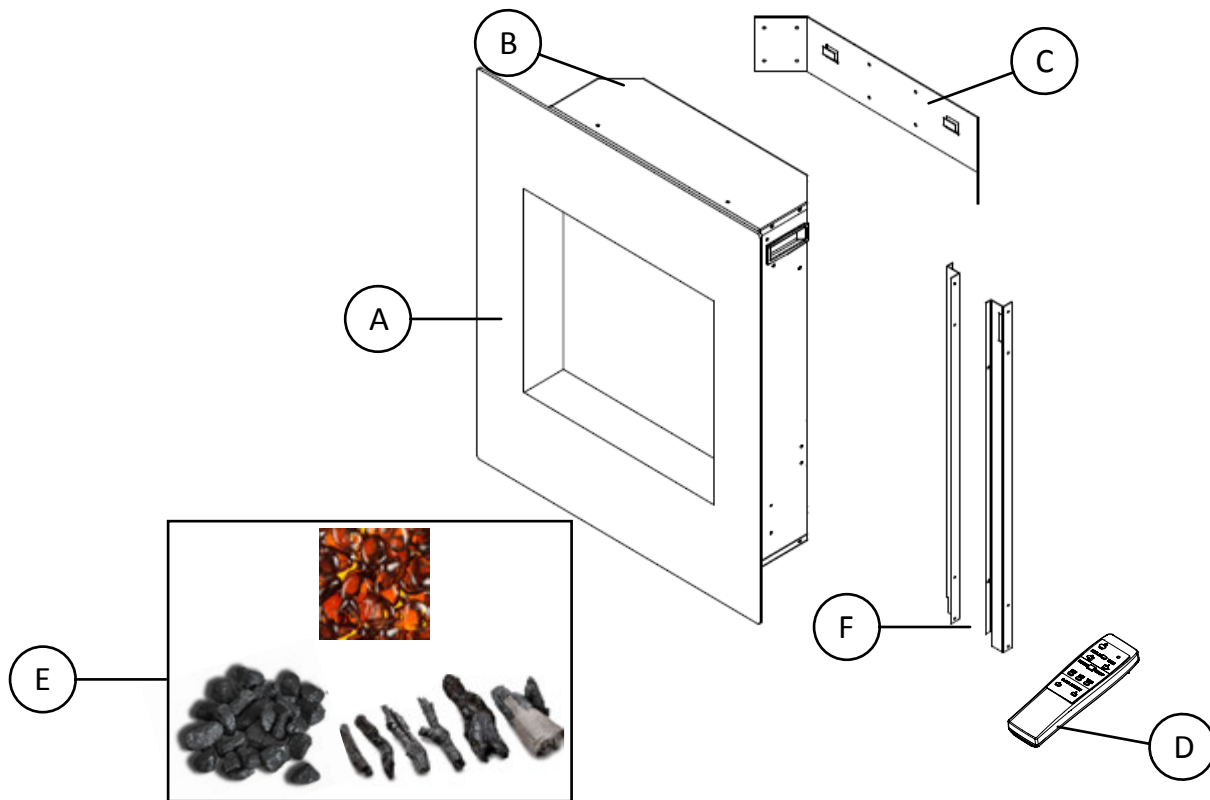
TOOLS:

- Phillips Screwdriver
- Hammer
- Saw and/or Saber Saw
- Level
- Measuring Tape
- Plum Line
- Electric Drill and Bits
- Pliers
- Square
- Gloves

BUILDING SUPPLIES

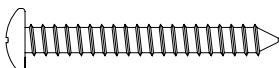
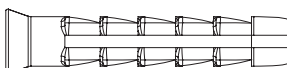

- Framing Materials
- Wall Finishing Materials
- Caulking Materials (noncumbustable)

PACKAGE CONTENTS



Part	Description	Quantity
A	Glass (Flat or curve)	1
B	Appliance	1
C	Wall bracket	1
D	Remote control	1
E	Decorative Meida	1
F	Brackets for Optional Surround	1

CONTENTS

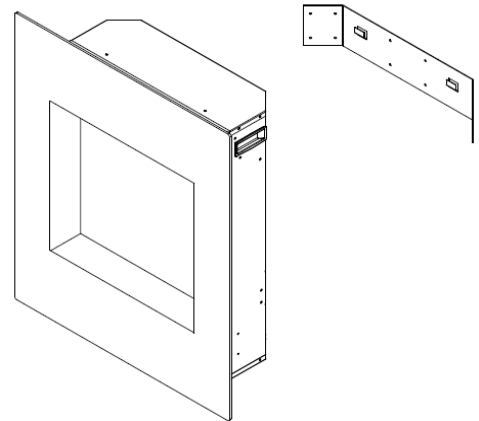
Part	Description	Quantity	Picture
A	Screw 0.16 in. x 1.0 in.	10	
B	Wall Plug 0.3 in. x 1.5 in.	10	
C	Wood Screw 0.16 in. x 0.6 in.	10	

FIREPLACE INSTALLATION - BUILT-IN

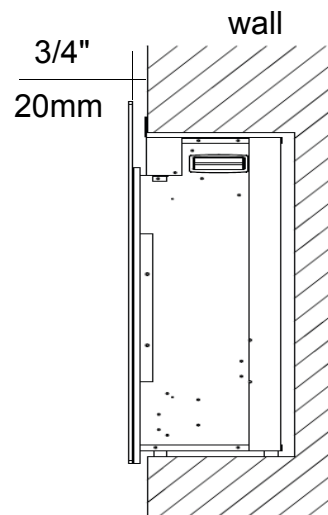
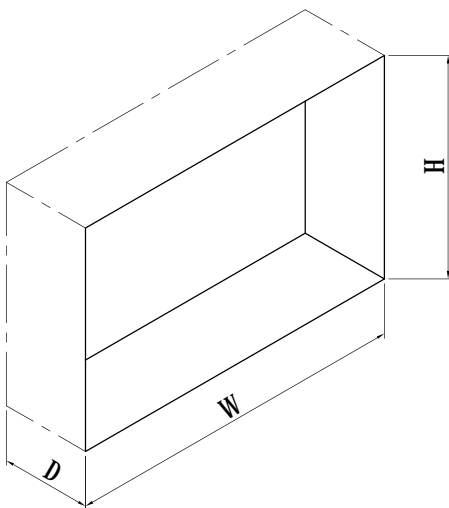


NOTE: BEFORE YOU INSTALL

- The WM-BI-2428-VLR can be built-in. See the next page for wall mount and corner mount instructions.
1. Lift fireplace and insert into opening. Adjust the unit to achieve the desired amount of depth.
 - 2. Make sure that the power supply port is not behind the wall.**
 3. Level the fireplace.
 4. Drive mounting screws into the mounting brackets (nailing flanges) on the unit and the wall studs.



The rough wall opening size of the fireplace.



	W (")	D (")	H (")
WM-BI-2428-VLR	20	9	26

FIREPLACE INSTALLATION - WALL MOUNT



NOTE: BEFORE YOU INSTALL

It is strongly recommended that the screws be screwed into the wall studs where possible. If the wall studs cannot be used, ensure that plastic anchors are used.

1. Affix the provided mounting bracket (as shown in right) to the flat wall or corner wall as your wish.

- Make sure it is level.

2. Lift fireplace unit and insert the stakes for hanging into the keyholes on the back of the unit.

3. Check the appliance for stability ensuring that the appliance will not pull free from the wall.

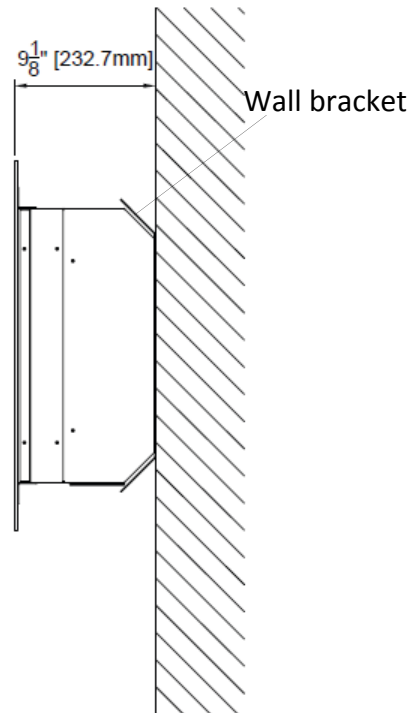
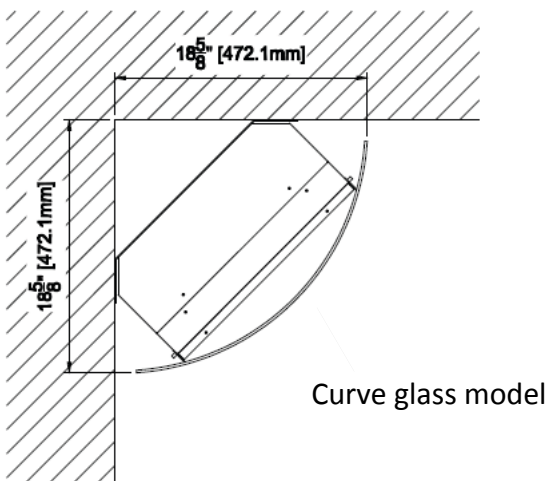
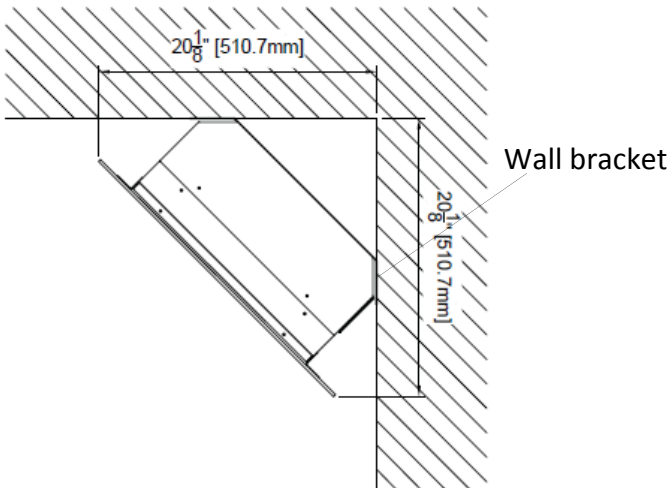
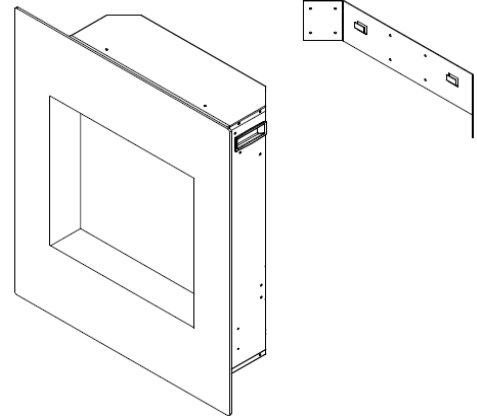
4. Drive mounting screws into the mounting bracket on the bottom of unit.

Mounting holes for flat mount.

Stakes for hanging.



Mounting holes for corner mount.



Media options



The WM-BI-2428--VLR comes with fire glass media, real coal and 6 piece log set.

See below for media installation instructions.



Sable



Real coal



6 piece log set

Decorative Media Installation



1. Installing the decorative media.

Pour the fire glass media into the tray as shown below. Feel free to use any combination of fire glass, coal or log set that you find most appealing.



FRONT INSTALLATION

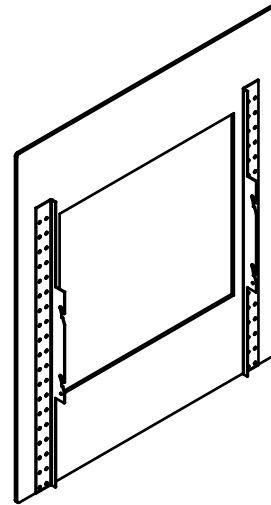


NOTE: BEFORE YOU INSTALL

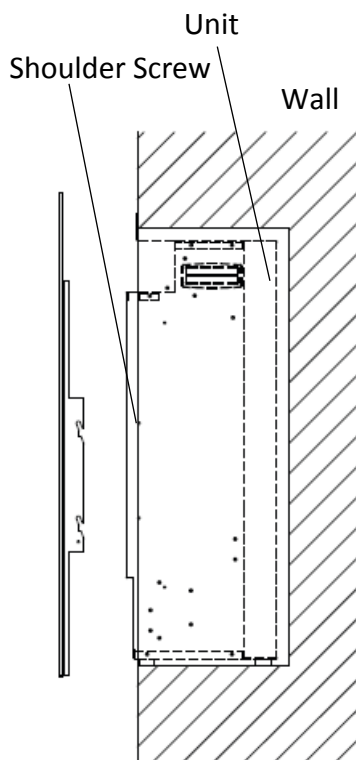
It is recommended that two people install the front onto the appliance, wear safety glasses and gloves when handling glass.

1. Lift fireplace front and line up the brackets with the four (4) shoulder screws on the side of appliance body

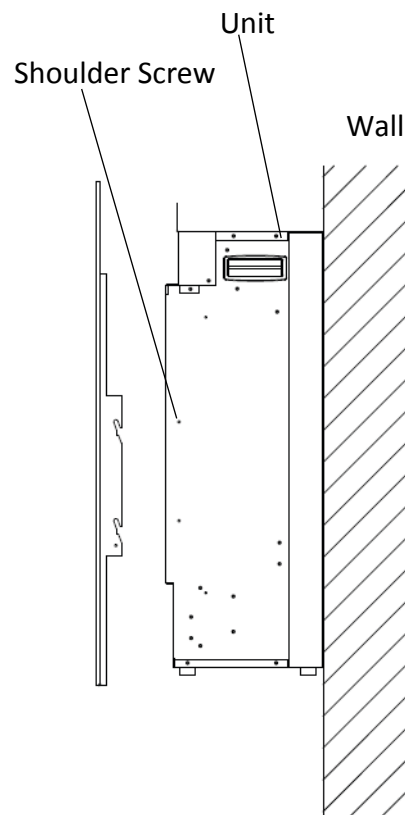
NOTE: Before you lift the front glass. Unscrew two screws on both side of the fireplace as below shown.



2. Attach the front to the unit.



Built-In Installation



Wall Mount Installation

OPERATING THE UNIT

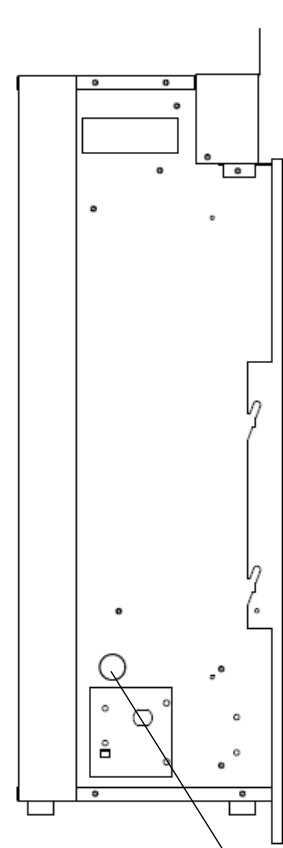


1. Make sure the appliance is switched OFF (refer to page 13 for instruction)
2. Attach the provided adaptor to the power port on the right hand side of the unit.
3. Plug unit into electrical outlet.

HARD-WIRE INSTALLATION

If it is necessary to hard wire this appliance, a qualified electrician may remove the cord connection, and wire the appliance directly to the house hold wiring.

1. Unscrew two screws shown in the below. Remove the cover plate and the power cord fix piece, remove power cord. Remove the knockout.
2. Attach the wiring to the junction block
3. Put the plate back and screw back.



Power adaptor port



Fix plate



WARNING:

Do not attempt to wire your own new outlets or circuits. To reduce the risk of injury, electric shock or fire, use a licensed electrician.

Appliance has overheated and safety device has caused the thermal switch to discount. Unplug the appliance, allow appliance to cool for 15 minutes, then plug back in.

Inspect for an objects on or adjacent to the heater that may have locked the airflow or otherwise caused high temperatures to have occurred.

OPERATING THE UNIT




A: Remote Operations

1. For the remote to function make sure the heater is plugged in and main power switch is turned on.

Note: The heater may release a slight odor the first time it is turned on. This is normal. The heating elements inside the heater will burn off any accumulated oils or dust during initial heating. This may also occur when dust accumulates on the heating elements over periods of non-use.

2. When operating the remote make sure to point the remote at the center of the fireplace insert. Each time you press a button on the remote the LED indicator on the top right of the remote should blink and the fireplace insert will "BEEP". If the LED fails to blink check the batteries. It takes up to one second for the fireplace insert to respond to the transmitter. DO NOT PRESS THE BUTTONS MORE THAN ONCE within two seconds. This allows the fireplace insert to respond to the remote.

3. Power on  button: The power – on button at top left corner of the remote is the main ON/ OFF power button. This will turn off all the functions (heater and display). If you turn the fireplace insert OFF, then ON, the fireplace insert will return to its last heater and display settings.

4. Flame Power On button " DISPLAY ON OFF ": This button controls both the ember and flame effect. Once the flame effect is ON use the + and – buttons as explained below to adjust the flame brightness as desired. Press this button again to turn OFF the flame effect.

a. The – or + buttons control the brightness of EMBER.

To increase the brightness of ember bed, press and release the + button. Each time you press this button the brightness will increase small amount, until the maximum is reached.

To decrease the brightness of ember bed, press and release the – button. Each time you press this button the brightness will decrease a small amount, until the minimum brightness is reached.

b. The FLAME INTENSITY– or + buttons control the brightness of FLAME.

To increase the brightness / flame Intensitypress and release the + buttonEach time you press button the brightness will increase by a small amount, until the maximum is reached.

To decrease the brightness / flame Intensitypress and release the – button Each time you press button the brightness will decrease by small amount, until the minimum brightness is reached. You can m ember and the flame to create a realistic flame effect.

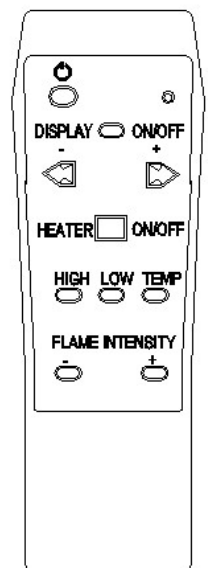
5. Heater " ON/OFF " button: Press this button to turn the heater ON. The heater will always start at high heat se 1500W. To turn the heater off press this button again.

HIGH button: Press the high button to switch the heater to high heat setting 1500W.

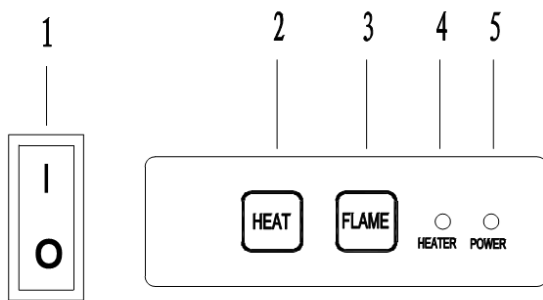
LOW button: Press the low button to switch the heater to LOW heat setting 750W.

TEMP button: Press the TEMP. button to switch the heater to AUTO mode. See page 15 for details.

6. To turn off the heater unit completely press the  button once.



B:Main Unit Buttons Operations



1. Power ON/OFF switch
2. Heat control button
3. Flame control button
4. HEATER LED
5. POWER LED

Plug the heater into a suitable outlet.

1) “Power ON/OFF”

Set this switch to position **I** to turn the product ON. Setting it to **O** to turn the product OFF. The POWER LED will be lit when the fireplace insert is on.

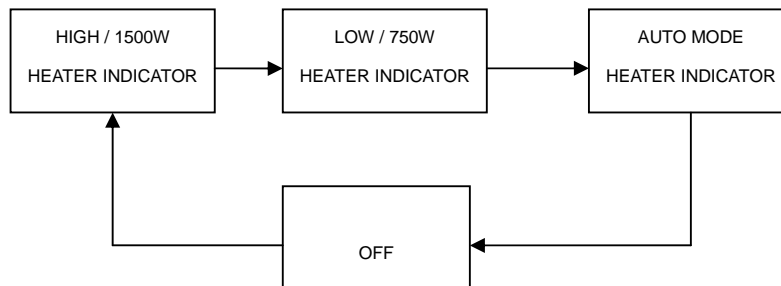
2) “Heat control button”

Press the HEAT button repeatedly to set the heater to the desired heat setting. The HEATER LED will indicate the current setting for the heater as shown below:

HEATER LED = Red = 1500W HEAT OUTPUT

HEATER LED = Blue = 750W HEAT OUTPUT

HEATER LED = Purple = AUTO MODE



Auto Mode

In this mode the heater will automatically turn on and off. When the room temperature drops below 71° F. (22° C) the heater will turn on to the high heat setting (1500 watt). When the room temperature is between 71° and 77° F (22-25° C) the heater output will switch to low heat setting (750W). When the room temperature goes above 77° F (25° C) the heater will turn off.

3) “Flame control button”

Press the Flame brightness adjustment button to adjust the flame height and ember bed brightness. Press the FLAME control button to cycle through LO, MED, HI and OFF.

REPLACING THE REMOTE CONTROL BATTERY

When the remote control stops operating or its range seems reduced, it is time to replace the batteries with new ones. Remove the batteries if the remote control won't be used for a long period of time.

1. The battery compartment is located on the back end of the remote.
2. Press the small tab inward as you slide the battery door open and remove the old batteries.
3. Replace with (2) AAA batteries (not included), making sure the + and - sides of the battery match the inside of the battery compartment.
4. Replace the battery door.

CAUTION:

- Always purchase the correct size and grade of battery most suitable for the intended use.
- Replace all batteries of a set at the same time.
- Clean the battery contacts and also those of the device prior to battery installation.
- Ensure the batteries are installed correctly with regard to polarity (+ and -).
- Remove batteries from equipment which is not to be used for an extended period of time.
- Remove used batteries promptly.

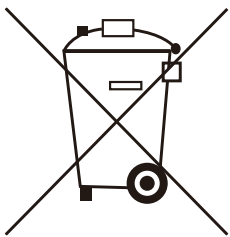
Note: Do not mix old and new batteries.

Do not mix alkaline, standard (carbonzinc), or rechargeable (nicad, nimh, etc) batteries.

Caution for Ingestion.

DISPOSAL OF USED BATTERIES

Batteries may contain hazardous substances which could be endangering to the environment and to human health.



This symbol marked on the battery and/or packaging indicates that used battery shall not be treated as municipal waste. Instead it shall be left at the appropriate collection point for recycling.

By ensuring used batteries are disposed of correctly, you will help to prevent potential negative consequences for the environment and human health. The recycling of materials will help to conserve natural resources.

For more information about collection and recycling of used batteries, please contact your local municipality or your waste disposal service.

Note: please operate remote transmitter at a slow measured pace. Press the remote control buttons with an even motion and gentle pressure. Repeatedly pressing buttons in rapid succession may cause the transmitter to Malfunction.

CARE AND MAINTENANCE

CLEARANCE TO COMBUSTIBLES

Keep electrical cords, drapery, furniture and other combustibles at least 3 ft. from the front of the heater and away from the sides.

CLEANING TRIM

Clean the metal trim using a soft cloth, slightly dampened with a citrus oil-based product and buff with a clean soft cloth. Do not use brass polish or household cleaners as these products will damage the metal trim. Citrus oil-based products can be obtained at supermarkets or hardware stores.



WARNING: Make sure the power is turned off before proceeding. Any electrical repairs or rewiring of this unit should be carried out by a licensed electrician in accordance with national and local codes.

If repairing or replacing any electrical component or wiring, the original wire routing, color coding and securing locations must be followed.



WARNING: Electrical outlet wiring must comply with local building codes and other applicable regulations to reduce the risk of fire, electrical shock and injury to persons.



WARNING: Do not use this fireplace if any part of it has been under water. Immediately call a qualified service technician to inspect the fireplace and replace any part of the electrical system.



WARNING: Disconnect power before attempting any maintenance or cleaning to reduce the risk of fire, electrical shock or personal injury.



WARNING: During any service of this appliance, the power to the unit must be turned off. First turn the main power switch to the OFF position. Then remove the electrical plug from the wall outlet.

FIREPLACE MAINTENANCE



WARNING:

Disconnect power before performing any maintenance or cleaning to reduce the risk of fire, electric shock or damage.

LED LIGHT BULB REPLACEMENT

LED light bulbs are to be replaced by the manufacturer, it's service agent or similar qualified person in order to avoid hazard.



WARNING:

Allow at least 5 minutes for LED bulbs to cool off before handling bulbs to avoid burns.

UNIT DISPOSAL

Do not dispose with other household wastes. To prevent possible harm to the environment or human health from uncontrolled waste disposal, recycle it responsibly to promote the sustainable reuse of material resources. Contact your local landfill for appropriate disposal instruction.

TROUBLE SHOOTING

WARNING

Disconnect power before performing any maintenance and allow to cool before servicing. Only a qualified service person should service and repair this electric appliance.

SYMPTOM	POSSIBLE CAUSES	CORRECTIVE ACTION
Fireplace doesn't work.	Fireplace inner temperature over heating or home circuit breaker has opened.	Reset switch by turning main power switch off and waiting five minutes, then turning it back on.
Flame is fixed (unmoving).	Wiring may be loose or the flame motor may be defective.	Call a qualified service technician. Inspect all wiring for loose connections. If the wire connections are good, replace the flame motor.
Dim or poorly visible flame or log set and ember is not glowing.	LED Light(s) burt out or wiring is loose.	Inspect all wiring for loose connections and repair or replace if necessary. Inspect light bulbs and replace if necessary.
Flame sputters. Remote Control does not work.	Flame motor is defective Low batteries. Unit switch and/or wall switch in "OFF" position.	Call a qualified service technician and replace flame motor. Replace AA batteries in remote control. If problem persists, there may have been a loss of power to the unit as a possible result from a power failure (i.E. Breaker tripped). Turn off main power on/off switch (see figure 4) and/or optional wall switch (if applicable).
Circuit Breaker trips or fuse blows when the unit is on.	Improper circuit current rating.	Call a qualified service technician. Check the house circuit to ensure it is on a dedicated circuit with proper amp. rating. If the circuit breaker continues to trip (or blown fuses), inspect wiring for a loose connection or a dead short. Repair or replace wiring and/or connectors as necessary.
Heater does not provide heat when turned on	Thermal switch has been tripped Circuit breaker has been tripped	Turn the unit off and unplug the unit for five minutes. Plug back in and turn the unit on. If plug can be reached, follow directions for tripped circuit breaker. Turn off circuit breaker that supplies electricity to the unit. Wait five minutes then flip circuit breaker back on.
Appliance turns off and will not turn on.	a. Appliance has overheated and saftey device has cause the thermal switch to disconnect. OR b. House circuit breaker has tripped.	a. Unplug the appliance, allow appliance to cool for 15 minutes, then plug back in. b. Reset the house circuit breaker
Appliance will not come on when switch is flipped to ON.	a. Appliance is not plugged into an eletrical outlet. OR b. Appliance has overheated and saftey device has cause the thermal switch to disconnect.	a. Check plug and plug it in. b. Unplug the appliance, allow appliance to cool for 15 minutes, then plug back in.

WARRANTY

Amantii Imports Corp. ("Amantii") warrants that your newly purchased Amantii electric fireplace is free from manufacturing and material defects for a period of one (1) year from the date of the first purchase, subject to the conditions and limitations contained below.

Warranty Application & Exclusions

This limited warranty applies to your newly purchased Amantii electric fireplace; the limited warranty's application is limited to purchases made in any province of Canada or in any of the 52 States of the United States of America, including the District of Columbia. Only the original purchaser of the product is eligible for coverage under this limited warranty; the warranty is not transferable.

Products excluded from this limited warranty

Light bulbs are not covered by this limited warranty and are the sole responsibility of the owner/purchaser.

Warranty Coverage and Team

Products covered by this limited warranty have been tested and inspected prior to shipment and, subject to the provisions of this warranty, Amantii warrants such products to be free from defects in material and workmanship for a period of one (1) year from the date of the first purchase of such products.

The limited one (1) year warranty period for products also applies to any implied warranties that may exist under applicable law. Some jurisdictions do not allow limitations on how long an implied warranty lasts, so the above limitation may not apply to the purchaser.

All other warranties - expressed or implied - with respect to the product, its components and accessories or any obligation/liabilities on the part of Amantii are hereby expressly excluded.

Limitations to Coverage Under Limited Warranty

This limited warranty does not apply to products that have been repaired, except by Amantii or its authorized service representatives, or otherwise altered. This limited warranty further does not apply to defects resulting from misuse, abuse, accident, neglect, incorrect installation, improper maintenance or handling, or operation with an incorrect power source.

Products made by other manufacturers, sold with the product or thereafter, are not covered by this limited warranty. The use of unauthorized components will render this warranty null and void.

Service Under Limited Warranty

Defects must be brought to the attention of Amantii Technical Service by contacting Amantii at (1-888-406-8764), or at #1503-7088 18th Avenue, Burnaby, British Columbia, Canada, V3N 0A2. Please have your proof of purchase, catalogue/model and serial numbers available when calling; any and all service under the limited warranty requires a proof of purchase of the product.

Defects

Should a product or part covered by this limited warranty be proven to be defective, in material or workmanship, and during the one (1) year limited warranty period, Amantii will replace such defective product or part without charge. If Amantii is unable to replace such product, or if replacement is not commercially practicable or cannot be timely done, in its sole discretion Amantii may, in lieu of replacement, choose to refund the purchase price for such product or part.

Limitations

In no event will Amantii, including without limitation any of its directors, officers, shareholders, employees, consultants, agents, heirs, executors, administrators and assigns, be liable to the purchaser or any third party, whether in contract, in tort, or on any other basis for any indirect, special, punitive, exemplary, consequential, or incidental loss, cost or damage arising out of or in connection with the sale, maintenance, use or inability to use the product, even if Amantii, including without limitation any of its directors, officers, shareholders, employees, consultants, agents, heirs, executors, administrators and assigns, have been advised of the possibility of such losses, costs or damages, or if such losses, costs or damages are foreseeable. In no event will Amantii, including without limitation any of its directors, officers, shareholders, employees, consultants, agents, heirs, executors, administrators and assigns, be liable for any direct losses, costs or damages that exceed the purchase price of the product.

Some jurisdictions do not allow the exclusion or limitation of incidental or consequential damages, so the above limitation or exclusion may not apply to the purchaser.

Application of Provincial and State law

This limited warranty gives you specific legal rights, and you may also have other rights which vary from jurisdiction to jurisdiction. The provisions of the United Nations Convention on Contracts for the Sale of Goods shall not apply to this limited warranty or the sale of products covered by this limited warranty.

General

Amantii reserves the right to make changes at any time without notice, in design, material, specifications, prices and the right to discontinue styles and products.

Amantii

ELECTRIC FIREPLACES

www.amantii.com

Date of Purchase:

Dealer Information: