



ELECTRIC FIREPLACES

**INSTALLATION AND
OPERATING INSTRUCTIONS FOR
BUILT-IN UNITS
WM-BI-28-3421, WM-BI-43-5123, WM-BI-58-6421,
WM-BI-76-8221, WM-BI-106-11524**

This manual will enable you to obtain a safe, efficient and dependable installation and operation of your electric fireplace. Please read and understand these instructions before beginning your installation.

Do not alter or modify this fireplace or its components under any circumstances. Any modification or alteration of the fireplace system, including but not limited to the fireplace and accessories, may void the warranty, listing and approvals of this system and could result in an unsafe and potentially dangerous installation.

Amantii electric fireplaces are designed for use as a decorative appliance and/or as a supplemental heater. They are not intended for continuous use as a primary heat source.

SAFETY INFORMATION
 WARNING
If the information in these instructions are not followed exactly, a fire or explosion may result causing property damage, personal injury or loss of life.
Do not store or use gasoline or other flammable vapors and liquids in the vicinity of this or any other appliance.



**INSTALLER: LEAVE THIS MANUAL WITH THE APPLIANCE.
CONSUMER: RETAIN THIS MANUAL FOR FUTURE REFERENCE.**



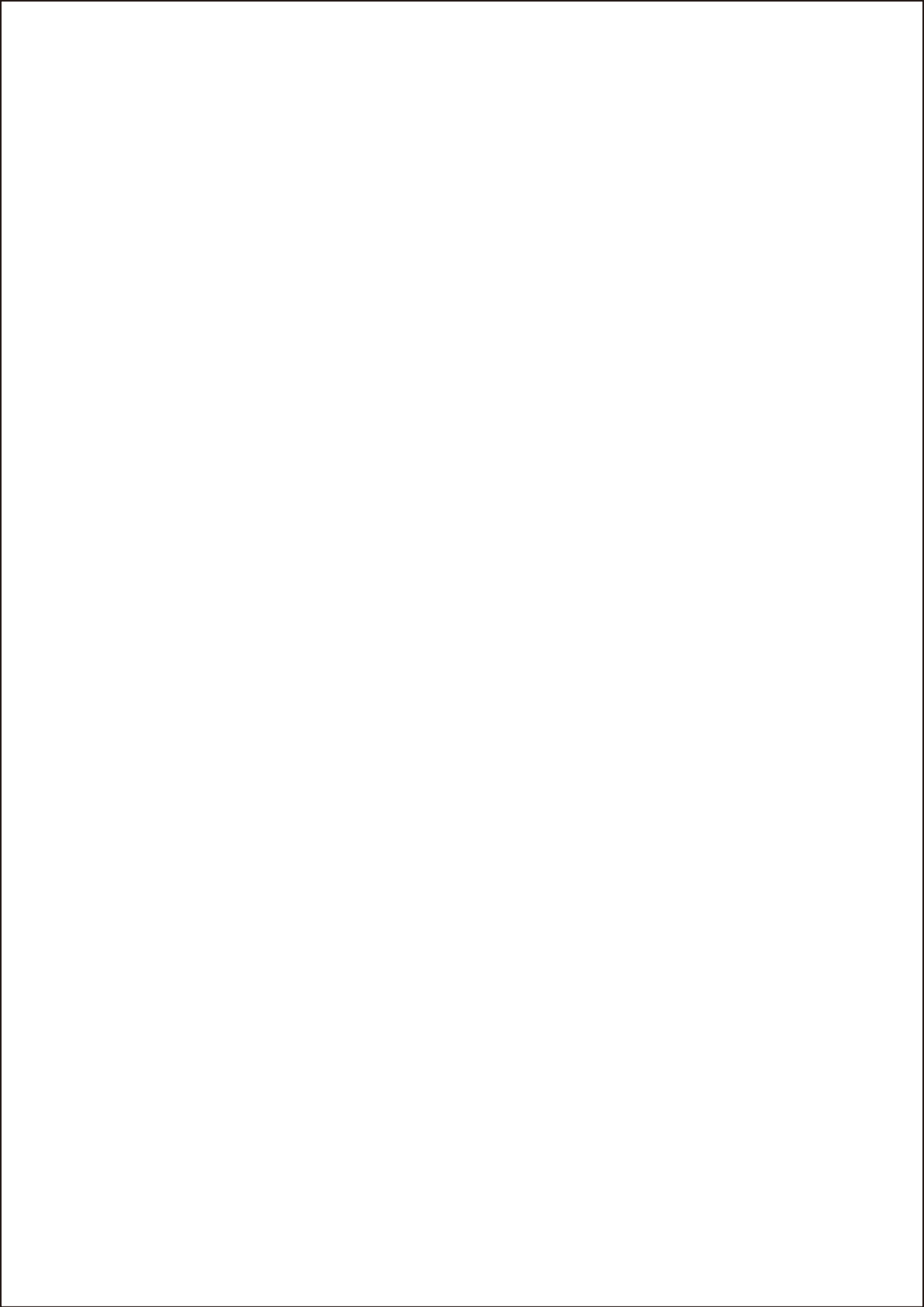


TABLE OF CONTENTS

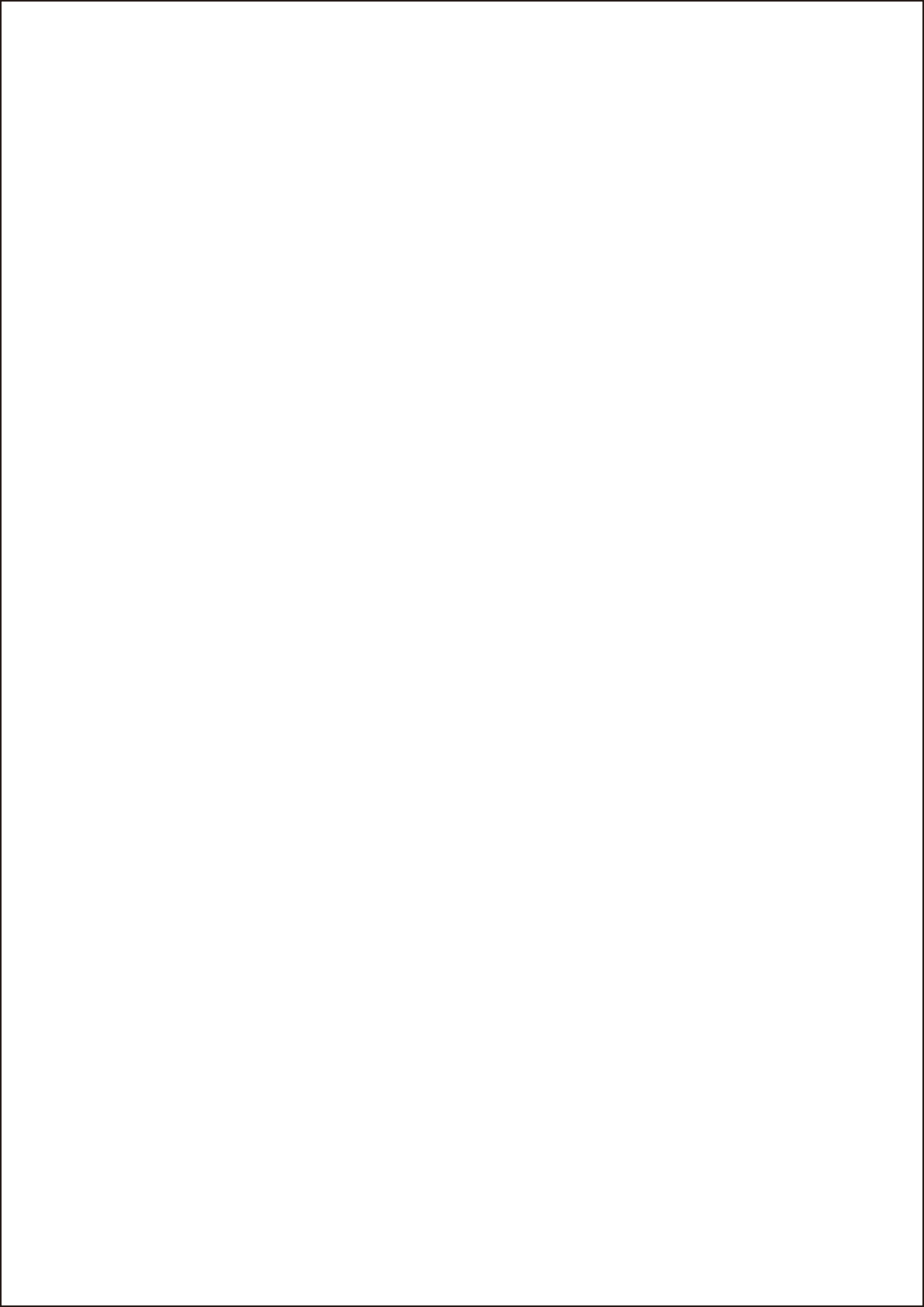
CONGRATULATIONS!

In selecting this Amantii Wall Mount OR Built-In electric fireplace, you have chosen the finest and most dependable fireplace on the market today. A beautiful and functional addition to the finest homes. Welcome to the family of satisfied Amantii electric fireplace owners.

Please read and carefully follow all of the instructions found in this manual. Please pay special attention to the safety instructions provided in this manual. The instructions included here will assure that you have many years of dependable and enjoyable service from your Amantii product.

Important Instructions	Page 3
WM-BI-28-3421	Page 4
WM-BI-43-5123	Page 5
WM-BI-43-5123	Page 6
WM-BI-58-6421	Page 7
WM-BI-76-8221	Page 8
WM-BI-106-11524	Page 9
Installation Overview	Page 10
Package Contents	Page 12
Built-In Installation	Page 13
Wall Mount Installation	Page 15
Fire Glass Media Installation	Page 16
Front Installation	Page 17
Operating the Unit	Page 18
Replacing The Remote Control Battery	Page 22
Care And Maintenance	Page 23
Fireplace Maintenance	Page 24
Trouble Shooting	Page 25
Service History	Page 26
Warranty	Page 27
Dealer Contact Information	Back Page





IMPORTANT INSTRUCTIONS

⚠ WARNING!

When using electrical appliances, basic precautions should always be followed to reduce the risk of fire, electric shock, and injury to persons, including the following:

1. Read all instructions before installing or using this heater.
2. This heater is hot when in use. To avoid burns, do not let bare skin touch hot surfaces. Keep combustible materials, such as furniture, pillows, bedding, papers, clothes, etc. and curtains at least 3 feet (0.9 m) from the front of the heater and keep them away from the sides and rear.
3. Extreme caution is necessary when any heater is used by or near children or invalids and whenever the heater is left operating and unattended.
4. Do not operate any heater after it malfunctions. Disconnect power at service panel and have heater inspected.
5. Do not use outdoors.(Omitted if the heater is intended for outdoor use.)
6. To disconnect heater, turn controls to off, and turn off power to heater circuit at main disconnect panel (or operate internal disconnect switch if provided).
7. Do not insert or allow foreign objects to enter any ventilation or exhaust opening as this may cause an electric shock or fire, or damage the heater.
8. To prevent a possible fire, do not block air intakes or exhaust in any manner.
9. A heater has hot and arcing or sparking parts inside. Do not use it in areas where gasoline, paint, or flammable vapors or liquids are used or stored.
10. Use this heater only as described in this manual. Any other use not recommended by the manufacturer may cause fire, electric shock, or injury to persons.
11. SAVE THESE INSTRUCTIONS.
12. Ensure clearances to combustibles are maintained when building a mantel or shelves above the appliance. Elevated temperatures on the wall or in the air above the appliance can cause melting, discolouration or damage to decorations, a T.V. or other electronic components.
13. Amantii reserves the right to update and change the specifications and instructions in this manual as needed. If in doubt, please visit our website at www.amantii.com for the most recent version of the manual.
14. To reduce the risk of fire, do not store or use gasoline or other flammable vapors and liquids in the vicinity of the heater.
15. See directions in Figure 1. This heater is for use on 120 volts. The cord has a plug as shown in figure 1. See Figure 1 for grounding instruction. An adapter as shown at C is available for connecting three-blade grounding type plugs to two-slot receptacles. The green grounding plug extending from the adapter must be connected to a permanent ground such as a properly grounded outlet box. The adapter should not be used if a three-slot grounded receptacle is available.
16. This heater includes a visual alarm to warn that parts of the heater are getting excessively hot. If the alarm illuminates, immediately unplug the heater and inspect for an object on or adjacent to the heater that may have blocked the airflow or otherwise caused high temperatures to have occurred. DO NOT OPERATE THE HEATER WITH THE ALARM ILLUMINATION.

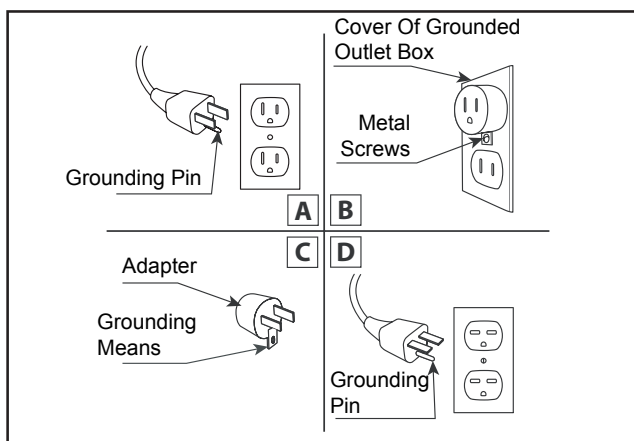


Fig. 1

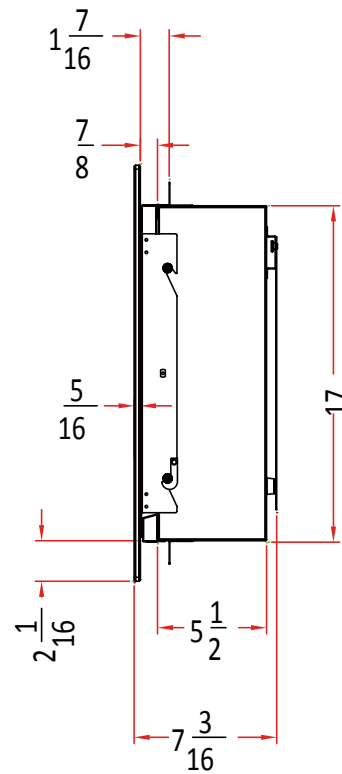
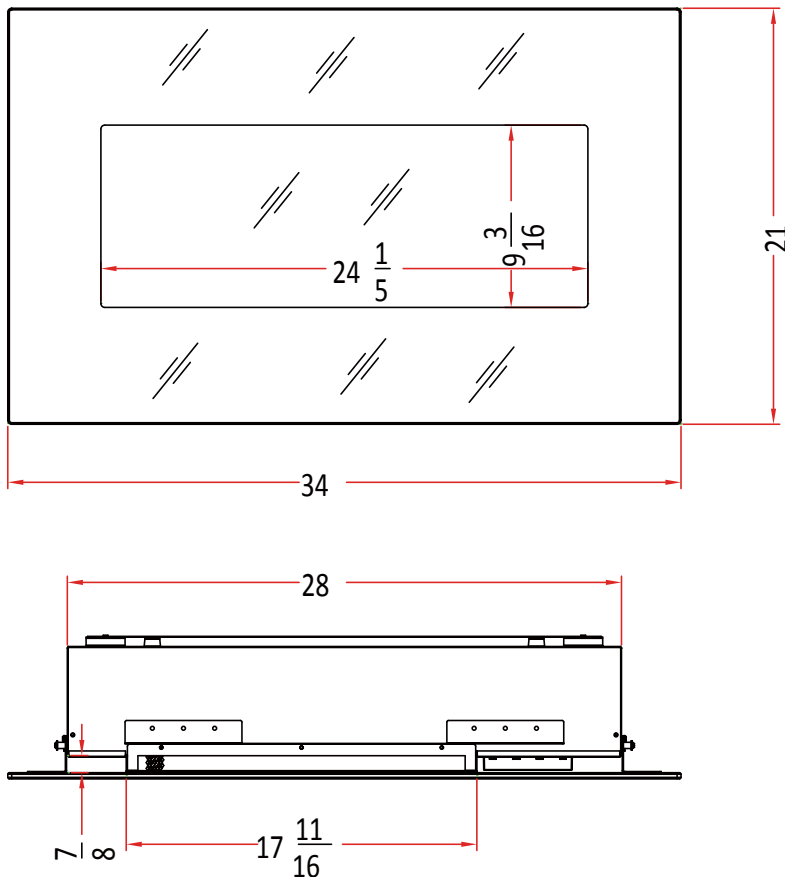
SAVE THESE INSTRUCTIONS

WM-BI-28-3421

Model Number		WM-BI-28-3421
Description		Built-In Appliance
Voltage		120V AC,60Hz
Amps		11.7A
Watts		1400W
HEATER	HIGH	1350W
	LOW	675W
NO HEATER		15W
MOTOR HEATER		14.5W
MOTOR FLAME		4W
Appliance Width (Glass & Stone)		28" or 71.50 cm
Appliance Height (Glass & Stone)		17" or 43.00 cm
Appliance Depth Glass Models		5 1/2" or 14.00 cm
Appliance Depth Stone Models		7 3/16" or 18.30 cm
Gross Weight Glass Models		46.76 lbs or 21.21kg
Gross Weight Stone Models		47.71 lbs or 21.64 kg
Plug Location		Right side
Cord Length		74.81" or 190.00 cm
Rough Wall Opening Size		31" x 17.5" or 78.70cm x 44.40cm

This appliance has been tested in accordance with the UL Standard 2021 for fixed and location-dedicated electric room appliances in the United States and Canada. If you need assistance during installation, please contact your local dealer.

NOTE: This appliance must be electrically wired and grounded in accordance with local codes. In the absence of local codes, use the current CSA C22.1 Canadian Electrical Code in Canada or the ANSI/NFPA 70 National Electrical Code in the United States.

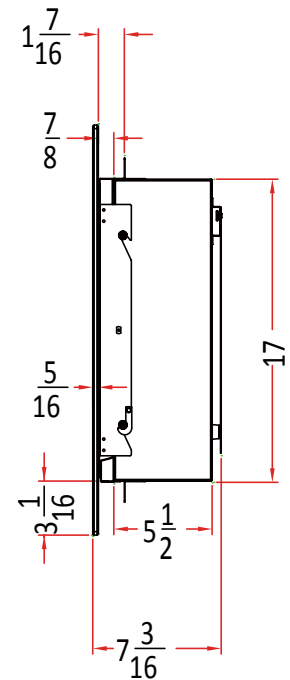
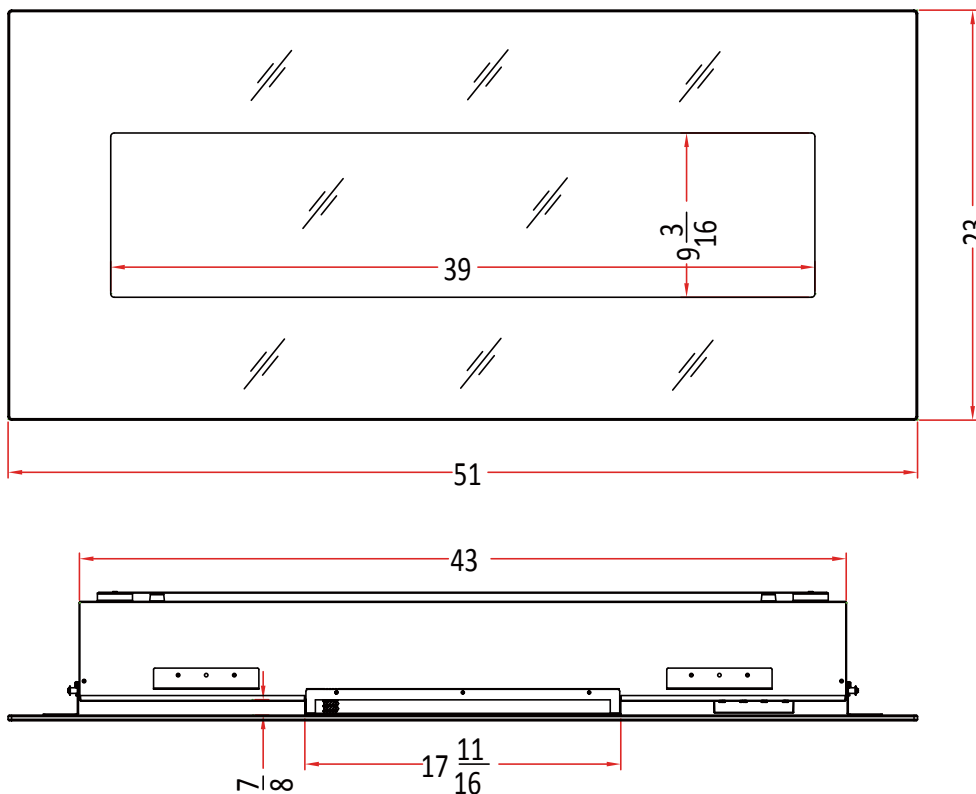


WM-BI-43-5123

Model Number		WM-BI-43-5123
Description		Built-In Appliance
Voltage		120V AC,60Hz
Amps		11.7A
Watts		1400W
HEATER	HIGH	1350W
	LOW	675W
NO HEATER		23W
MOTOR HEATER		14.5W
MOTOR FLAME		4W
Appliance Width (Glass & Stone)		43" or 109.30 cm
Appliance Height (Glass & Stone)		17" or 43.00 cm
Appliance Depth Glass Models		5 1/2" or 14.00 cm
Appliance Depth Stone Models		7 3/16" or 18.30 cm
Gross Weight Glass Models		70.00 lbs or 31.75kg
Gross Weight Stone Models		71.43 lbs or 32.4 kg
Plug Location		Right side
Cord Length		74.81" or 190.00 cm
Rough Wall Opening Size		46" x 17.5" or 116.80cm x 44.40cm

This appliance has been tested in accordance with the UL Standard 2021 for fixed and location-dedicated electric room appliances in the United States and Canada. If you need assistance during installation, please contact your local dealer.

NOTE: This appliance must be electrically wired and grounded in accordance with local codes. In the absence of local codes, use the current CSA C22.1 Canadian Electrical Code in Canada or the ANSI/NFPA 70 National Electrical Code in the United States.

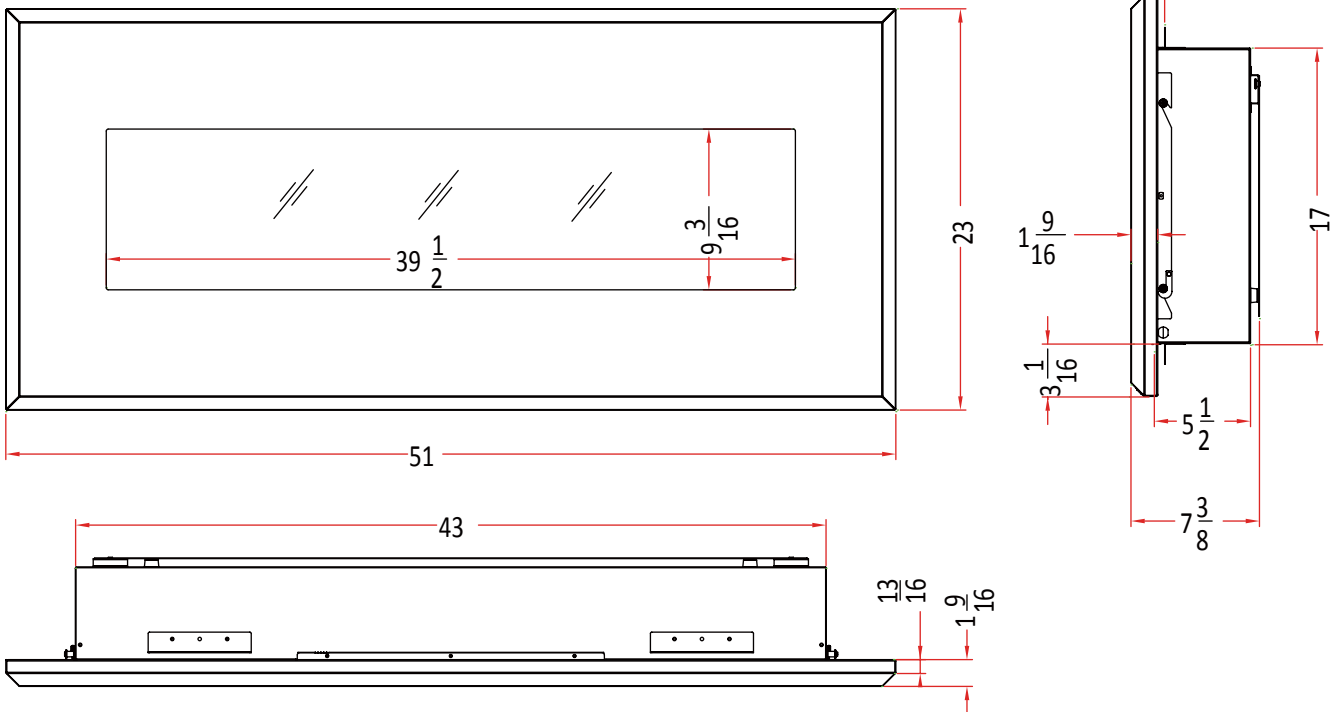


WM-BI-43-5123

Model Number		WM-BI-43-5123
Description		Built-In Appliance
Voltage		120V AC,60Hz
Amps		11.7A
Watts		1400W
HEATER	HIGH	1350W
	LOW	675W
NO HEATER		23W
MOTOR HEATER		14.5W
MOTOR FLAME		4W
Appliance Width (Glass & Stone)		43" or 109.20 cm
Appliance Height (Glass & Stone)		17" or 43.00 cm
Appliance Depth Glass Models		5 1/2" or 14.00 cm
Appliance Depth Stone Models		7 3/8" or 18.70 cm
Gross Weight Glass Models		59.79 lbs or 27.12kg
Gross Weight Stone Models		61.22 lbs or 27.77 kg
Plug Location		Right side
Cord Length		74.81" or 190.00 cm
Rough Wall Opening Size		46" x 17.5" or 116.80cm x 44.40cm

This appliance has been tested in accordance with the UL Standard 2021 for fixed and location-dedicated electric room appliances in the United States and Canada. If you need assistance during installation, please contact your local dealer.

NOTE: This appliance must be electrically wired and grounded in accordance with local codes. In the absence of local codes, use the current CSA C22.1 Canadian Electrical Code in Canada or the ANSI/NFPA 70 National Electrical Code in the United States.

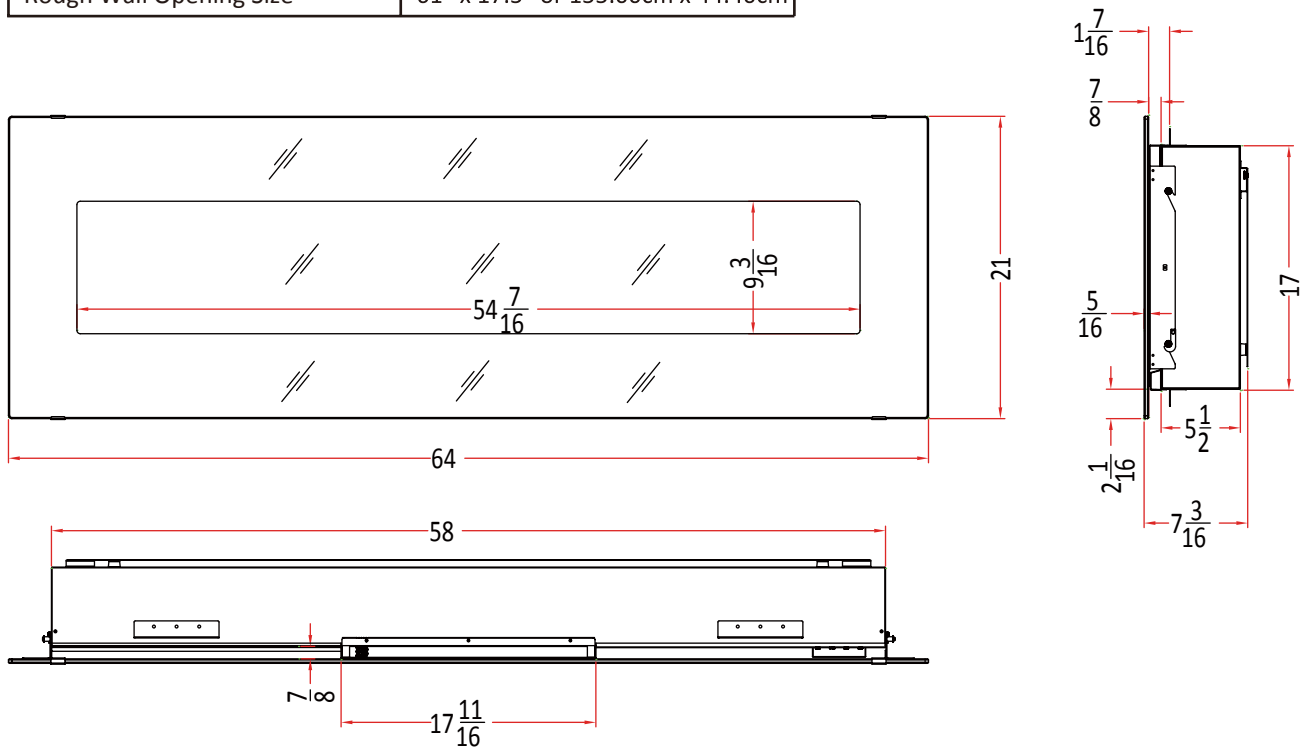


WM-BI-58-6421

Model Number		WM-BI-58-6421
Description		Built-In Appliance
Voltage		120V AC, 60Hz
Amps		11.7A
Watts		1400W
HEATER	HIGH	1350W
	LOW	675W
NO HEATER		27W
MOTOR HEATER		14.5W
MOTOR FLAME		6W
Appliance Width (Glass & Stone)		58" or 147.30 cm
Appliance Height (Glass & Stone)		17" or 43.00 cm
Appliance Depth Glass Models		5 1/2" or 14.00 cm
Appliance Depth Stone Models		7 3/16" or 18.30 cm
Gross Weight Glass Models		84.99 lbs or 38.55kg
Gross Weight Stone Models		86.93 lbs or 39.43 kg
Plug Location		Right side
Cord Length		74.81" or 190.00 cm
Rough Wall Opening Size		61" x 17.5" or 155.00cm x 44.40cm

This appliance has been tested in accordance with the UL Standard 2021 for fixed and location-dedicated electric room appliances in the United States and Canada. If you need assistance during installation, please contact your local dealer.

NOTE: This appliance must be electrically wired and grounded in accordance with local codes. In the absence of local codes, use the current CSA C22.1 Canadian Electrical Code in Canada or the ANSI/NFPA 70 National Electrical Code in the United States.

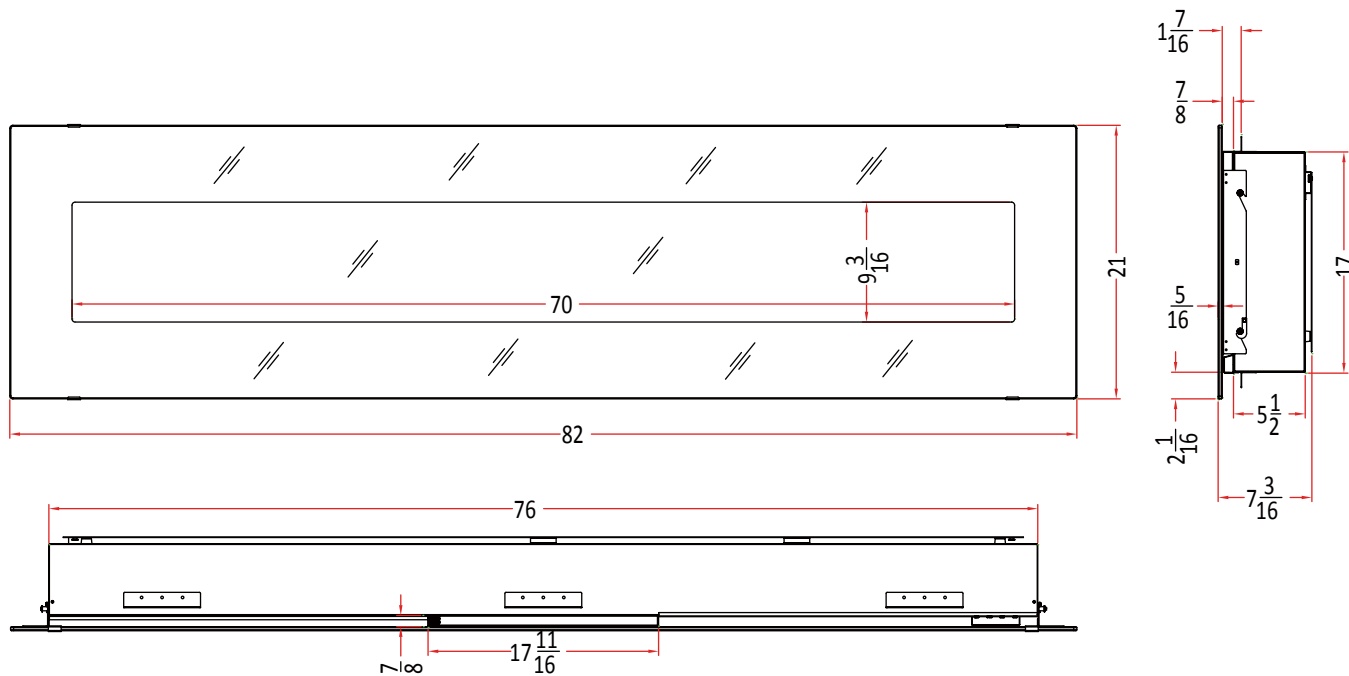


WM-BI-76-8221

Model Number		WM-BI-76-8221
Description		Built-In Appliance
Voltage		120V AC,60Hz
Amps		11.7A
Watts		1400W
HEATER	HIGH	1350W
	LOW	675W
NO HEATER		30W
MOTOR HEATER		14.5W
MOTOR FLAME		6W
Appliance Width (Glass & Stone)		76" or 193.00 cm
Appliance Height (Glass & Stone)		17" or 43.00 cm
Appliance Depth Glass Models		5 1/2" or 14.00 cm
Appliance Depth Stone Models		7 3/16" or 18.30 cm
Gross Weight Glass Models		104.35 lbs or 47.33kg
Gross Weight Stone Models		106.88 lbs or 48.48 kg
Plug Location		Right side
Cord Length		74.81" or 190.00 cm
Rough Wall Opening Size		79"*17.5" or 200.70cm x 44.40

This appliance has been tested in accordance with the UL Standard 2021 for fixed and location-dedicated electric room appliances in the United States and Canada. If you need assistance during installation, please contact your local dealer.

NOTE: This appliance must be electrically wired and grounded in accordance with local codes. In the absence of local codes, use the current CSA C22.1 Canadian Electrical Code in Canada or the ANSI/NFPA 70 National Electrical Code in the United States.

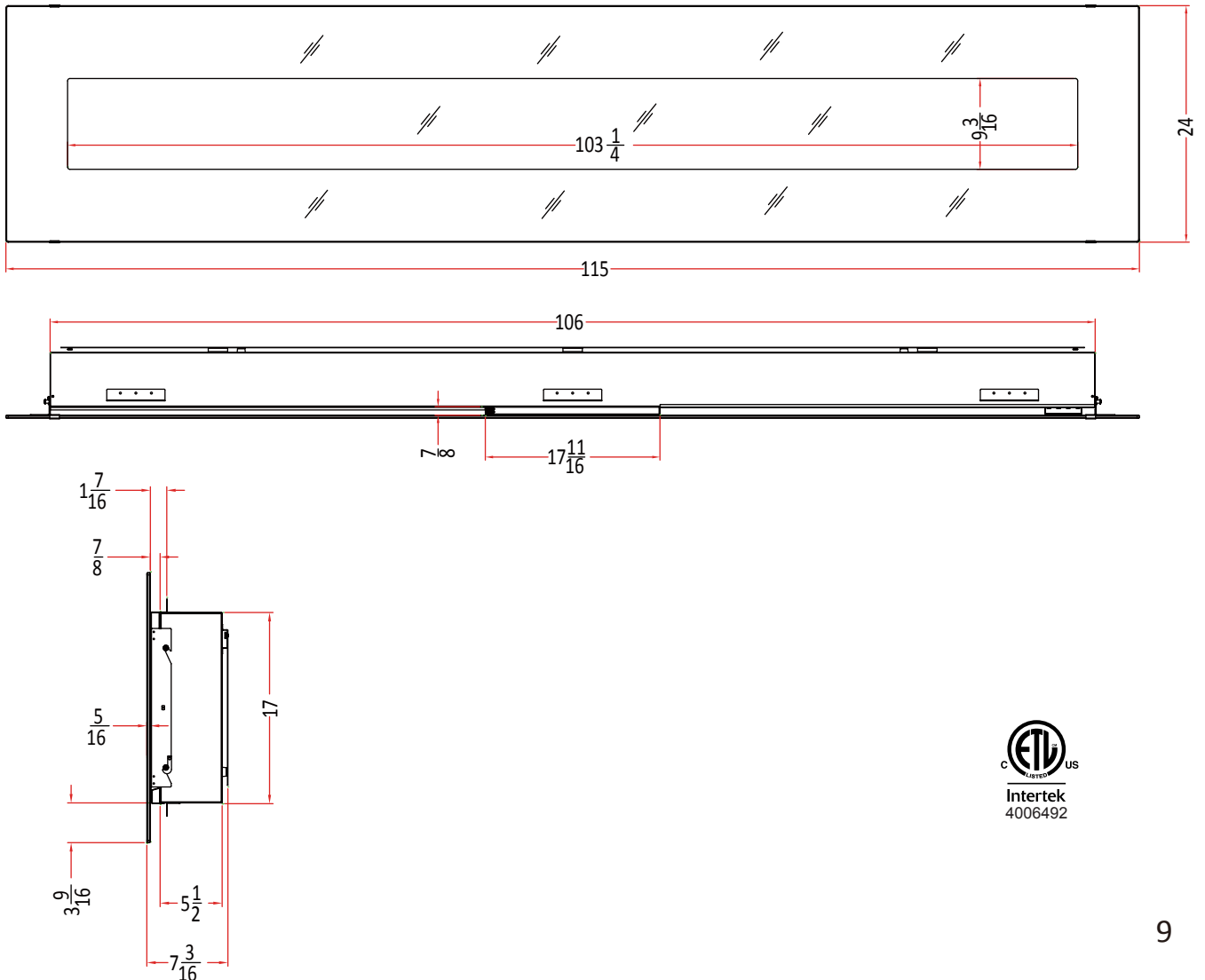


WM-BI-106-11524

Model Number		WM-BI-106-11524
Description		Built-In Appliance
Voltage		120V AC,60Hz
Amps		11.7A
Watts		1400W
HEATER	HIGH	1350W
	LOW	675W
NO HEATER		35W
MOTOR HEATER		14.5W
MOTOR FLAME		6W
Appliance Width (Glass & Stone)		106" or 269.30 cm
Appliance Height (Glass & Stone)		17" or 43.00 cm
Appliance Depth Glass Models		5 1/2" or 14.00 cm
Appliance Depth Stone Models		7 3/16" or 18.30 cm
Gross Weight Glass Models		153.64 lbs or 69.69kg
Gross Weight Stone Models		157.19 lbs or 71.30 kg
Plug Location		Right side
Cord Length		74.81" or 190.00 cm
Rough Wall Opening Size		109"x17.5" or 276.90 cm x 44.40cm

This appliance has been tested in accordance with the UL Standard 2021 for fixed and location-dedicated electric room appliances in the United States and Canada. If you need assistance during installation, please contact your local dealer.

NOTE: This appliance must be electrically wired and grounded in accordance with local codes. In the absence of local codes, use the current CSA C22.1 Canadian Electrical Code in Canada or the ANSI/NFPA 70 National Electrical Code in the United States.



INSTALLATION OVERVIEW



SITE SELECTION

Your new fireplace may be wall mounted, installed into existing framing or built into a wall.

Review and consider all of the following conditions for installation:

- Dimensions of the unit
- Unit requires a minimum of two (2) wall studs in order to ensure a secure installation.

Two possible installation methods:

- Built-In (page 13)
- Wall Mount (Page 14)

Power supply Wire Gage		
Voltage	Wire Gage	Fuse
120 v	14 GA.	15 AMP

Wall switch / thermostat Wire Gage	
Voltage	Wire Gage
5 Volts	18 Gage

NOTE: A 15 Amp, 120 Volt circuit is required. A dedicated circuit is preferred but not essential in all cases.



WARNING:

Ensure the power cord is not installed so that it is pinched or against a sharp edge and ensure that the power cord is stored or secured to avoid tripping or snagging to reduce the risk of fire, electric shock or injury to persons.

Construction and electrical outlet wiring must comply with local building codes and other applicable regulations to reduce the risk of fire, electric shock and injury to persons.

To reduce the risk of fire, do not store or use gasoline or other flammable vapors and liquids in the vicinity of the heater.



NOTE: BEFORE YOU INSTALL

1. Select a location that is not susceptible to moisture, dust and is away from high traffic locations and things that many catch fire or block openings such as drapes, pillows, furniture etc.
2. For the best effect install the fireplace out of direct sunlight and away from overhead lighting.
3. If possible, select a location near an existing electrical outlet for ease of electrical hook up.
4. Remove fireplace, front, fireglass media, and all hardware from box and remove all packaging related materials prior to installation. (Figures 1,2,3,4)
5. Plug in the unit, then press the POWER key on the unit or remote control. (ensure the batteries are installed to remote control.) After this, ensure the LED lights are working correctly. (see page 17)
6. Press ON/OFF key to close the unit, then pull the plug from the socket. Store the fireplace in a safe, dry and dust free location until you are ready to install the fireplace.

PACKAGING LIST

This assembled Electric fireplace is packaged with:

- One installation and Operation Manual
- One remote control

TOOLS & BUILDING SUPPLIES NORMALLY REQUIRED

TOOLS:

- Phillips Screwdriver
- Hammer
- Saw and/or Saber Saw
- Level
- Measuring Tape
- Plum Line
- Electric Drill and Bits
- Pliers
- Square
- Gloves

BUILDING SUPPLIES

- Framing Materials
- Wall Finishing Materials
- Caulking Materials (noncombustable)

INSTALLATION OVERVIEW



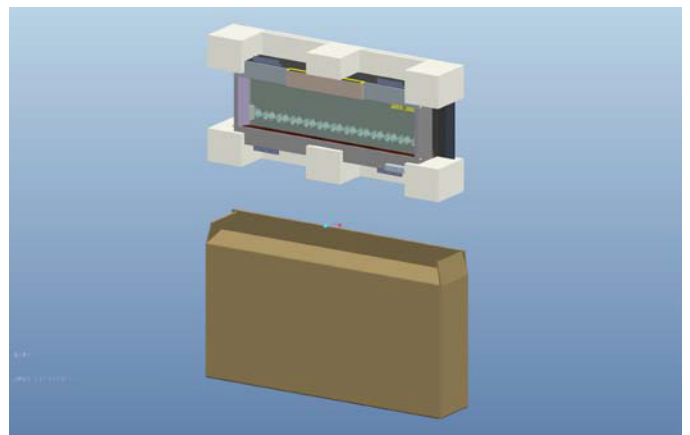
Locate fire glass media and set aside for later installation. (See Page 13)

Figure 1



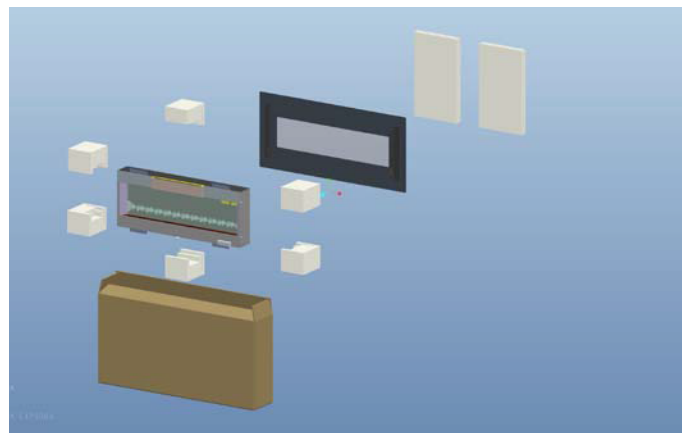
Remove sides of box

Figure 2



Remove packaging surrounding the unit and front.

Figure 3

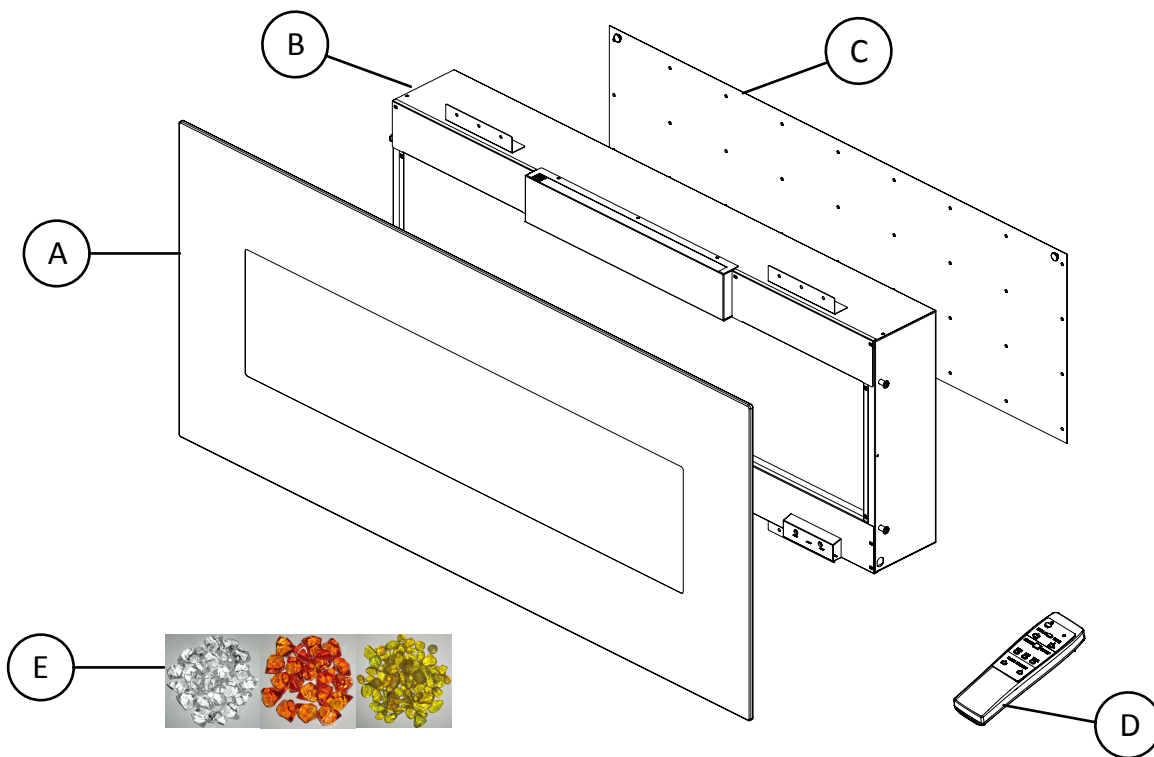


Discard packaging materials and store fireplace in a safe, dry location.

Figure 4



PACKAGE CONTENTS



Part	Description	Quantity
A	Glass	1
B	Appliance	1
C	Wall Bracket	1
D	Remote control	1
E	Fire Glass Media	1

CONTENTS

Part	Description	Quantity	Picture
A	Screw 0.16 in. x 1.0 in.	20	
B	Wall Plug 0.3 in. x 1.5 in.	20	
C	Wood Screw 0.16 in. x 0.6 in.	12	
D	Screw 0.16 in. x 0.3 in.	2	

FIREPLACE INSTALLATION - BUILT-IN



NEW CONSTRUCTION OR RENOVATION

⚠ CAUTION:

Two people may be needed to perform this installation.

1. Select a location that is not prone to moisture and is located at least 0.91 m or 3 feet away from combustible materials such as curtains or drapes, furniture, bedding, paper, etc.

Clearance to combustibles

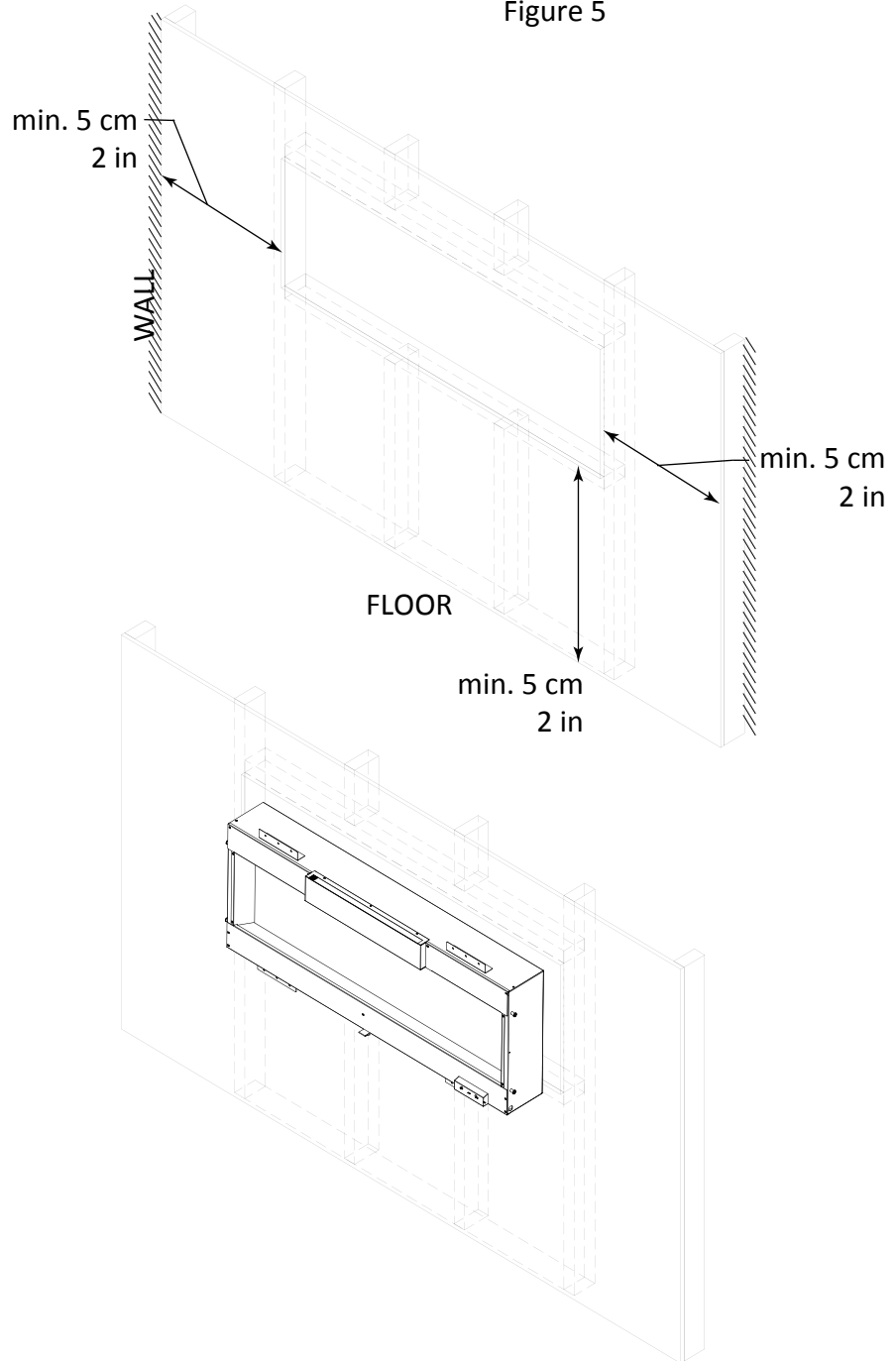
Sides	-----	2 in / 5 cm
Floor	-----	2 in / 5 cm
Top	-----	2 in / 5 cm
Back	-----	0 in / 0 cm

2. Place the appliance in selected location to see how it will look in the future.

3. Mark the desired location on the floor and store appliance in a safe, dry and dust free location.

4. Prepare a wall with a framed opening to accommodate the size of your unit. Leave at least 1/4" (6mm) around the edge of the appliance. Any new wiring must be done in compliance with local and national codes and other applicable regulations. (Figure 5)

Figure 5



WARNING:

To prevent contact with sagging or loose insulation, the electric appliance must not be installed against vapor barrier or exposed insulation. Overheating could occur and fire may result.



WARNING:

Do not attempt to wire your own new outlets or circuits. To reduce the risk of injury, electric shock or fire, use a licensed electrician.

FIREPLACE INSTALLATION - BUILT-IN



NOTE: BEFORE YOU INSTALL

- For Glass front Models:
Units must stick out of the wall a minimum of 2 1/8" or 5.4 cm

1. Lift fireplace and insert into opening. Adjust the unit to achieve the desired amount of depth. (Figure 6)

2. Make sure that the power supply port is not behind the wall.

3. Level the fireplace.

4. Drive mounting screws into the mounting brackets (nailing flanges) on the unit and the wall studs. (Figure 7)

Figure 6

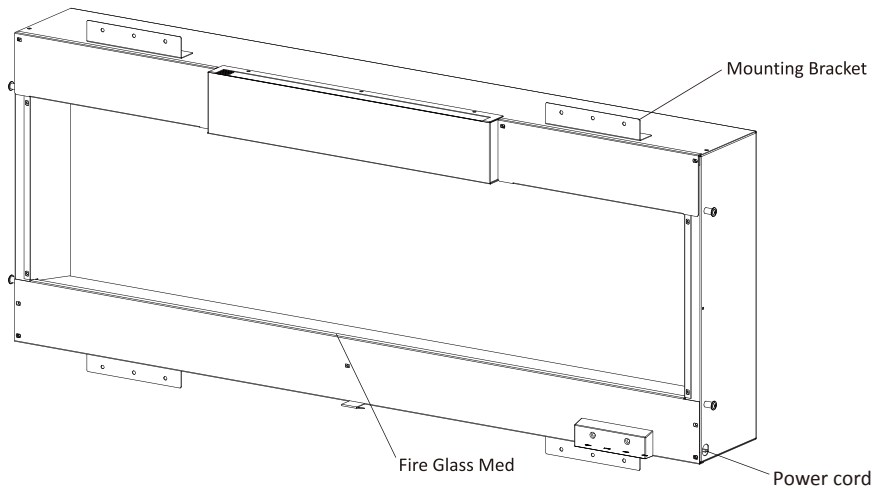
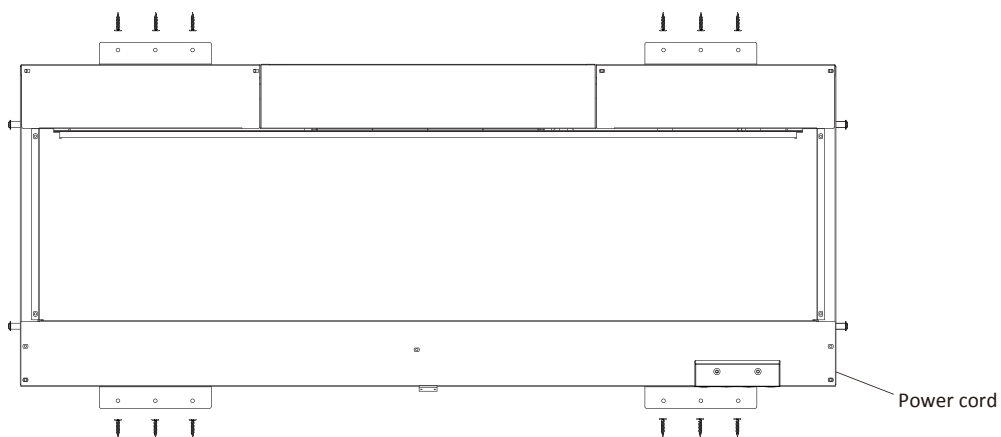


Figure 7

Wall



FIREPLACE INSTALLATION - WALL MOUNT



NOTE: BEFORE YOU INSTALL

It is strongly recommended that the screws be screwed into the wall studs where possible. If the wall studs cannot be used, ensure that plastic anchors are used.

1. Affix the provided mounting bracket to the wall. (Figure 8)

- Make sure it is level.

2. Lift fireplace unit and insert the stakes for hanging into the keyholes on the back of the unit. (Figure 9, Figure 10)

3. Check the appliance for stability ensuring that the appliance will not pull free from the wall.

Figure 8

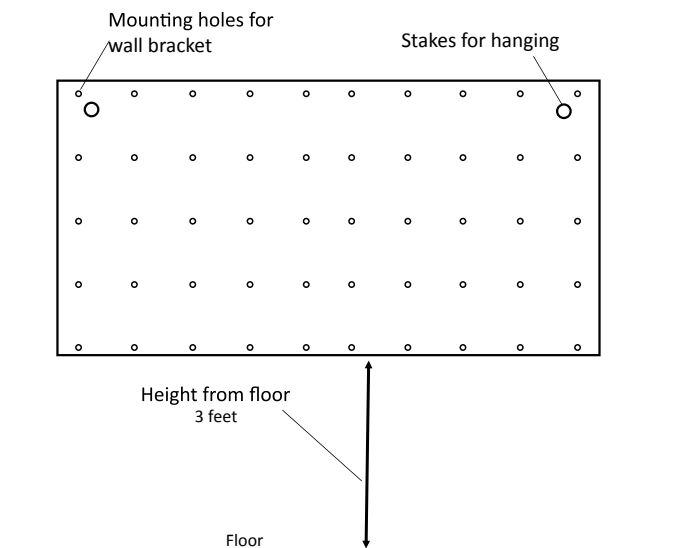
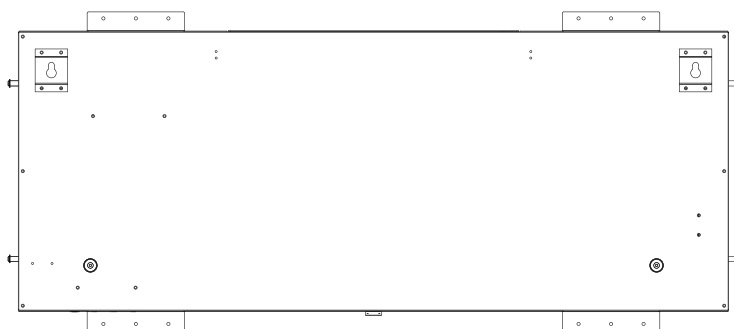
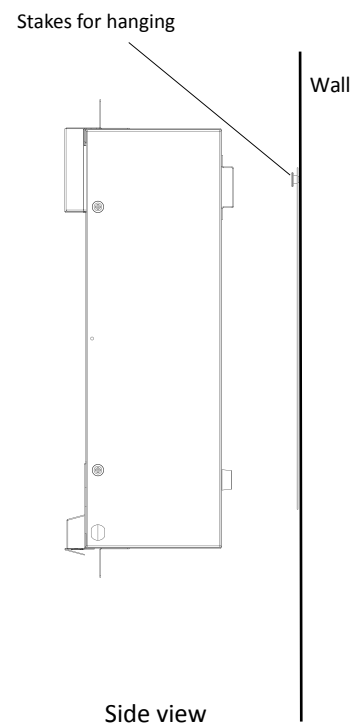


Figure 9



Back of unit

Figure 10



Side view

FIRE GLASS MEDIA INSTALLATION



NOTE: BEFORE YOU INSTALL

CLEANING THE MEDIA: The media may contain a fine white dust that needs to be cleaned prior to installation. Clean the media with soap, drain, rinse thoroughly and dry before placing into the tray.

1. To change from log to Fire Glass Media (Figure 12.1)
Unplug unit from wall and make sure controls are switched off. Then, lift log set out.
 2. Choose the colour of Fire Glass Media you would like to use. (Figure 11)
 3. Place the Fire Glass Media into the Tray (Figure 12.2)
(Built-in installation shown, Fire Glass Media installation is the same for both Built-in and Wall Mount installation methods.)
- It is not necessary to use all the media supplied.

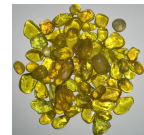
Figure 11



HZ-01 Clear



Hz-10 Harvest moon



G1015 Golden road

Figure 12.1

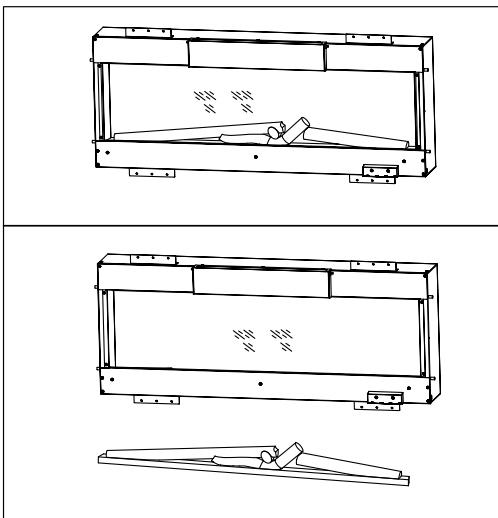
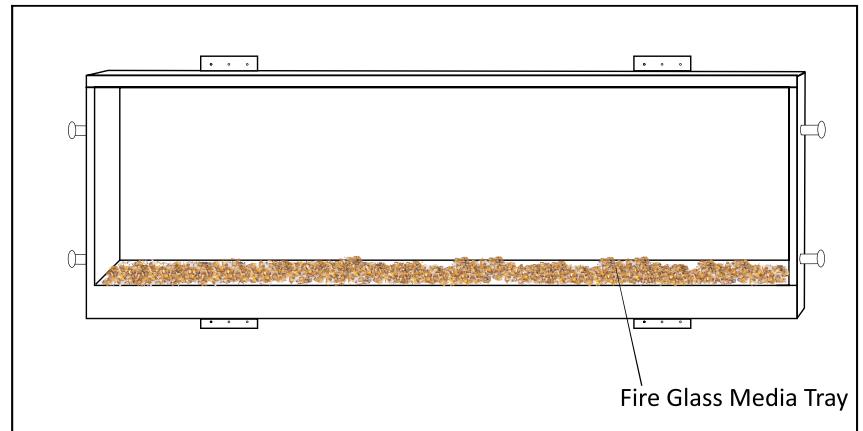


Figure 12.2



FRONT INSTALLATION



NOTE: BEFORE YOU INSTALL

It is recommended that two people install the front onto the appliance, wear safety glasses and gloves when handling glass.

1. Lift fireplace front (Figure 13) and line up the brackets with the four (4) shoulder screws on the side of the appliance body (Figure 14, or Figure 15)

2. Attach the front to the unit.

Figure 13

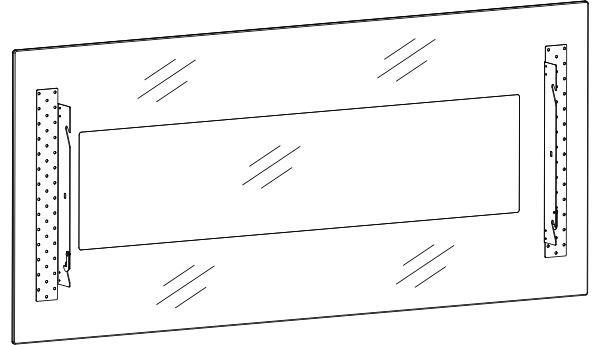
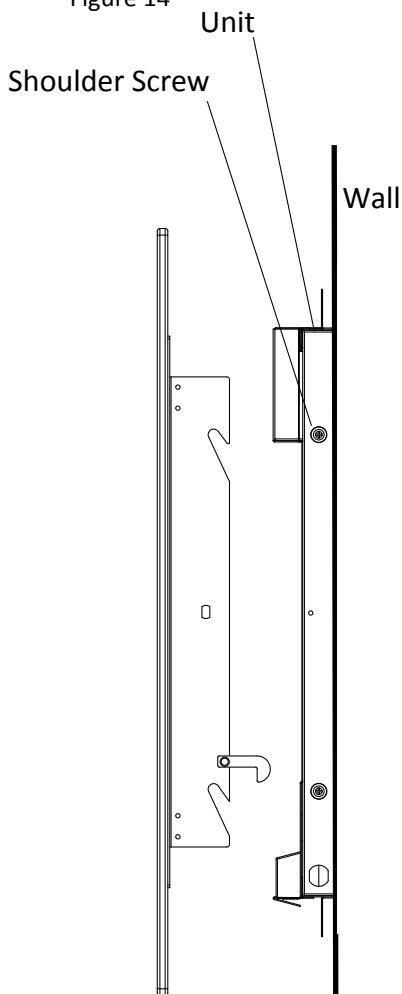
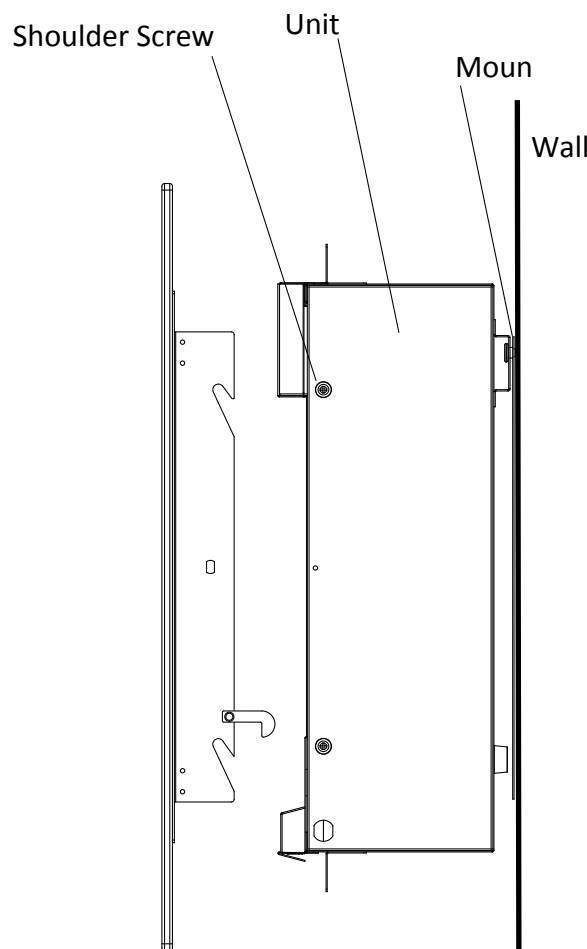


Figure 14



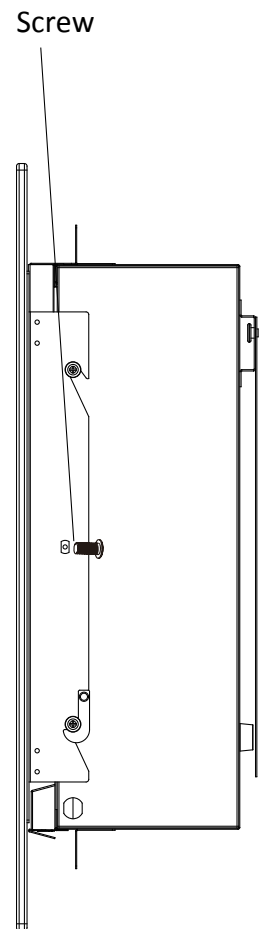
Built-In Installation

Figure 15



Wall Mount Installation

Figure 16



OPERATING THE UNIT



GETTING POWER TO THE UNIT

1. Make sure the appliance is switched OFF (refer to page 16 for instruction)
2. Attach the provided adaptor to the power port on the right hand side of the unit. (Figure 16)
3. Plug unit into electrical outlet.



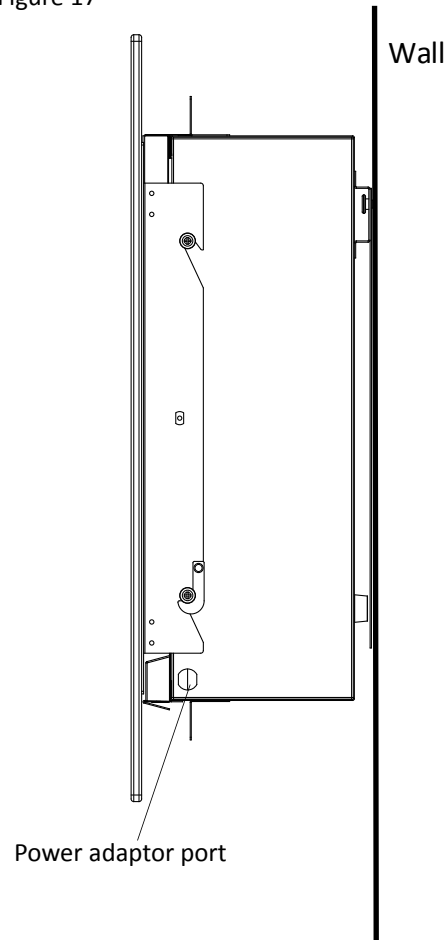
WARNING:

Do not attempt to wire your own new outlets or circuits. To reduce the risk of injury, electric shock or fire, use a licensed electrician.

Appliance has overheated and safety device has cause the thermal switch to discount. Unplug the appliance, allow appliance to cool for 15 minutes, then plug back in.

Inspect for an objects on or adjacent to the heater that may have locked the airflow or otherwise caused high temperatures to have occurred.

Figure 17



OPERATING THE UNIT



DISPLAY AND FUNCTIONS

Figure 18



a.IR: Receiving infra-red signals(inputs)

b.ON/OFF: (Power indicator) The indicator will be on when the appliance is turned on while the indicator will be off when the appliance is turned off or in standby mode.

c.FLAME/EMBERS: (Flame light and embers light indicator) The indicator will be on when the FFlame light and Embers light are turned on while the indicator will be off when the lights are turned off.

d.DISPLAY: (Multi-functional digital display) The panel displays the flame and embers light intensity from level 0 to level 5. When the temperature is adjusting, the panel will display the corresponding temperature in $^{\circ}\text{F}$ / $^{\circ}\text{C}$. It can also display time while the timer is setting up, and the heating stage number. When the setting of function is changing, the display will show the corresponding function display. After 5 seconds without any input signals, the digital display will be closed. When we set the heating stage at level 1 or level 2 manually, the digital display will be 1 or 2.

e.HEAT: (Heating indicator) The indicator will be on only when the heating function is turned on.

f.Timer: (timing indicator) The indicator will be on only when the timer function is turned on.

g. $^{\circ}\text{C}$ / $^{\circ}\text{F}$: (Temperature unit display) The corresponding indicator will be on when the corresponding temperature unit is used during temperature adjustment.

CONTROLLING THE FIREPLACE

Figure 19

CONTROLLING METHOD:

A:Remote control Operations

B:Main Unit Buttons Operations

A:Remote control Operations

Remote control: This infra-red (IR) remote control, with linear range of 5-7 meters, contains 10 buttons (Red indicator is on when a button is pressed)



POWER: Switching the appliance ON/OFF (It has functions of setting memory and returning to default setting which in the same manner as the "POWER" button on the main unit) the ON/OFF indicator on the main body display will be on when the appliance is turned on.



TIME SETTING:press it to start time setting in increments of 0.5 hour. The setting range will be 0H---9H. (i.e.When we set to 1,the unit will closed after 1 hour.But we set it to 0,the timer will be invalid.)





REDUCING EMBERS LIGHT INTENSITY: Pressing the button pointing towards LEFT can reduce the light intensity. Level 1 is the least. If the current level is 1, pressing this button will NOT have any effect. The digital display on the main unit display panel shows the adjusted light intensity level simultaneously when the level is changed



INCREASING EMBERS LIGHT INTENSITY: Pressing the button pointing towards RIGHT can increase the light intensity. Level 5 is the greatest. If the current level is 5, pressing this button will NOT have any effect. The digital display on the main unit display panel shows the adjusted light intensity level simultaneously when the level is changed.



HEATER SWITCH: Pressing the button you can switch the heater ON/OFF.

ON: The heater is ready to start display panel indicates "ON" and the visual on indicator will disappear turn after 5 seconds.

OFF: Display panel indicates "--".

Remark: If you would like to set the thermostat simply use TEMP key on remote and HEAT key on the display panel of fireplace will display it goes from 68 -86 °F. Again after 5 seconds the display will disappear. If you wish to change the setting simply keep pushing the button until you see the desired temperature.

The heater will work automatically at the set temperature. If you wish to turn OFF, go up on the remote to heater ON/OFF button.



HIGH HEATING LEVEL: After pressing HEATER ON/OFF button by manually, press this button to turn the heating stage into 2. (It is available when the room temperature is less than 30 °C).



LOW HEATING LEVEL: After pressing HEATER ON/OFF button by manually, press this button to turn the heating stage into 1. (It is available when the room temperature is less than 30 °C).



TEMPERATURE ADJUSTING: Press the button to set the temperature in increments of 1°C. After setting the temperature, the program will select the heating stage automatic based on the margin between setting value and room temperature. The setting range is 68 °F --86 °F (20 °C --30 °C) with a circular way. While the setting value is 86 °F (30 °C), pressing the button once will return to 68 °F (20 °C).



REDUCING FLAME INTENSITY: Pressing the button with a minus (-) sign can reduce the flame intensity (Default = 5). 0 is the least. If the current flame intensity is 0, pressing this button will NOT have any effect. The main unit digital display will show the adjusted flame intensity level when the level is changed



INCREASING FLAME INTENSITY: Pressing the button with a plus (+) sign can increase the light intensity (Default = 5). 5 is the greatest. If the current flame intensity is 5, pressing this button will NOT have any effect. The main unit digital display will show the adjusted flame intensity level when the level is changed.

B:Main Unit Buttons Operations

POWER: (The power control of the appliance)
Other than switching the appliance on/off, it contains the functions of setting memory and returning to default setting.

Figure 20



FLAME: (The switch of Flame light and embers light)

The light intensity level range is level 0--level 5 (default = 5) which 5 is the greatest. Press this button once will increase one light intensity level. The light intensity level is adjusted in a circular manner. When the current intensity level is 5, press this button once, the level will change to 0. The flame and embers light intensities are adjusted synchronous using this button. The light intensities will adjust once the level is changed. After 5 seconds without signal inputs, the level will stay as displayed and the display will switch to show the heating stage number. The color of the flame contains red, amber and blue. For each color, the light intensity level can be adjusted in the same way.

HEAT: (Heating condition: the setup temperature must be higher than the environmental temperature. Heating will be off when the environmental temperature reaches the setup temperature)

(I) Press the button to set the temperature in increments of 1C. After setting the temperature, the program will select the heating stage automatic based on the margin between setting value and room temperature. The setting range is 68 °F --86 °F (20 °C --30 °C) with a circular way. While the setting value is 86 °F (30 °C), pressing the button once will return to 68 °F (20 °C). The default temperature is 68 °F (20 °C). The temperature will stay as displayed after 5 seconds without inputs off. The HEAT indicator on the main unit display panel is always on (for both heating stages) until the heater is switched off.

(II) (Temperature Unit Switching) When the button is pressed for 4 seconds or longer, the displaying unit °F / °C will change. (# For UL/CSA series, the default temperature unit is °F)

TIMER: (timer switch).

The range of the timer is 0-9 hours with 0.5-hour-intervals, i.e. customers can set the appliance on for 0.5h, 1h, 1.5h, etc. Pressing this button once can increase one interval (0.5 h). The timer is adjusted in a circular manner. When the current timer setting is 9h, press this button once, the time will change to 0h. After 5 seconds without inputs, timer will stay at current setting and the display will be switched and shows the heating stage number.

REPLACING THE REMOTE CONTROL BATTERY

When the remote control stops operating or its range seems reduced, it is time to replace the batteries with new ones. Remove the batteries if the remote control won't be used for a long period of time.

1. The battery compartment is located on the back end of the remote.
2. Press the small tab inward as you slide the battery door open and remove the old batteries.
3. Replace with (2) AAA batteries (not included), making sure the + and - sides of the battery match the inside of the battery compartment.
4. Replace the battery door.

CAUTION:

- Always purchase the correct size and grade of battery most suitable for the intended use.
- Replace all batteries of a set at the same time.
- Clean the battery contacts and also those of the device prior to battery installation.
- Ensure the batteries are installed correctly with regard to polarity (+ and -).
- Remove batteries from equipment which is not to be used for an extended period of time.
- Remove used batteries promptly.

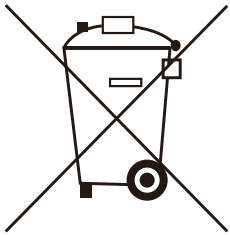
Note: Do not mix old and new batteries.

Do not mix alkaline, standard (carbonzinc), or rechargeable (nicad, nimh, etc) batteries.

Caution for Ingestion.

DISPOSAL OF USED BATTERIES

Batteries may contain hazardous substances which could be endangering to the environment and to human health.



This symbol marked on the battery and/or packaging indicates that used battery shall not be treated as municipal waste. Instead it shall be left at the appropriate collection point for recycling.

By ensuring used batteries are disposed of correctly, you will help to prevent potential negative consequences for the environment and human health. The recycling of materials will help to conserve natural resources.

For more information about collection and recycling of used batteries, please contact your local municipality or your waste disposal service.

Note: please operate remote transmitter at a slow measured pace. Press the remote control buttons with an even motion and gentle pressure. Repeatedly pressing buttons in rapid succession may cause the transmitter to Malfunction.

CARE AND MAINTENANCE

CLEARANCE TO COMBUSTIBLES

Keep electrical cords, drapery, furniture and other combustibles at least 3 ft. from the front of the heater and away from the sides.

CLEANING TRIM

Clean the metal trim using a soft cloth, slightly dampened with a citrus oil-based product and buff with a clean soft cloth. Do not use brass polish or household cleaners as these products will damage the metal trim. Citrus oil-based products can be obtained at supermarkets or hardware stores.



WARNING: Make sure the power is turned off before proceeding. Any electrical repairs or rewiring of this unit should be carried out by a licensed electrician in accordance with national and local codes.

If repairing or replacing any electrical component or wiring, the original wire routing, color coding and securing locations must be followed.



WARNING: Electrical outlet wiring must comply with local building codes and other applicable regulations to reduce the risk of fire, electrical shock and injury to persons.



WARNING: Do not use this fireplace if any part of it has been under water. Immediately call a qualified service technician to inspect the fireplace and replace any part of the electrical system.



WARNING: Disconnect power before attempting any maintenance or cleaning to reduce the risk of fire, electrical shock or personal injury.



WARNING: During any service of this appliance, the power to the unit must be turned off. First turn the main power switch to the OFF position. Then remove the electrical plug from the wall outlet.

FIREPLACE MAINTENANCE



WARNING:

Disconnect power before performing any maintenance or cleaning to reduce the risk of fire, electric shock or damage.

LED LIGHT BULB REPLACEMENT

LED light bulbs are to be replaced by the manufacturer, it's service agent or similar qualified person in order to avoid hazard.



WARNING:

Allow at least 5 minutes for LED bulbs to cool off before handling bulbs to avoid burns.

LED LIGHT REQUIREMENTS

Rating Voltage: DC 3V

Rating Power: 1 W

WM-BI-28-3421: red light: 3 pcs, blue light: 2 pcs, white light: 4 pcs

WM-BI-43-5123: red light: 2 pcs, blue light: 3 pcs, white light: 5 pcs

WM-BI-58-6421: red light: 5 pcs, blue light: 3 pcs, white light: 6 pcs

WM-BI-76-8221: red light: 7 pcs, blue light: 3 pcs, white light: 8 pcs

WM-BI-106-11524:red light: 9 pcs, blue light: 4 pcs, white light: 11 pcs



CAUTION:

Do not exceed 2 watts per LED.

UNIT DISPOSAL

Do not dispose with other household wastes. To prevent possible harm to the environment or human health from uncontrolled waste disposal, recycle it responsibly to promote the sustainable reuse of material resources. Contact your local landfill for appropriate disposal instruction.

TROUBLE SHOOTING



WARNING

Disconnect power before performing any maintenance and allow to cool before servicing. Only a qualified service person should service and repair this electric appliance.

SYMPTOM	POSSIBLE CAUSES	CORRECTIVE ACTION
Fireplace doesn't work, but "F" visual alarm light is flashing.	Fireplace inner temperature over heating or occurs abnormal heating.	a. This fireplace are include a visual alarm and a thermostat limiter safety device to warn/prevent that parts of heater are getting excessively hot. A thermostat limiter will disconnect power to the unit. Reset it by turning the main power switch OFF (or optional wall switch or wall thermostat, if installed) or unplug the unit and waiting 10 minutes then turning it back ON/Plug in the unit. b. If the alarm illuminates and thermostat limiter continues to trip repeatedly contact a qualified service technician.
Flame is fixed (unmoving).	Wiring may be loose or the flame motor may be defective.	Call a qualified service technician. Inspect all wiring for loose connections. If the wire connections are good, replace the flame motor.
Dim or poorly visible flame or log set and ember is not glowing.	LED Light(s) burt out or wiring is loose.	Inspect all wiring for loose connections and repair or replace if necessary. Inspect light bulbs and replace if necessary.
Flame sputters.	Flame motor is defective	Call a qualified service technician and replace flame motor.
Remote Control does not work.	Low batteries. Unit switch and/or wall switch in "OFF" position.	Replace aa batteries in remote control. If problem persists, there may have been a loss of power to the unit as a possible result from a power failure (i.E. Breaker tripped). Turn off main power on/off switch (see figure 4) and/or optional wall switch (if applicable).
Circuit Breaker trips or fuse blows when the unit is on.	Improper circuit current rating.	Call a qualified service technician. Check the house circuit to ensure it is on a dedicated circuit with proper amp. rating. If the circuit breaker continues to trip (or blown fuses), inspect wiring for a loose connection or a dead short. Repair or replace wiring and/or connectors as necessary.
Dim or no flame	LED Light(s) are burnt out.	Inspect the LED Light(s) and replace them if necessary.
Ember Bed is not glowing or dimming.	LED Light(s) are burnt out.	Inspect the LED Light(s) and replace them if necessary.
No warm air coming from appliance	Room temperature is higher than the appliance setting (if set to LO or MED).	Set appliance to a higher temperature setting (MED or HI)
Appliance turns off and will not turn on.	a. Appliance has overheated and saftey device has cause the thermal switch to disconnect. OR b. House circuit breaker has tripped.	a. Unplug the appliance, allow appliance to cool for 15 minutes, then plug back in. b. Reset the house circuit breaker
Appliance will not come on when switch is flipped to ON.	a. Appliance is not plugged into an eletrical outlet. OR b. Appliance has overheated and saftey device has cause the thermal switch to disconnect.	a. Check plug and plug it in. b. Unplug the appliance, allow appliance to cool for 15 minutes, then plug back in.

WARRANTY

Amantii Imports Corp. ("Amantii") warrants that your newly purchased Amantii electric fireplace is free from manufacturing and material defects for a period of one (1) year from the date of the first purchase, subject to the conditions and limitations contained below.

Warranty Application & Exclusions

This limited warranty applies to your newly purchased Amantii electric fireplace; the limited warranty's application is limited to purchases made in any province of Canada or in any of the 52 States of the United States of America, including the District of Columbia. Only the original purchaser of the product is eligible for coverage under this limited warranty; the warranty is not transferable.

Products excluded from this limited warranty

Light bulbs are not covered by this limited warranty and are the sole responsibility of the owner/purchaser.

Warranty Coverage and Team

Products covered by this limited warranty have been tested and inspected prior to shipment and, subject to the provisions of this warranty, Amantii warrants such products to be free from defects in material and workmanship for a period of one (1) year from the date of the first purchase of such products.

The limited one (1) year warranty period for products also applies to any implied warranties that may exist under applicable law. Some jurisdictions do not allow limitations on how long an implied warranty lasts, so the above limitation may not apply to the purchaser.

All other warranties - expressed or implied - with respect to the product, its components and accessories or any obligation/liabilities on the part of Amantii are hereby expressly excluded.

Limitations to Coverage Under Limited Warranty

This limited warranty does not apply to products that have been repaired, except by Amantii or its authorized service representatives, or otherwise altered. This limited warranty further does not apply to defects resulting from misuse, abuse, accident, neglect, incorrect installation, improper maintenance or handling, or operation with an incorrect power source.

Products made by other manufacturers, sold with the product or thereafter, are not covered by this limited warranty. The use of unauthorized components will render this warranty null and void.

Service Under Limited Warranty

Defects must be brought to the attention of Amantii Technical Service by contacting Amantii at (1-888-406-8764), or at 1503-7088 18th Avenue, Burnaby, British Columbia, Canada, V3N 0A2. Please have your proof of purchase, catalogue/model and serial numbers available when calling; any and all service under the limited warranty requires a proof of purchase of the product.

Defects

Should a product or part covered by this limited warranty be proven to be defective, in material or workmanship, and during the one (1) year limited warranty period, Amantii will replace such defective product or part without charge. If Amantii is unable to replace such product, or if replacement is not commercially practicable or cannot be timely done, in its sole discretion Amantii may, in lieu of replacement, choose to refund the purchase price for such product or part.

Limitations

In no event will Amantii, including without limitation any of its directors, officers, shareholders, employees, consultants, agents, heirs, executors, administrators and assigns, be liable to the purchaser or any third party, whether in contract, in tort, or on any other basis for any indirect, special, punitive, exemplary, consequential, or incidental loss, cost or damage arising out of or in connection with the sale, maintenance, use or inability to use the product, even if Amantii, including without limitation any of its directors, officers, shareholders, employees, consultants, agents, heirs, executors, administrators and assigns, have been advised of the possibility of such losses, costs or damages, or if such losses, costs or damages are foreseeable. In no event will Amantii, including without limitation any of its directors, officers, shareholders, employees, consultants, agents, heirs, executors, administrators and assigns, be liable for any direct losses, costs or damages that exceed the purchase price of the product.

Some jurisdictions do not allow the exclusion or limitation of incidental or consequential damages, so the above limitation or exclusion may not apply to the purchaser.

Application of Provincial and State law

This limited warranty gives you specific legal rights, and you may also have other rights which vary from jurisdiction to jurisdiction. The provisions of the United Nations Convention on Contracts for the Sale of Goods shall not apply to this limited warranty or the sale of products covered by this limited warranty.

General

Amantii reserves the right to make changes at any time without notice, in design, material, specifications, prices and the right to discontinue styles and products.

Amantii

ELECTRIC FIREPLACES

www.amantii.com

Date of Purchase:

Dealer Information:



CHEMINÉES ÉLECTRIQUES

**INSTRUCTIONS D'INSTALLATION
ET D'UTILISATION
POUR LES UNITÉS ENCASTRABLES
WM-BI-28-3421, WM-BI-43-5123, WM-BI-58-6421,
WM-BI-76-8221, WM-BI-106-11524**

Ce manuel va vous aider à installer votre cheminée électrique en toute sécurité pour obtenir un fonctionnement sûr, efficace et fiable. Avant de procéder à l'installation de votre appareil, prenez soin de lire et de comprendre l'intégralité de ces instructions.

Ne modifiez jamais et en aucun cas un quelconque aspect ou composant de cette cheminée électrique. Toute modification du système, y compris mais sans s'y limiter, la cheminée et ses accessoires, peut entraîner l'annulation de la garantie, de la classification et des certifications de ce système, et peut engendrer une installation instable et potentiellement dangereuse.

Les cheminées électriques Amantii sont conçues pour être utilisées comme appareil décoratif et/ou comme chauffage d'appoint. Elles ne sont en aucun cas destinées à être utilisées en continu comme source de chauffage principale.

INFORMATION DE SÉCURITÉ



AVERTISSEMENT

Le non-respect rigoureux des instructions du présent manuel risque de provoquer un incendie ou une explosion entraînant des dommages aux biens, des blessures corporelles, voire la mort.

Ne stockez ni n'utilisez jamais de l'essence ou tout autre liquide ou vapeur inflammable à proximité de cet appareil ou d'appareils similaires.



INSTALLATEUR : LAISSEZ CE MANUEL AVEC L'APPAREIL.

UTILISATEUR : CONSERVEZ CE MANUEL POUR TOUTE CONSULTATION ULTÉRIEURE.



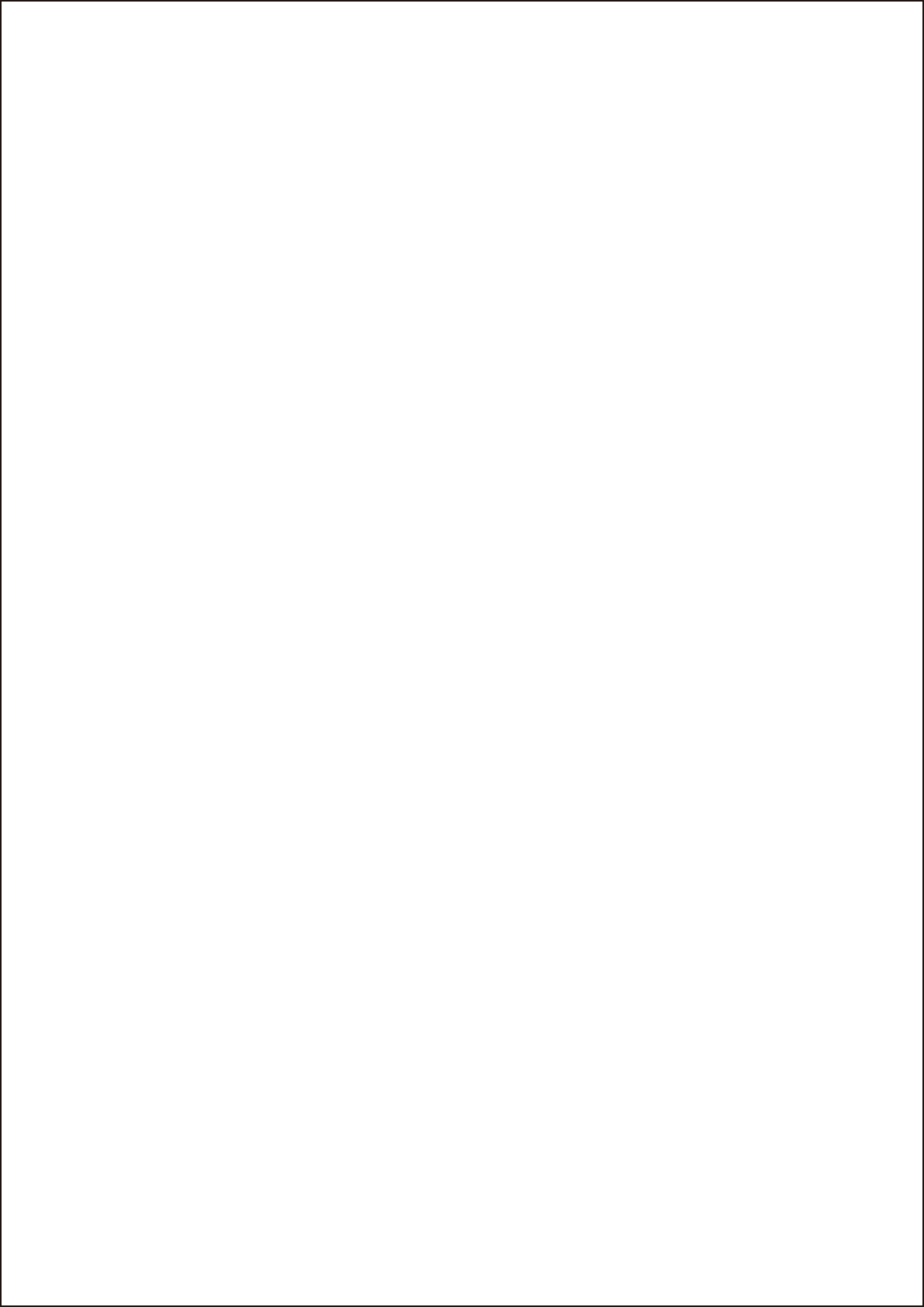


TABLE DES MATIÈRES

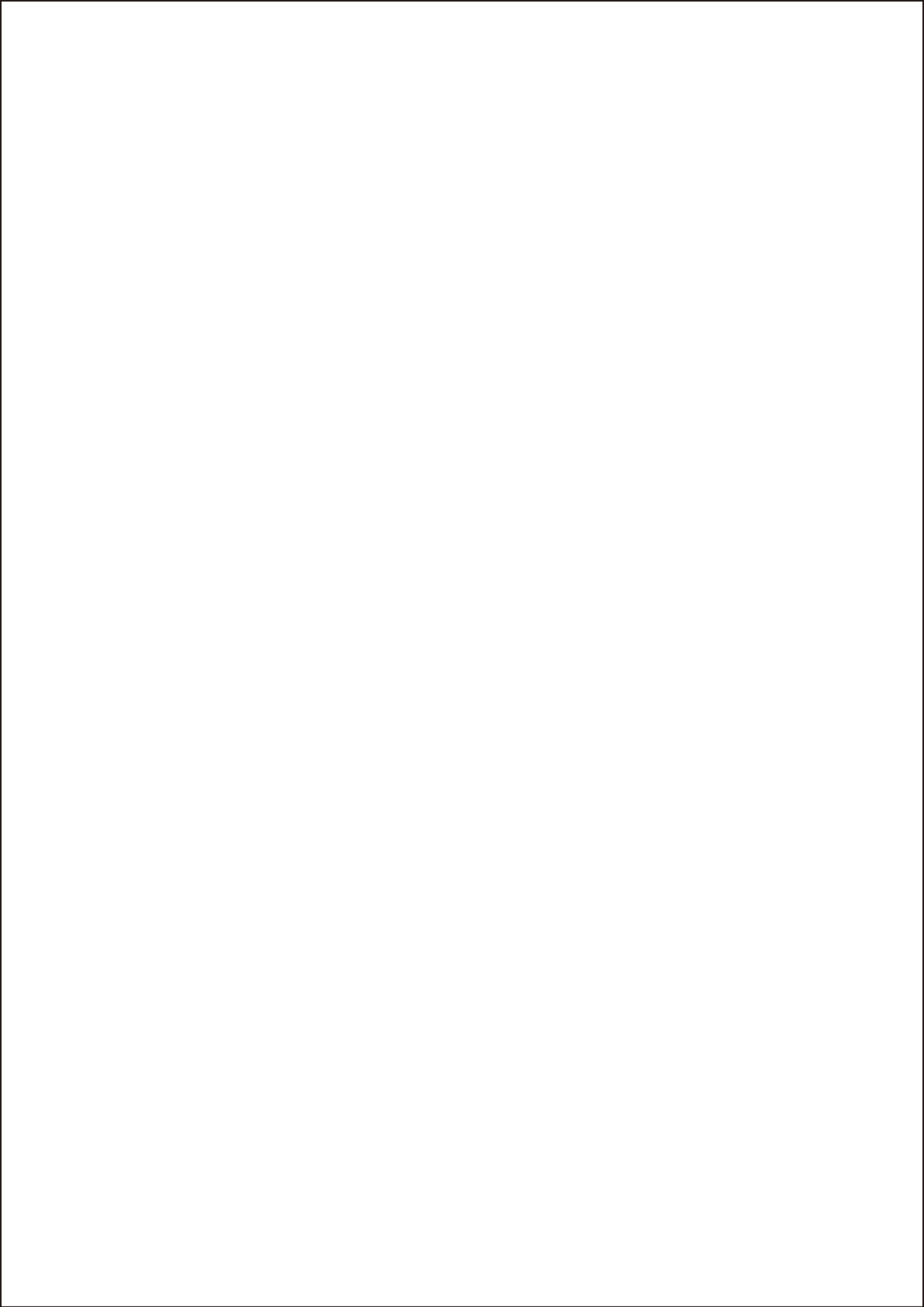
FÉLICITATIONS !

En choisissant une cheminée électrique Amantii à montage mural OU encastrable, vous avez opté pour la cheminée électrique la plus fiable et la plus efficace actuellement disponible sur le marché. Un ajout élégant et fonctionnel pour un intérieur raffiné. Bienvenue dans la grande famille des utilisateurs comblés par leur cheminée électrique Amantii.

Veillez lire attentivement et respecter scrupuleusement l'intégralité des instructions de ce manuel. Respectez tout particulièrement les instructions de sécurité stipulées dans ce manuel. Ces instructions vous permettront de profiter de nombreuses années durant de votre appareil Amantii.

Instructions Importantes	Page 3
WM-BI-28-3421	Page 4
WM-BI-43-5123	Page 5
WM-BI-43-5123	Page 6
WM-BI-58-6421	Page 7
WM-BI-76-8221	Page 8
WM-BI-106-11524	Page 9
Vue D'ensemble De L'installation	Page 10
Contenu De L'emballage	Page 12
Installation Par Encastrement	Page 13
Installation Murale	Page 15
Installation Des Pierres Décoratives	Page 16
Installation Du Panneau Frontal	Page 17
Utilisation De L'appareil	Page 18
Remplacement Des Piles De La Télécommande	Page 22
Entretien Et Maintenance	Page 23
Entretien De La Cheminée	Page 24
Dépannage	Page 25
Historique De Maintenance	Page 26
Garantie	Page 27
Coordonnées De Contact Revendeur	Page Arrière

The logo for Amantii, featuring the brand name in a stylized, cursive font. The letter 'A' is large and red, while the rest of the name 'mantii' is in a dark red or black color.



INSTRUCTIONS IMPORTANTES

⚠ AVERTISSEMENT!

Lors de l'utilisation d'appareils électriques, des précautions de base doivent systématiquement être respectées afin de minimiser les risques d'incendie, d'électrocution et de blessures corporelles ; parmi ces précautions:

1. Lisez attentivement toutes les instructions avant d'installer ou d'utiliser votre appareil de chauffage.
2. Cet appareil devient chaud au toucher en cours d'utilisation. Pour éviter les brûlures, ne laissez jamais votre peau entrer en contact avec les surfaces chaudes. Gardez les matériaux inflammables – tels que les meubles, les coussins, la literie, les journaux, les vêtements etc. – ainsi que les rideaux à une distance minimale de 0,90m (3 pieds) du devant de l'appareil, et gardez-les à l'écart des côtés et de l'arrière.
3. Une vigilance absolue est nécessaire lorsqu'un appareil de chauffage est utilisé par ou à proximité d'enfants ou de personnes invalides, et dès que l'appareil est allumé et laissé sans surveillance.
4. Cessez immédiatement d'utiliser l'appareil de chauffage s'il présente un dysfonctionnement. Débranchez l'alimentation au niveau du panneau de service et faites vérifier l'appareil.
5. N'utilisez pas cet appareil à l'extérieur (sauf si l'appareil est conçu pour un usage en extérieur).
6. Pour éteindre l'appareil de chauffage, placez les commandes en position off (arrêt), et coupez l'alimentation de l'appareil au niveau du panneau principal (ou utilisez l'interrupteur d'arrêt interne, le cas échéant).
7. N'insérez ni ne laissez aucun corps étranger pénétrer à l'intérieur des orifices de ventilation ou d'évacuation – vous risqueriez de provoquer un choc électrique ou un incendie, ou d'endommager l'appareil.
8. Pour éviter les risques d'incendie, n'obstruez jamais les entrées et les évacuations d'air de quelque manière que ce soit.
9. Un appareil de chauffage contient des pièces internes chaudes et pouvant produire des arcs électriques et des étincelles. Ne le faites jamais fonctionner dans des endroits où sont utilisés ou stockés des produits tels que de l'essence, de la peinture, des liquides ou des vapeurs inflammables.
10. Utilisez exclusivement cet appareil de chauffage tel que stipulé dans ce manuel. Toute autre forme d'utilisation non recommandée par le fabricant risque de provoquer un incendie, une électrocution ou des blessures corporelles.
11. CONSERVEZ CES INSTRUCTIONS.
12. En cas de montage d'un dessus de cheminée ou d'étagères, veillez à conserver une distance suffisante entre l'appareil et ces éléments. Les températures élevées générées sur le mur ou dans l'air au-dessus de l'appareil peuvent provoquer une fonte, une décoloration ou des dégâts des éléments décoratifs, TV ou autres composants électroniques trop proches.
13. Amantii se réserve le droit de mettre à jour et de modifier les spécifications et les instructions de ce manuel à sa discrétion. En cas de doute, veuillez visiter notre site www.amantii.com pour obtenir la version la plus récente de ce manuel.
14. Pour minimiser les risques d'incendie, ne stockez ni n'utilisez jamais de l'essence ou tout autre liquide ou vapeur inflammable à proximité de cet appareil.
15. Veuillez voir les instructions de la Figure 1. Cet appareil doit être utilisé à une tension de 120 volts. Le cordon d'alimentation est doté d'une fiche tel qu'illustré Figure 1. Reportez-vous à la Figure 1 pour les instructions de mise à la terre. Un adaptateur tel qu'illustré sous C est disponible pour le branchement d'une fiche à trois broches dans une prise secteur à deux broches. La languette de mise à la terre verte située sur l'adaptateur doit impérativement être reliée à une mise à la terre permanente, telle qu'une prise secteur correctement mise à la terre. L'adaptateur ne doit pas être utilisé si une prise secteur à trois broches est disponible.
16. Cet appareil est doté d'une alarme visuelle signalant la surchauffe de certains de ses composants. Si l'alarme venait à s'allumer, débranchez immédiatement l'appareil et assurez-vous qu'aucun objet pouvant limiter la ventilation ou provoquer une élévation de la température ne se trouve sur ou à proximité de l'appareil. N'UTILISEZ JAMAIS L'APPAREIL SI L'ALARME EST ALLUMÉE.

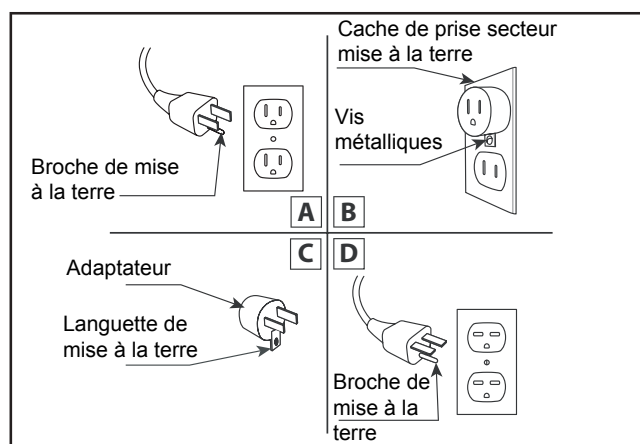


Fig. 1

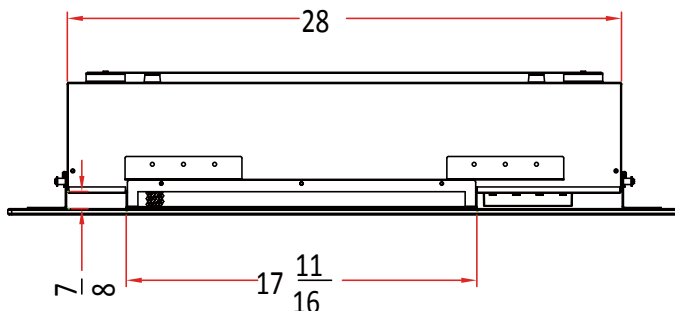
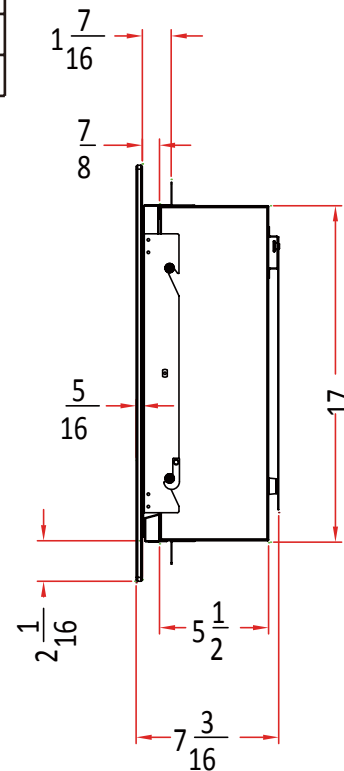
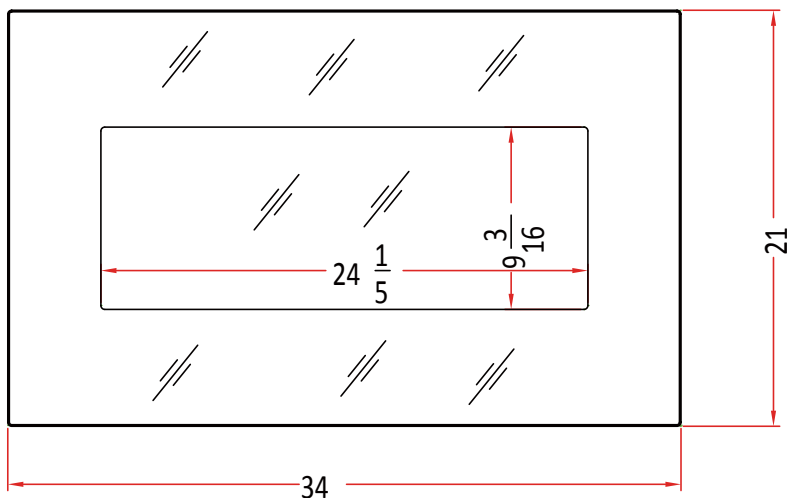
CONSERVEZ CES INSTRUCTIONS

WM-BI-28-3421

Numéro du modèle		WM-BI-28-3421
Description		Appareil encastrable
Tension		120V CA, 60Hz
Ampérage		11,7A
Watts		1400W
CHAUFFAGE	ÉLEVÉ	1350W
	BAS	675W
SANS CHAUFFAGE		15W
MOTEUR CHAUFFAGE		14,5W
MOTEUR FLAMMES		4W
Largeur De L'appareil (Verre Et Pierre)		28" ou 71,50 cm
Hauteur De L'appareil (Verre Et Pierre)		17" ou 43,00 cm
Profondeur De L'appareil Modèles Verre		5 1/2" ou 14,00 cm
Profondeur De L'appareil Modèles Pierre		7 3/16" ou 18,30 cm
Poids Brut Modèles Verre		46.76 lbs ou 21,21kg
Poids Brut Modèles Pierre		47.71 lbs ou 21,64 kg
Emplacement De La Fiche		Côté droit
Longueur Du Cordon		74.81" ou 190,00 cm
Ouverture Murale Approximative		31" x 17.5" ou 78,70cm x 44,40cm

Cet appareil a été testé selon les normes UL 2021 applicables aux États-Unis et au Canada pour les appareils de chauffage électriques installés de façon permanente. Si vous aviez besoin d'assistance en cours d'installation de l'appareil, veuillez contacter votre revendeur local.

REMARQUE : cet appareil doit être installé et mis à la terre conformément à la réglementation locale en vigueur. En l'absence de réglementation locale, appliquez la norme électrique canadienne CSA C22.1 au Canada, ou la norme électrique nationale ANSI/NFPA 70 aux États-Unis.

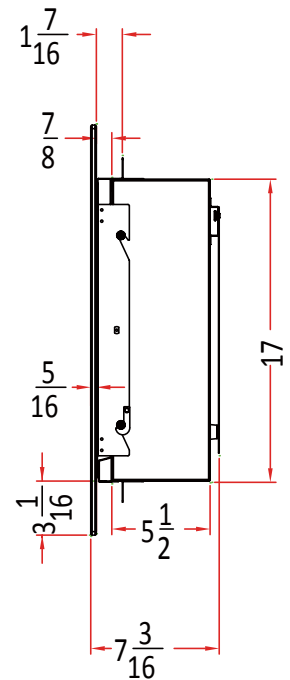
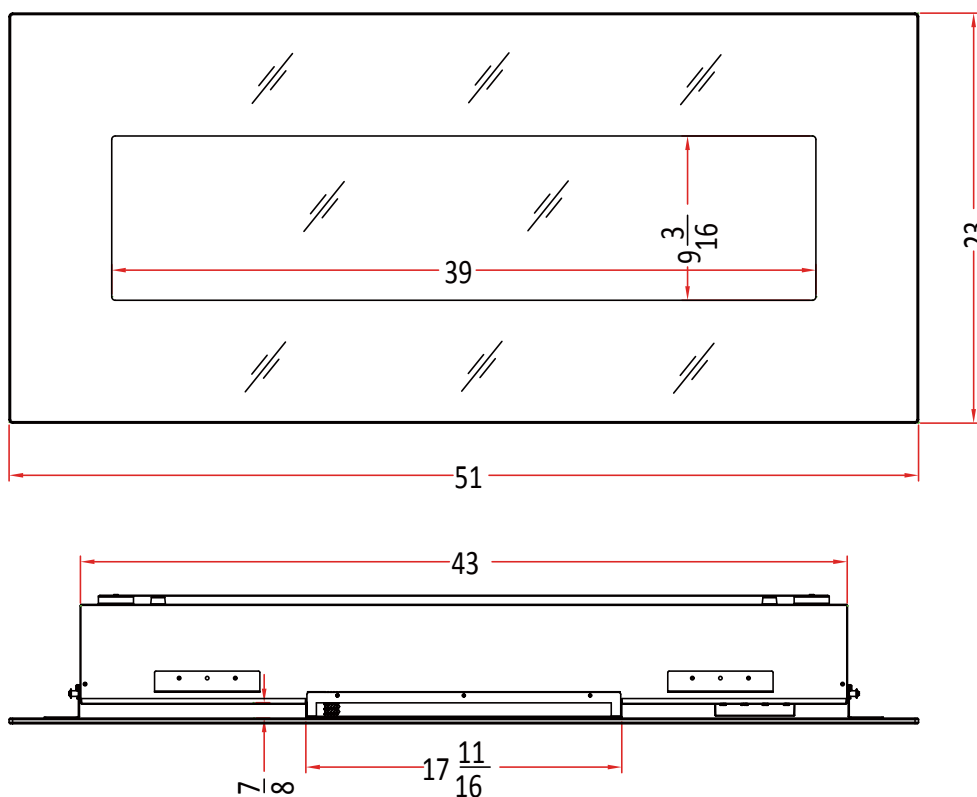


WM-BI-43-5123

Numéro du modèle		WM-BI-43-5123
Description		Appareil encastrable
Tension		120V CA, 60Hz
Ampérage		11,7A
Watts		1400W
CHAUFFAGE	ÉLEVÉ	1350W
	BAS	675W
SANS CHAUFFAGE		23W
MOTEUR CHAUFFAGE		14,5W
MOTEUR FLAMMES		4W
Largeur De L'appareil (Verre Et Pierre)		109,30 cm ou 43"
Hauteur De L'appareil (Verre Et Pierre)		43,00 cm ou 17"
Profondeur De L'appareil Modèles Verre		14,00 cm ou 5 ½"
Profondeur De L'appareil Modèles Pierre		18,30 cm ou 7 3/16"
Poids Brut Modèles Verre		31,75kg ou 70.00 lbs
Poids Brut Modèles Pierre		32,4kg ou 71.43 lbs
Emplacement De La Fiche		Côté droit
Longueur Du Cordon		190,00 cm ou 74.81"
Ouverture Murale Approximative		116,80cm x 44,40cm ou 46" x 17.5"

Cet appareil a été testé selon les normes UL 2021 applicables aux États-Unis et au Canada pour les appareils de chauffage électriques installés de façon permanente. Si vous aviez besoin d'assistance en cours d'installation de l'appareil, veuillez contacter votre revendeur local.

REMARQUE : cet appareil doit être installé et mis à la terre conformément à la réglementation locale en vigueur. En l'absence de réglementation locale, appliquez la norme électrique canadienne CSA C22.1 au Canada, ou la norme électrique nationale ANSI/NFPA 70 aux États-Unis.

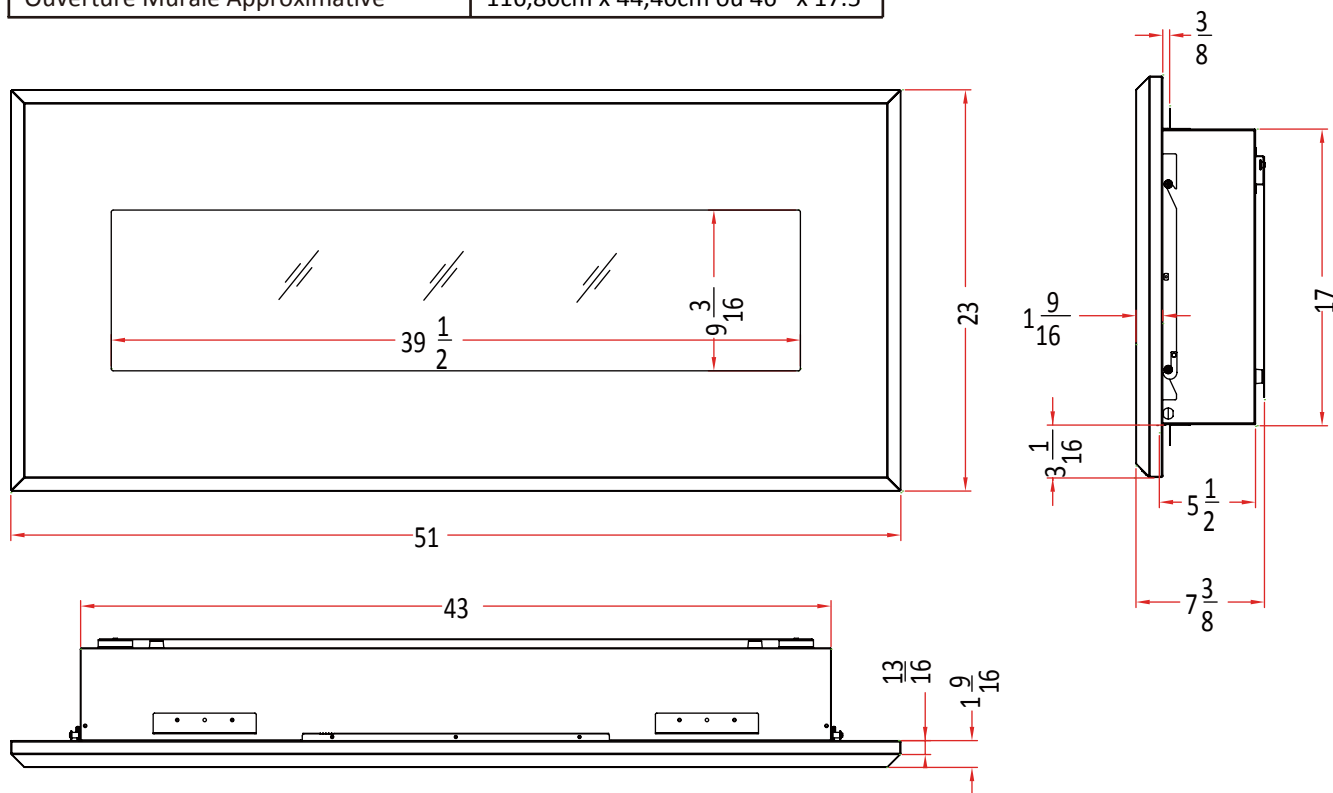


WM-BI-43-5123

Numéro du modèle		WM-BI-43-5123
Description		Appareil encastrable
Tension		120V CA, 60Hz
Ampérage		11,7A
Watts		1400W
CHAUFFAGE	ÉLEVÉ	1350W
	BAS	675W
SANS CHAUFFAGE		23W
MOTEUR CHAUFFAGE		14,5W
MOTEUR FLAMMES		4W
Largeur De L'appareil (Verre Et Pierre)		109,20 cm ou 43"
Hauteur De L'appareil (Verre Et Pierre)		43,00 cm ou 17"
Profondeur De L'appareil Modèles Verre		14,00 cm ou 5 1/2"
Profondeur De L'appareil Modèles Pierre		18,70 cm ou 7 3/8"
Poids Brut Modèles Verre		27,12kg ou 59.79 lbs
Poids Brut Modèles Pierre		27,77kg ou 61.22 lbs
Emplacement De La Fiche		Côté droit
Longueur Du Cordon		190,00 cm ou 74.81"
Ouverture Murale Approximative		116,80cm x 44,40cm ou 46" x 17.5"

Cet appareil a été testé selon les normes UL 2021 applicables aux États-Unis et au Canada pour les appareils de chauffage électriques installés de façon permanente. Si vous aviez besoin d'assistance en cours d'installation de l'appareil, veuillez contacter votre revendeur local.

REMARQUE : cet appareil doit être installé et mis à la terre conformément à la réglementation locale en vigueur. En l'absence de réglementation locale, appliquez la norme électrique canadienne CSA C22.1 au Canada, ou la norme électrique nationale ANSI/NFPA 70 aux États-Unis.

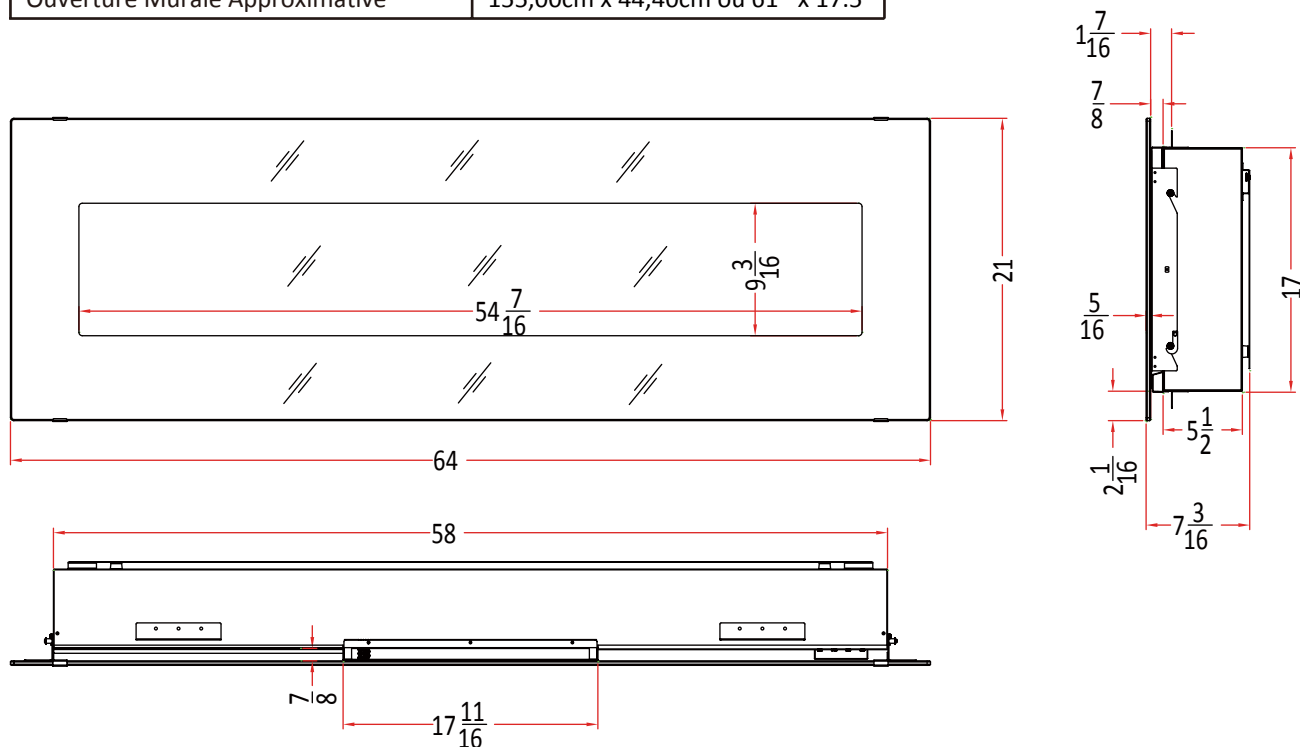


WM-BI-58-6421

Numéro du modèle		WM-BI-58-6421
Description		Appareil encastrable
Tension		120V CA, 60Hz
Ampérage		11,7A
Watts		1400W
CHAUFFAGE	ÉLEVÉ	1350W
	BAS	675W
SANS CHAUFFAGE		27W
MOTEUR CHAUFFAGE		14,5W
MOTEUR FLAMMES		6W
Largeur De L'appareil (Verre Et Pierre)		147,30 cm ou 58"
Hauteur De L'appareil (Verre Et Pierre)		43,00 cm ou 17"
Profondeur De L'appareil Modèles Verre		14,00 cm ou 5 ½"
Profondeur De L'appareil Modèles Pierre		18,30 cm ou 7 3/16"
Poids Brut Modèles Verre		38,55kg ou 86.93 lbs
Poids Brut Modèles Pierre		39,43kg ou 71.43 lbs
Emplacement De La Fiche		Côté droit
Longueur Du Cordon		190,00 cm ou 74.81"
Ouverture Murale Approximative		155,00cm x 44,40cm ou 61" x 17.5"

Cet appareil a été testé selon les normes UL 2021 applicables aux États-Unis et au Canada pour les appareils de chauffage électriques installés de façon permanente. Si vous aviez besoin d'assistance en cours d'installation de l'appareil, veuillez contacter votre revendeur local.

REMARQUE : cet appareil doit être installé et mis à la terre conformément à la réglementation locale en vigueur. En l'absence de réglementation locale, appliquez la norme électrique canadienne CSA C22.1 au Canada, ou la norme électrique nationale ANSI/NFPA 70 aux États-Unis.

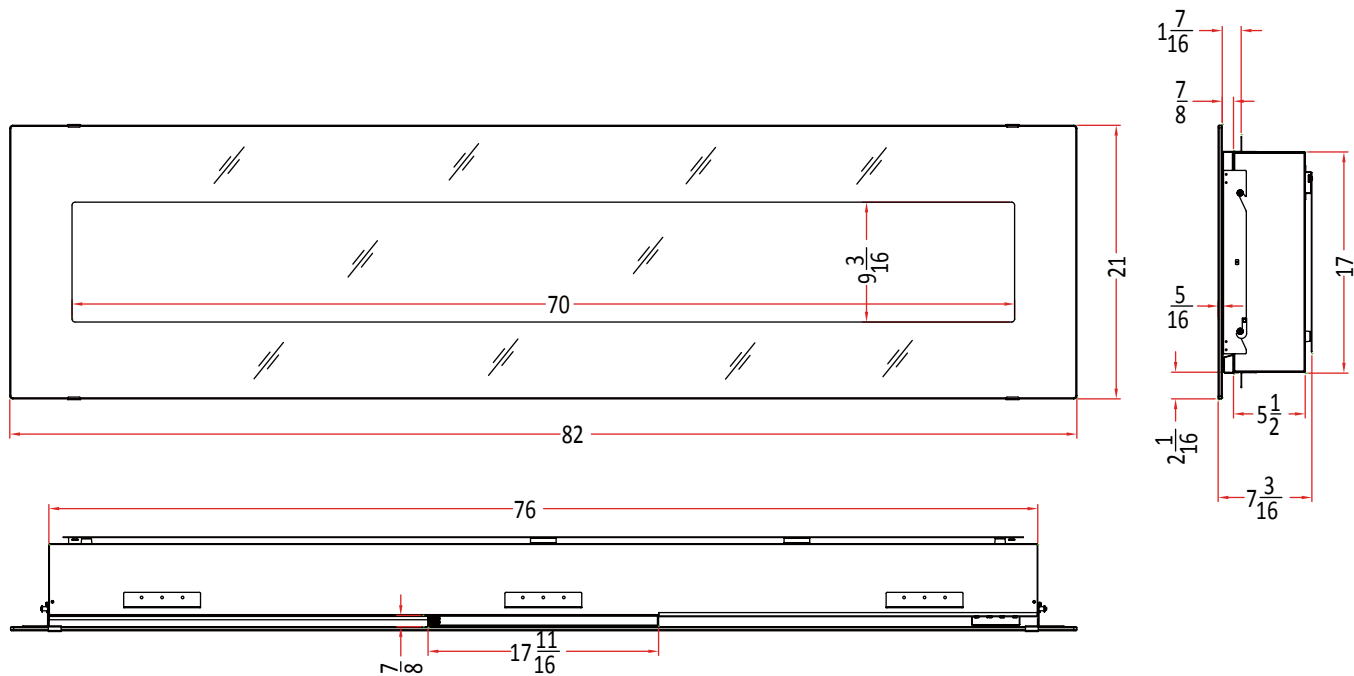


WM-BI-76-8221

Numéro du modèle		WM-BI-76-8221
Description		Appareil encastrable
Tension		120V CA, 60Hz
Ampérage		11,7A
Watts		1400W
CHAUFFAGE	ÉLEVÉ	1350W
	BAS	675W
SANS CHAUFFAGE		30W
MOTEUR CHAUFFAGE		14,5W
MOTEUR FLAMMES		6W
Largeur De L'appareil (Verre Et Pierre)		193,00 cm ou 76"
Hauteur De L'appareil (Verre Et Pierre)		43,00 cm ou 17"
Profondeur De L'appareil Modèles Verre		14,00 cm ou 5 ½"
Profondeur De L'appareil Modèles Pierre		18,30 cm ou 7 3/16"
Poids Brut Modèles Verre		47,33kg ou 104.35lbs
Poids Brut Modèles Pierre		48.48kg ou 106.88 lbs
Emplacement De La Fiche		Côté droit
Longueur Du Cordon		190,00 cm ou 74.81"
Ouverture Murale Approximative		200,70cm x 44,40cm ou 79" x 17.5"

Cet appareil a été testé selon les normes UL 2021 applicables aux États-Unis et au Canada pour les appareils de chauffage électriques installés de façon permanente. Si vous aviez besoin d'assistance en cours d'installation de l'appareil, veuillez contacter votre revendeur local.

REMARQUE : cet appareil doit être installé et mis à la terre conformément à la réglementation locale en vigueur. En l'absence de réglementation locale, appliquez la norme électrique canadienne CSA C22.1 au Canada, ou la norme électrique nationale ANSI/NFPA 70 aux États-Unis.

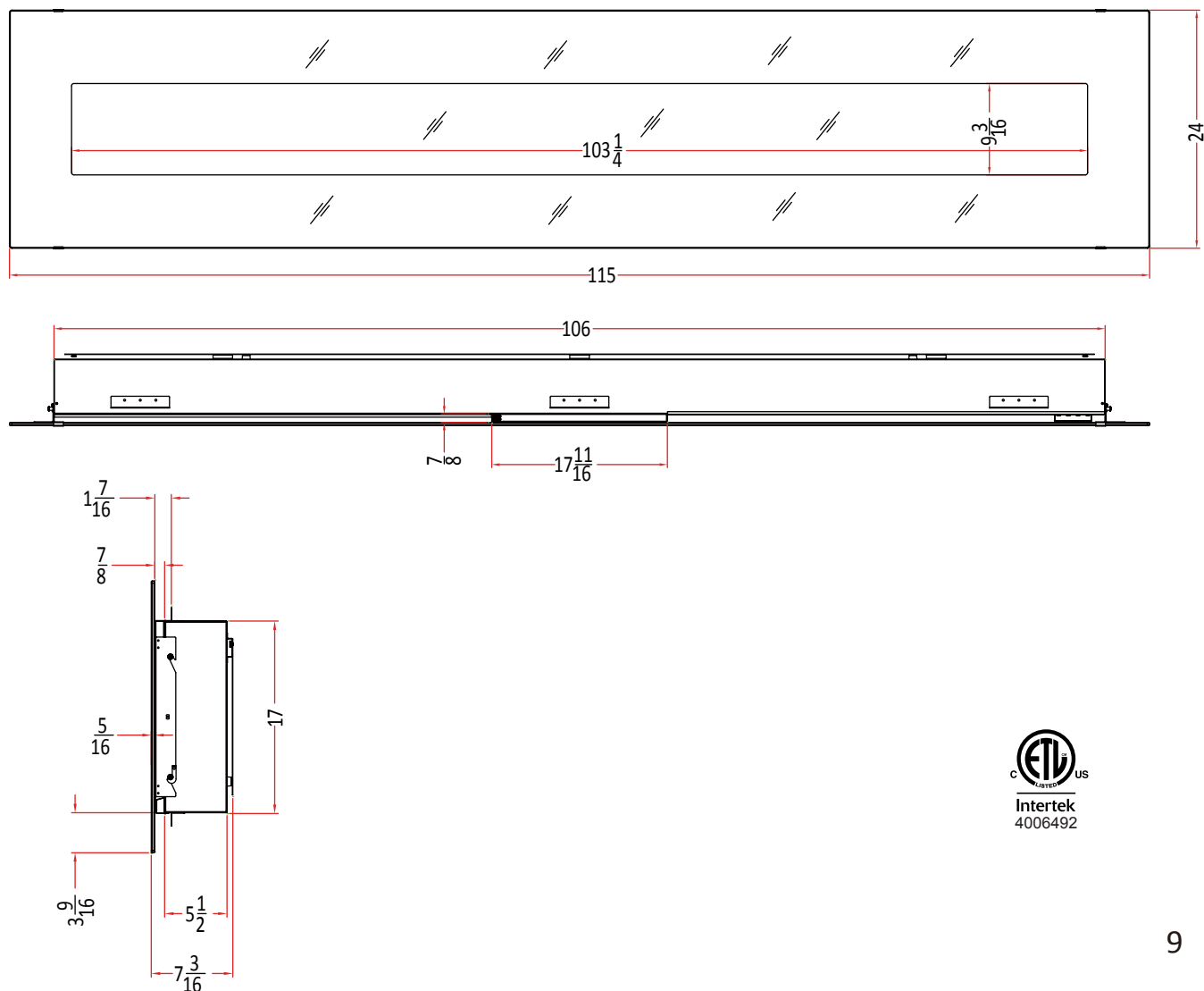


WM-BI-106-11524

Numéro du modèle		WM-BI-106-11524
Description		Appareil encastrable
Tension		120V CA, 60Hz
Ampérage		11,7A
Watts		1400W
CHAUFFAGE	ÉLEVÉ	1350W
	BAS	675W
SANS CHAUFFAGE		35W
MOTEUR CHAUFFAGE		14,5W
MOTEUR FLAMMES		6W
Largeur De L'appareil (Verre Et Pierre)		269,30 cm ou 106"
Hauteur De L'appareil (Verre Et Pierre)		43,00 cm ou 17"
Profondeur De L'appareil Modèles Verre		14,00 cm ou 5 ½"
Profondeur De L'appareil Modèles Pierre		18,30 cm ou 7 3/16"
Poids Brut Modèles Verre		69,69kg ou 153.64 lbs
Poids Brut Modèles Pierre		71,30kg ou 157.19 lbs
Emplacement De La Fiche		Côté droit
Longueur Du Cordon		190,00 cm ou 74.81"
Ouverture Murale Approximative		276,90cm x 44,40cm ou 109" x 17.5"

Cet appareil a été testé selon les normes UL 2021 applicables aux États-Unis et au Canada pour les appareils de chauffage électriques installés de façon permanente. Si vous aviez besoin d'assistance en cours d'installation de l'appareil, veuillez contacter votre revendeur local.

REMARQUE : cet appareil doit être installé et mis à la terre conformément à la réglementation locale en vigueur. En l'absence de réglementation locale, appliquez la norme électrique canadienne CSA C22.1 au Canada, ou la norme électrique nationale ANSI/NFPA 70 aux États-Unis.





SÉLECTION DU SITE

Votre nouvelle cheminée peut être fixée à un mur, insérée dans un espace existant ou encastrée dans un mur.

Avant de procéder à l'installation, prenez soigneusement en considération les aspects suivants:

- Dimensions de l'appareil
- L'appareil requiert au minimum deux (2) poteaux de cloison afin de garantir une fixation robuste.

Deux méthodes d'installation sont possibles:

- Encastrement (Page 13)
- Montage Mural (Page 14)

Calibre Du Câblage D'alimentation		
Tension	Calibre	Fusible
120 V	14	15 AMP

Calibre Du Câblage Interrupteur / Thermostat	
Tension	Calibre
5 Volts	18

REMARQUE : un circuit de 15 ampères, 120 volts est requis. Un circuit dédié est recommandé, mais n'est pas essentiel dans tous les cas.



AVERTISSEMENT:

Veillez à ce que le cordon d'alimentation ne soit pas installé de telle sorte à être pincé ou poussé contre un bord tranchant, et assurez-vous que le cordon soit parfaitement agencé ou fixé de telle sorte à éviter les piétinements ou les trébuchements afin de minimiser les risques d'incendie, d'électrocution ou de blessures corporelles.

La construction et le câblage des prises secteur doivent être conformes aux codes de construction et autres réglementations applicables en vigueur afin de minimiser les risques d'incendie, d'électrocution ou de blessures corporelles.

Pour minimiser les risques d'incendie, ne stockez ni n'utilisez jamais de l'essence ou tout autre liquide ou vapeur inflammable à proximité de cet appareil.



REMARQUE : AVANT DE PROCÉDER À L'INSTALLATION

1. Sélectionnez un emplacement qui ne risque pas d'être exposé à l'humidité et à la poussière, et qui soit suffisamment à l'écart des lieux à fort passage et des éléments potentiellement inflammables tels que rideaux, coussins, mobilier etc.
2. Pour un effet optimal, installez votre cheminée à l'écart de la lumière directe du soleil et d'un éclairage vertical.
3. Si possible, sélectionnez un emplacement à proximité d'une prise secteur existante permettant un branchement électrique aisé.
4. Retirez la cheminée, le panneau frontal, les pierres décoratives ainsi que tous les autres éléments du carton, puis retirez le matériel d'emballage avant de procéder à l'installation (Figures 1, 2, 3, 4).
5. Branchez l'appareil, puis appuyez sur le bouton MARCHE/ARRÊT sur la cheminée ou sur la télécommande (veillez à ce que les piles soient installées dans la télécommande). Assurez-vous ensuite que les voyants LED de l'appareil fonctionnent correctement (voir page 17).
6. Appuyez sur le bouton MARCHE/ARRÊT sur la cheminée pour éteindre l'appareil, puis retirez la fiche de la prise secteur. Rangez votre cheminée dans un lieu sûr, sec et à l'abri de la poussière jusqu'à ce que vous soyez prêt à l'installer.

LISTE DES ÉLÉMENTS

Cette cheminée électrique assemblée et fournie avec:

- Un manuel d'installation et d'utilisation
- Une télécommande

OUTILS & FOURNITURES

HABITUELLEMENT REQUIS

OUTILS:

Tournevis Cruciforme
 Marteau
 Scie Et/ou Scie Sauteuse
 Niveau
 Mètre Ruban
 Fil À Plomb
 Perceuse Et Forêts
 Tenailles
 Équerre
 Gants

FOURNITURES:

Matériel D'encadrement
 Matériel de finition mural
 Matériel de calfatage
 (non combustible)

VUE D'ENSEMBLE DE L'INSTALLATION



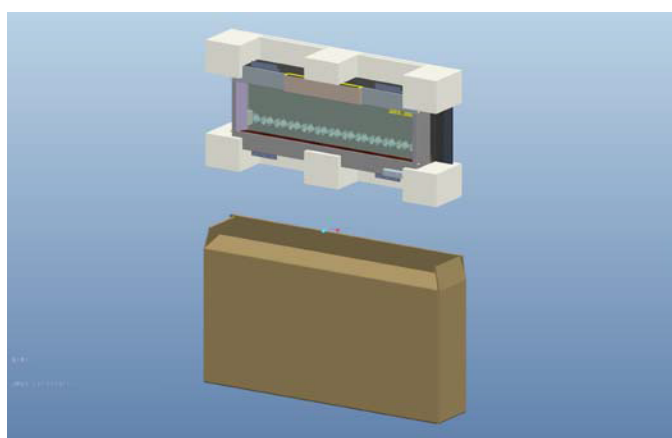
Repérez les pierres décoratives et mettez-les de côté pour la suite.
(Voir page 13)

Figure 1



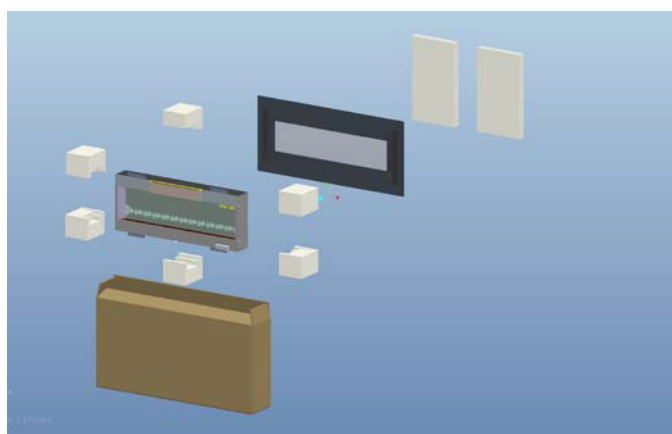
Retirez les côtés du carton.

Figure 2



Retirez l'emballage entourant l'appareil et le panneau frontal.

Figure 3

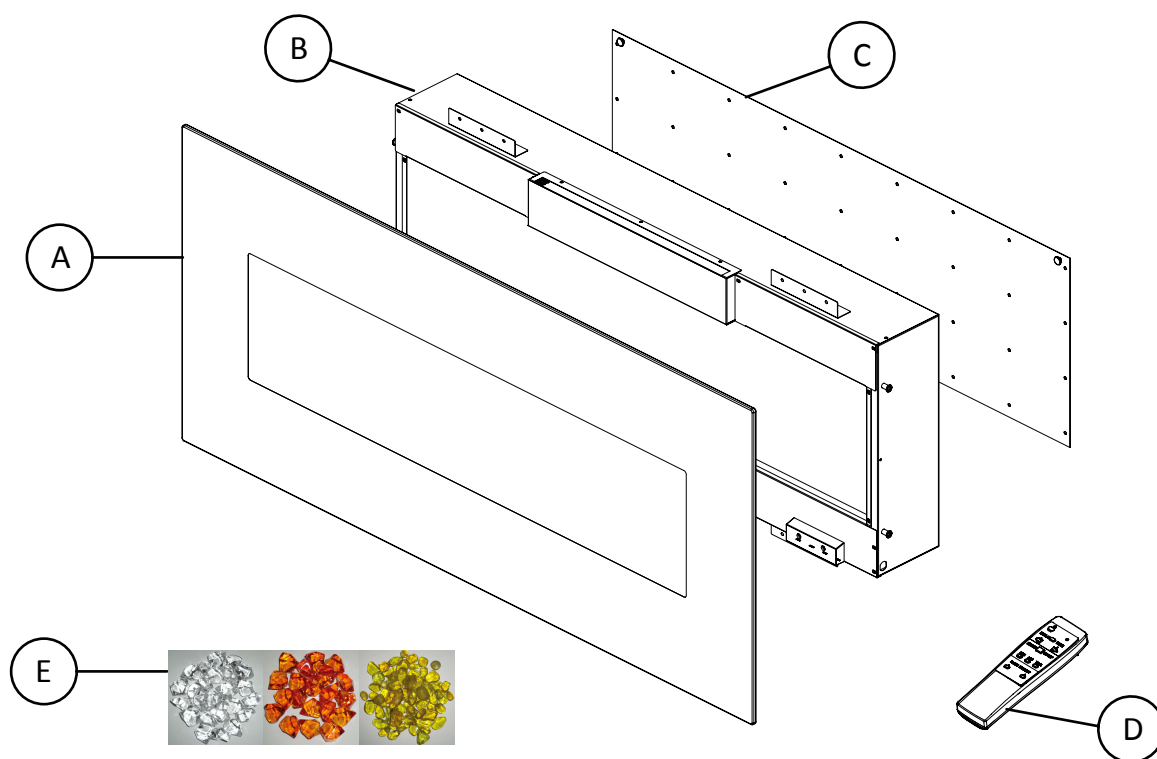


Mettez le matériel d'emballage au rebut et stockez votre cheminée dans un lieu sûr et au sec.

Figure 4



CONTENU DE L'EMBALLAGE



Pièce	Description	Quantité
A	Panneau frontal en verre	1
B	Appareil de chauffage	1
C	Support mural	1
D	Télécommande	1
E	Pierres décoratives	1

CONTENU

Pièce	Description	Quantité	Illustration
A	Vis 0,41cm x 2,54cm (0.16 in x 1.0 in)	20	
B	Cheville 0,75cm x 3,8cm (0.3 in x 1.5 in)	20	
C	Vis à bois 0,41cm x 1,52cm (0.16 in x 0.6 in)	12	
D	Vis 0,41cm x 0,75cm (0.16 in x 0.3 in)	2	

INSTALLATION DE LA CHEMINÉE - ENCASTREMENT

CONSTRUCTION NEUVE OU RÉNOVATION

ATTENTION:

Deux personnes peuvent être requises pour ce type d'installation.

1. Sélectionnez un emplacement à l'abri de l'humidité et situé à au moins 0,91 cm (ou 3 pieds) d'éléments inflammables tels que rideaux, draperies, meubles, literie, papier etc.

Distance des éléments inflammables

Paroi latérales ----- 5,08 cm (2")

Sol ----- 5,08 cm (2")

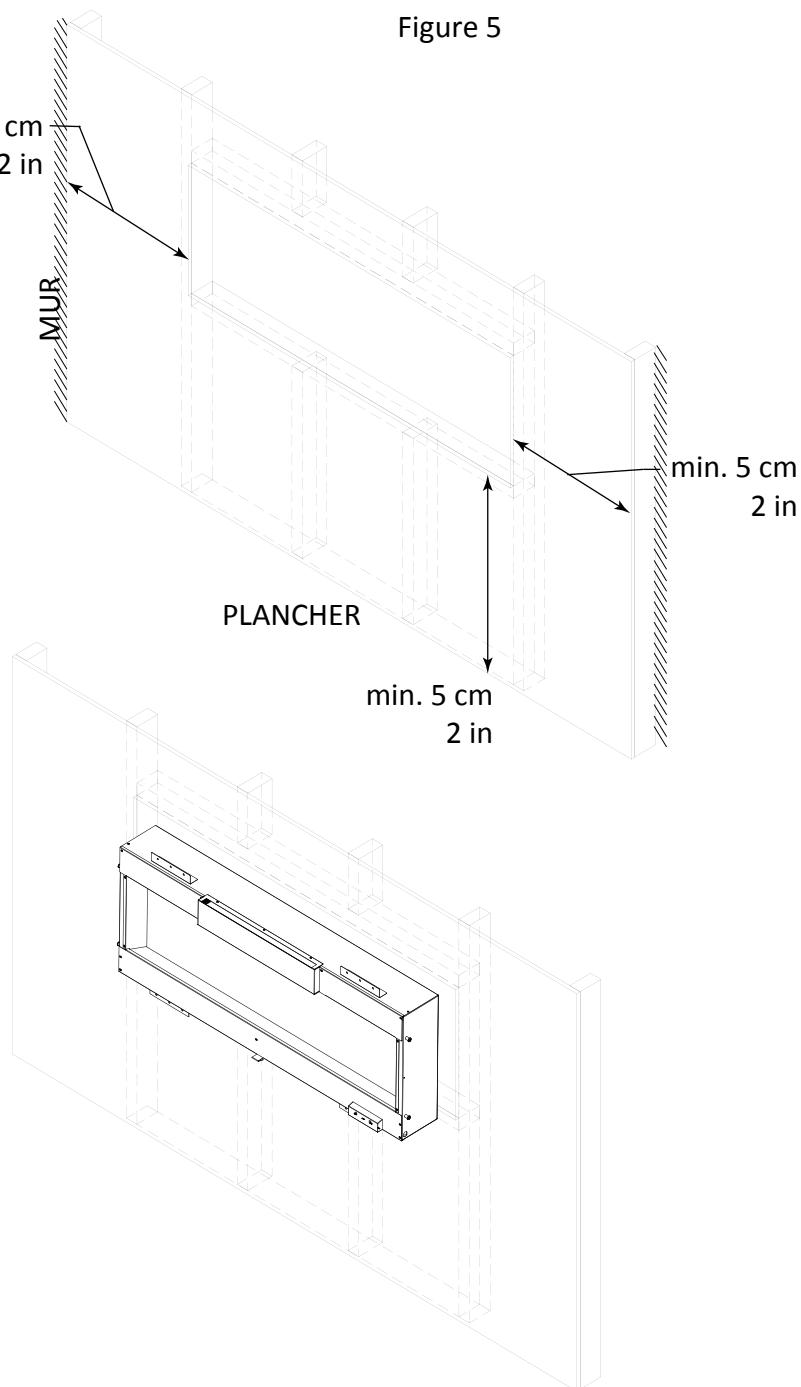
Haut ----- 5,08 cm (2")

Arrière ----- 0 cm (0")

2. Positionnez l'appareil à l'emplacement choisi pour voir le rendu.

3. Marquez l'emplacement choisi au sol et rangez la cheminée dans un lieu sûr, au sec et à l'abri de la poussière.

4. Préparez une ouverture dans le mur aux dimensions de votre appareil. Veillez à laisser un minimum de 6mm (1/4") de dégagement tout autour de l'appareil. Une installation électrique neuve doit être effectuée conformément aux normes locales et nationales et autres réglementations en vigueur. (Figure 5)



AVERTISSEMENT :

Pour éviter tout contact avec une isolation lâche ou mal fixée, l'appareil électrique ne doit pas être installé contre un pare-vapeur ou une isolation nue. Cela risquerait de provoquer une surchauffe pouvant déclencher un incendie.



AVERTISSEMENT :

Ne tentez jamais d'effectuer par vous-même le câblage de vos nouvelles prises secteur ou circuits électriques. Pour minimiser les risques de blessures, d'incendie, ou d'électrocution, faites appel à un électricien qualifié.

INSTALLATION DE LA CHEMINÉE - ENCASTREMENT

REMARQUE : AVANT DE PROCÉDER À L'INSTALLATION

- Pour les modèles avec panneau frontal en verre :
Les appareils doivent ressortir du mur d'au moins 5,4 cm ou 2 1/8''

1. Soulevez la cheminée et insérez-la dans l'ouverture. Ajustez l'appareil pour obtenir la profondeur voulue. (Figure 6)

2. Assurez-vous que le port d'alimentation ne se trouve pas derrière le mur.

3. Mettez la cheminée à niveau.

4. Insérez les vis de montage dans le support de montage (brides de fixation) de l'appareil puis dans les chevilles murales. (Figure 7)

Figure 6

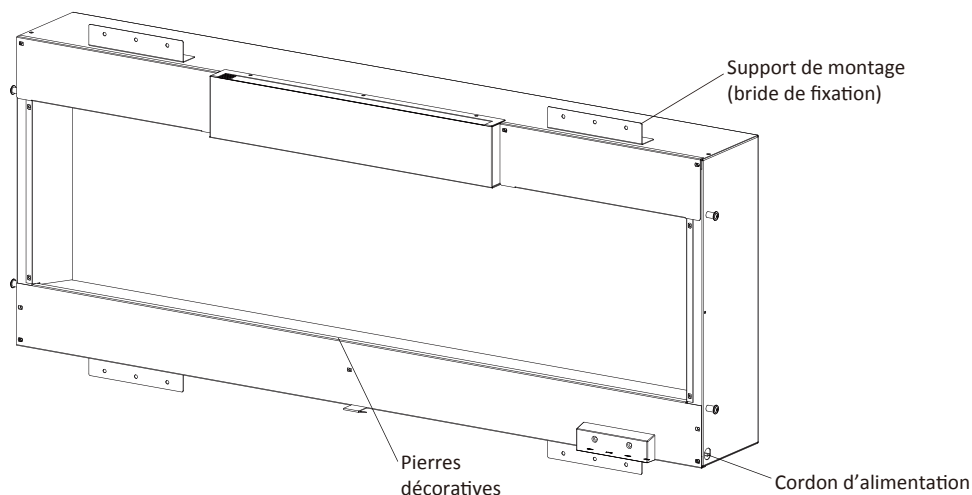
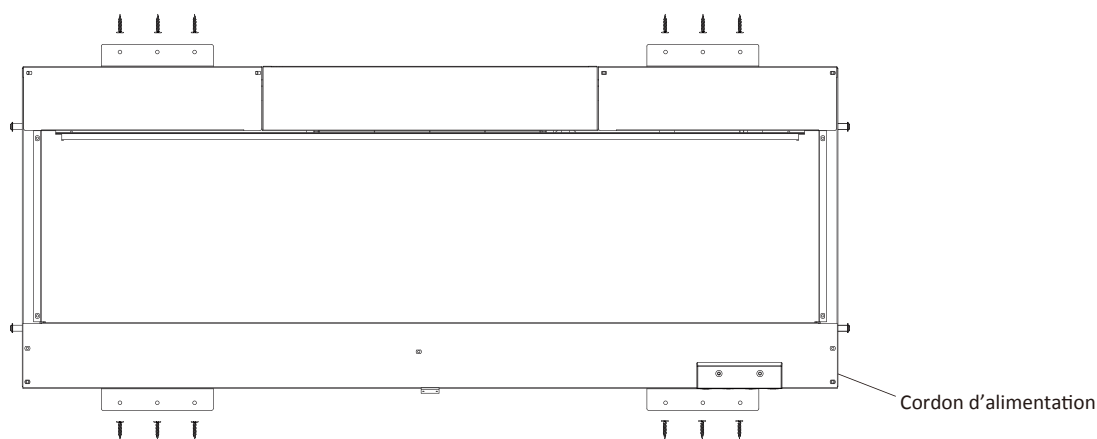


Figure 7

Mur



INSTALLATION DE LA CHEMINÉE - MONTAGE MURAL



REMARQUE : AVANT DE PROCÉDER À L'INSTALLATION

Dans la mesure du possible, il est vivement recommandé de visser les vis de fixation dans les poteaux de cloison. Si des poteaux ne peuvent être utilisés, veillez à recourir à des chevilles en plastique.

1. Fixez le support de montage fourni au mur. (Figure 8)

- Veillez à ce que le support soit parfaitement à niveau.

2. Soulevez la cheminée et insérez les ergots de fixation dans les orifices de montage soudés à l'arrière de l'appareil. (Figure 9, Figure 10)

3. Vérifiez la stabilité de l'appareil et assurez-vous que la cheminée ne puisse se détacher du mur.

Figure 8

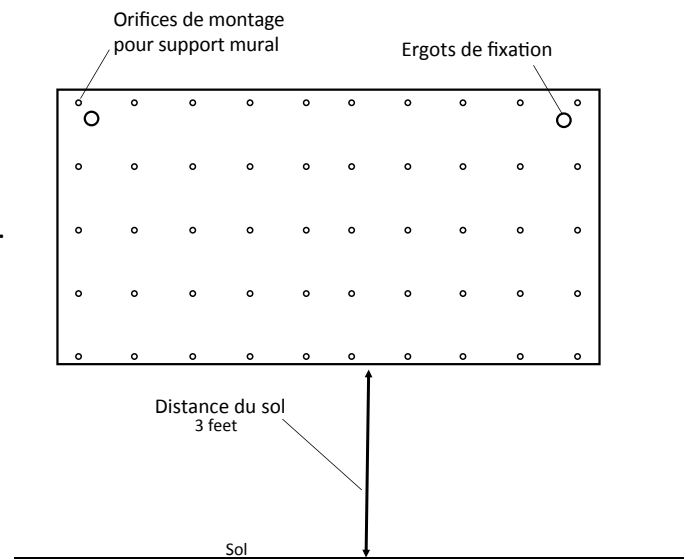
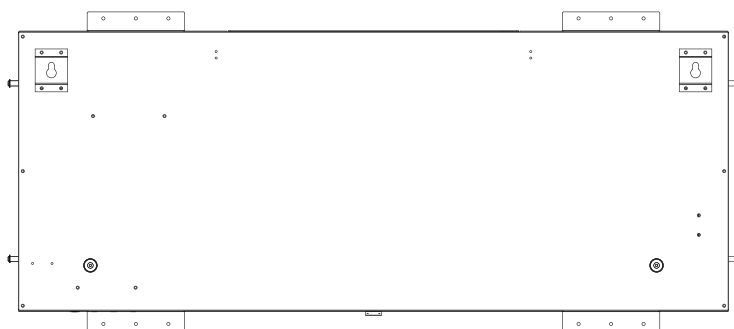
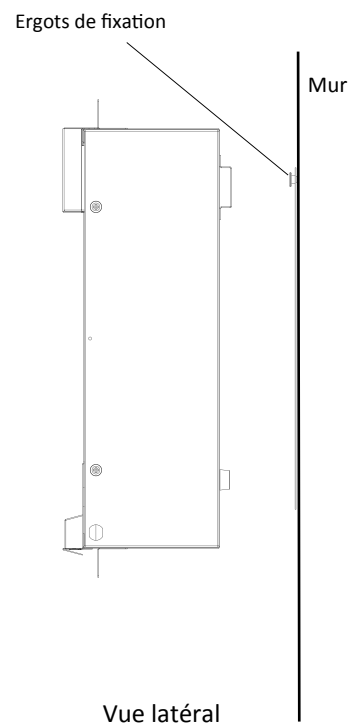


Figure 9



Arrière de l'appareil

Figure 10



Vue latéral

INSTALLATION DES PIERRES DÉCORATIVES



REMARQUE : AVANT DE PROCÉDER À L'INSTALLATION

NETTOYAGE DES PIERRES DÉCORATIVES : les pierres décoratives peuvent contenir une fine poudre blanche devant être éliminée avant l'installation. Nettoyez les pierres décoratives à l'aide d'eau savonneuse, égouttez, rincez, puis séchez soigneusement avant de placer les pierres sur le plateau.

1. Pour changer de rondin de bois au pierres de feu vitrées. (Figure 12.1) Débranchez l'appareil du mur et assurez-vous que les contrôles sont désactivés. Et soulevez le rodin indiqué.
2. Choisissez la couleur de pierres de feu vitrées que vous voulez utiliser. (Figure 11)
3. Placez les pierres de feu vitrées dans le plateau. (Figure 12.2)
(Built-in installation représentée – La méthode d'installation les pierres de feu vitrées est le même pour les modèles du SÉRIE ENCASTRÉE et pour les modèles du Serie ÉLECTRIQUES MURAUX.)

- Il n'est pas nécessaire d'utiliser tous les supports fournis.

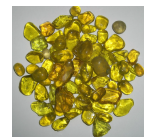
Figure 11



HZ-01 Clear



Hz-10 Lune des moissons



G1015 Arche d'ambre

Figure 12.1

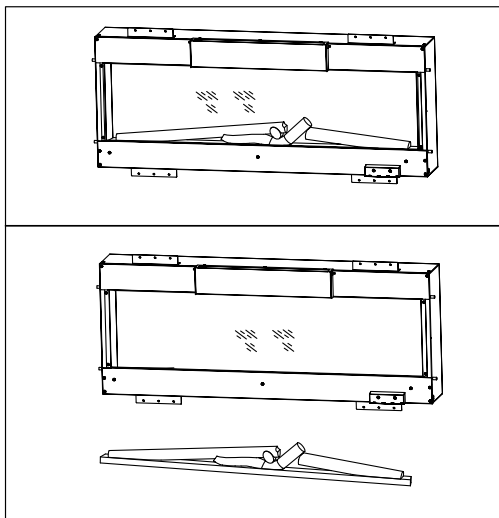
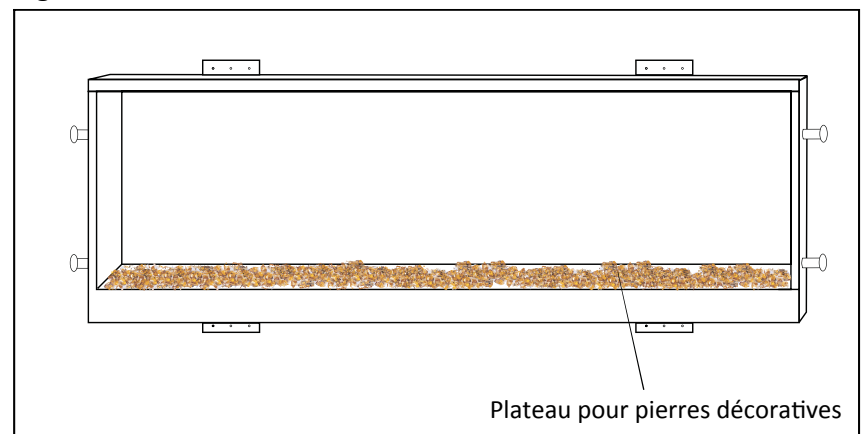


Figure 12.2





REMARQUE : AVANT DE PROCÉDER À L'INSTALLATION

Figure 13

Il est recommandé que l'installation du panneau frontal soit effectuée par deux personnes ; le port de lunettes et de gants de sécurité est également préconisé lors de la manipulation du verre.

1. Soulevez le panneau frontal de la cheminée (Figure 13) et alignez les quatre crochets du panneau avec les quatre (4) vis à épaulement situées de part et d'autre du corps de l'appareil (Figure 14 ou Figure 15).
2. Fixez le panneau frontal sur l'appareil.

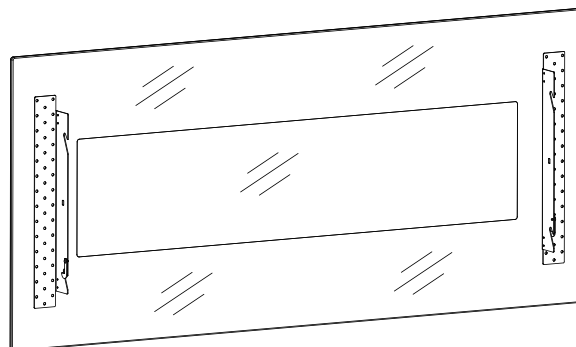
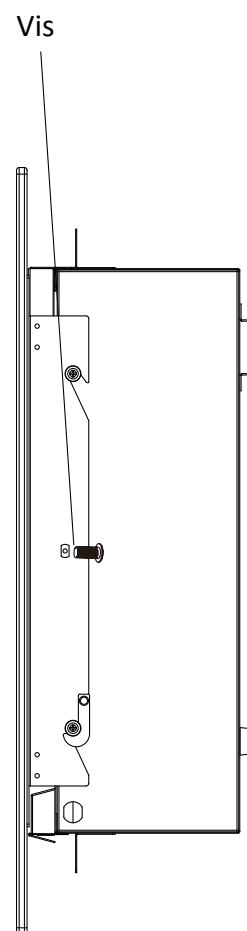
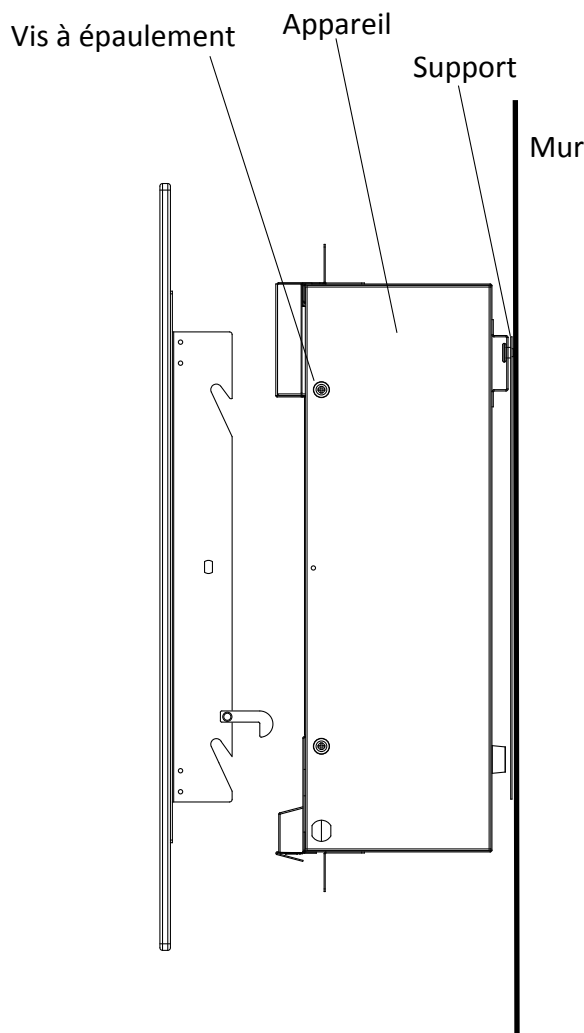
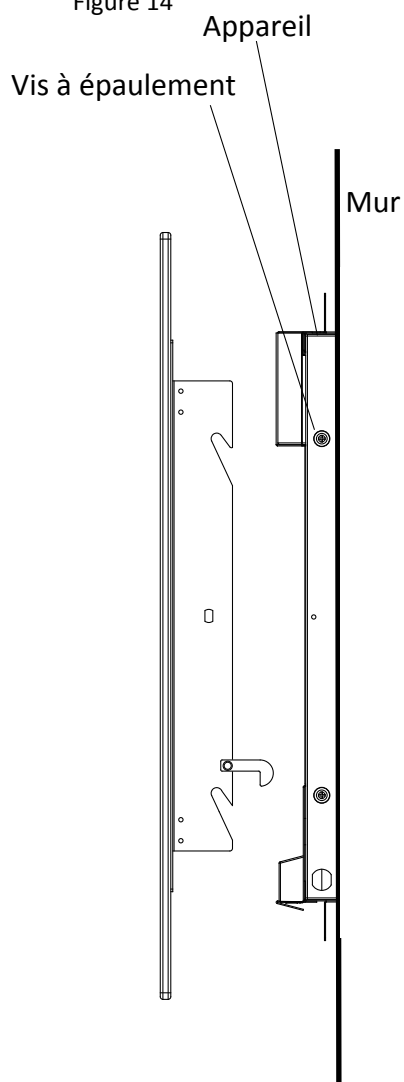


Figure 14

Figure 15

Figure 16



Installation Par Encastrement

Installation par montage mural



ALIMENTATION DE L'APPAREIL

1. Assurez-vous que l'appareil est bien ÉTEINT (reportez-vous page 16 pour plus de détails).
2. Branchez l'adaptateur fourni sur le port d'alimentation situé du côté droit de l'appareil (Figure 17).
3. Branchez l'appareil sur une prise secteur.



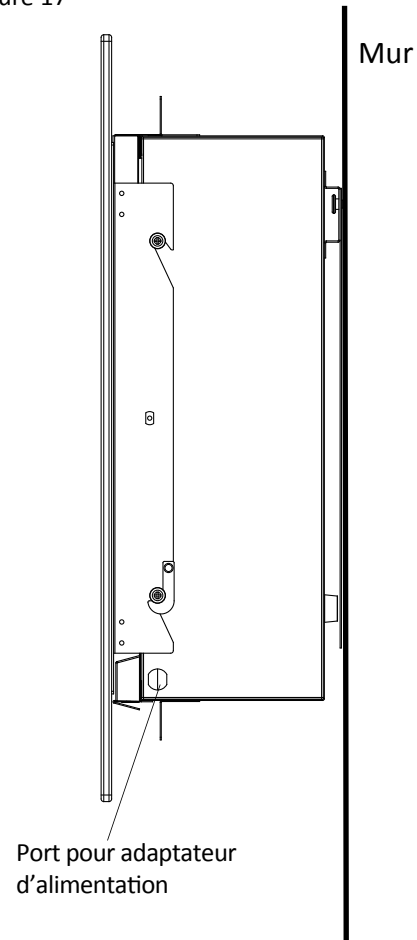
AVERTISSEMENT:

Ne tentez jamais d'effectuer par vous-même le câblage de vos nouvelles prises secteur ou circuits électriques. Pour minimiser les risques de blessures, d'incendie, ou d'électrocution, faites appel à un électricien qualifié.

Si l'appareil surchauffe, l'interrupteur thermique de sécurité se déclenche automatiquement. Débranchez alors l'appareil, laissez-le refroidir pendant 15 minutes, puis rebranchez-le.

Assurez-vous qu'aucun objet pouvant limiter la ventilation ou provoquer une élévation de la température ne se trouve sur ou à proximité de l'appareil.

Figure 17



UTILISATION DE L'APPAREIL



AFFICHAGE ET FONCTIONS

Figure 18

a. IR: Capteur infrarouge recevant les signaux (entrées).

b. MARCHE/ARRÊT: (Témoin

d'alimentation) Ce voyant est allumé lorsque l'appareil fonctionne; il est éteint lorsque l'appareil est éteint ou se trouve en mode veille.

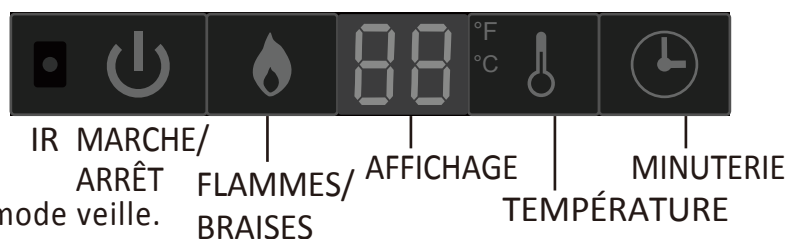
c. FLAMMES/BRAISES: (Témoin éclairage flammes et éclairage braises) Ce voyant est allumé lorsque l'éclairage flammes et braises est allumé ; il est éteint lorsque ces éclairages sont éteints.

d. AFFICHAGE: (Affichage numérique multifonctions) Ce panneau affiche le réglage d'intensité de l'éclairage flammes et braises, du niveau 0 à 5. Lorsque le réglage de la température est en cours, le panneau indique la valeur correspondante en °F/°C. Il peut également afficher l'heure lorsque la minuterie est en cours de réglage, ainsi que le niveau de chauffage. Lorsqu'une fonction est en cours de modification, l'affichage indique la fonction en cours. Après 5 secondes sans action, l'affichage numérique s'éteint. En cas de réglage manuel du chauffage sur le niveau 1 ou 2, l'affichage indique 1 ou 2.

e. TEMPÉRATURE: (Témoin de température) Ce voyant s'allume uniquement lorsque le chauffage est allumé.

f. MINUTERIE: (Témoin de minuterie) Ce voyant s'allume uniquement lorsque la fonction minuterie est activée.

g. °C / °F: (Affichage de l'unité de température) L'indicateur de l'unité de température utilisée s'affiche à côté de la température lors du réglage de celle-ci.



CONTRÔLE DE LA CHEMINÉE

Figure 19

MODES DE CONTRÔLE:

A: Modes De Contrôle:

B : Boutons De Commande Sur L'appareil

A: Contrôle Par Télécommande

Télécommande: Cette télécommande infrarouge (IR) d'une portée de 5-7 mètres propose 10 boutons (le voyant d'état rouge s'allume lorsque l'utilisateur appuie sur un bouton).



PUISSANCE: Permet d'allumer / d'éteindre l'appareil (permet également de mémoriser un réglage et de rétablir les paramètres par défaut de l'appareil à l'instar du bouton 'PUISSANCE' sur la cheminée) ; le voyant MARCHE/ARRÊT sur l'appareil principal s'allume lorsque la cheminée fonctionne.



RÉGLAGE DE LA MINUTERIE: Appuyez sur ce bouton pour régler le délai de la minuterie par palier de ½ heure. La plage de réglage va de 0H à 9H (par exemple, si la minuterie est réglée sur 1, l'appareil s'éteindra automatiquement après 1 heure. Si la minuterie est réglée sur 0, l'appareil continuera à fonctionner sans interruption).

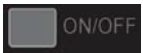




DIMINUTION DE L'INTENSITÉ DES BRAISES: Appuyez sur le bouton de la flèche GAUCHE pour diminuer l'intensité de l'éclairage des braises. Le niveau 1 est le niveau le moins élevé. Si le niveau en cours est 1, une pression sur ce bouton n'aura AUCUN effet. En cours de modification du réglage, le panneau d'affichage de l'appareil principal indique simultanément le niveau d'éclairage sélectionné.



AUGMENTATION DE L'INTENSITÉ DES BRAISES: Appuyez sur le bouton de la flèche DROITE pour augmenter l'intensité de l'éclairage des braises. Le niveau 5 est le niveau le plus élevé. Si le niveau en cours est 5, une pression sur ce bouton n'aura AUCUN effet. En cours de modification du réglage, le panneau d'affichage de l'appareil principal indique simultanément le niveau d'éclairage sélectionné.



MISE EN MARCHE/ARRÊT DU CHAUFFAGE: Appuyant sur le bouton vous pouvez rallumer l'appareil ON / OFF.

ON: Le chauffe-eau est prêt à démarrer. Panneau d'affichage indique "ON" et le visuel sur l'indicateur disparaît à son tour au bout de 5 secondes.

OFF: Panneau d'affichage indique "--".

Si vous souhaitez régler le thermostat il suffit d'utiliser la touche TEMP sur la touche à distance et de chaleur sur le panneau d'affichage du foyer affiche elle va de 68 -86 °F. Encore une fois au bout de 5 secondes, l'écran s'éteint. Si vous souhaitez changer le réglage simplement continuer à pousser sur le bouton jusqu'à ce que la température désirée.

Le chauffe-eau fonctionnera automatiquement à la température réglée. Si vous souhaitez désactiver, allez sur la télécommande pour chauffe bouton marche / arrêt.



NIVEAU DE CHAUFFAGE ÉLEVÉ: Après avoir appuyé sur le bouton de mise en marche/arrêt du chauffage, appuyez sur ce bouton pour sélectionner manuellement le niveau de chauffage 2, le plus élevé (uniquement disponible si la température ambiante de la pièce est inférieure à 30°C / 86°F).



NIVEAU DE CHAUFFAGE FAIBLE: Après avoir appuyé sur le bouton de mise en marche/arrêt du chauffage, appuyez sur ce bouton pour sélectionner manuellement le niveau de chauffage 1, le moins élevé (uniquement disponible si la température ambiante de la pièce est inférieure à 30°C / 86°F).



RÉGLAGE DE LA TEMPÉRATURE: Appuyez sur ce bouton pour régler la température par palier de 1°C. Une fois la température réglée, le programme sélectionnera automatiquement le niveau de chauffage requis sur la base de la différence entre la valeur sélectionnée et la température ambiante de la pièce. La plage de réglage cyclique va de 20°C à 30°C (68°F – 86°F). Lorsque la valeur est réglée sur 30°C (86°F), une pression sur ce bouton ramènera la valeur à 20°C (68°F).



DIMINUTION DE L'INTENSITÉ DES FLAMMES: Appuyez sur le bouton moins (-) pour diminuer l'intensité de l'éclairage des flammes (réglage par défaut = 5). Le niveau 0 est le niveau le moins élevé. Si le niveau en cours est 0, une pression sur ce bouton n'aura AUCUN effet. En cours de modification du réglage, le panneau d'affichage de l'appareil principal indique simultanément le niveau d'éclairage sélectionné.



AUGMENTATION DE L'INTENSITÉ DES FLAMMES: Appuyez sur le bouton plus (+) pour augmenter l'intensité de l'éclairage des flammes (réglage par défaut = 5). Le niveau 5 est le niveau le plus élevé. Si le niveau en cours est 5, une pression sur ce bouton n'aura AUCUN effet. En cours de modification du réglage, le panneau d'affichage de l'appareil principal indique simultanément le niveau d'éclairage sélectionné.

B : Contrôle Par Boutons De Commande Sur L'appareil

POWER (puissance) : (mise en marche/arrêt de l'appareil)

Ce bouton permet d'allumer et d'éteindre la cheminée, mais aussi de mémoriser un réglage et de rétablir les paramètres par défaut.

Figure 20



FLAME (flammes) : (bouton de l'éclairage des flammes et des braises)

Le niveau d'intensité de l'éclairage va de 0 à 5 (réglage par défaut = 5), 5 étant le niveau le plus élevé. Appuyez une fois sur ce bouton pour augmenter l'intensité d'un niveau. Le réglage s'effectue de manière cyclique. Lorsque le niveau 5 est sélectionné, une pression sur ce bouton ramènera le niveau à 0. L'intensité de l'éclairage des flammes et des braises est synchronisée. L'intensité sera modifiée une fois un niveau sélectionné. Après 5 secondes sans action, le niveau affiché sera appliqué et l'affichage indiquera alors le niveau de chauffage. Les flammes sont composées des couleurs rouge, ambrée et bleue. Le niveau d'intensité de chaque couleur peut être réglé de la même façon.

HEAT: (état du chauffage : la température réglée doit être supérieure à la température ambiante de la pièce. Le chauffage sera automatiquement désactivé lorsque la température ambiante atteint la température réglée).

(I) Appuyez sur ce bouton pour régler la température par palier de 1°C. Une fois la température réglée, le programme sélectionnera automatiquement le niveau de chauffage requis sur la base de la différence entre la valeur sélectionnée et la température ambiante de la pièce. La plage de réglage cyclique va de 20°C à 30°C (68°F – 86°F). Lorsque la valeur est réglée sur 30°C (86°F), une pression sur ce bouton ramènera la valeur à 20°C (68°F). La température par défaut est de 20°C (68°F). En l'absence d'action, la température reste affichée pendant 5 secondes. Le voyant HEAT de l'appareil principal reste allumé (pour les deux niveaux de chauffage) jusqu'à ce que le chauffage soit éteint.

(II) (commutation de l'unité de température) En appuyant pendant 4 secondes ou plus sur ce bouton, l'unité d'affichage de la température passe de °F à °C. (Pour les modèles de la gamme UL/CSA, l'unité de température par défaut est °F)

TIMER: (minuterie)

La plage de réglage de la minuterie va de 0 à 9 heures par palier de ½ heure – c'est-à-dire que l'utilisateur peut régler la minuterie comme suit : ½ heure, 1 heure, 1 ½ heure etc. Chaque pression sur ce bouton augmente la durée d'un palier (½ heure). Le réglage de la minuterie est cyclique. Lorsque le réglage affiché est de 9 heures, une pression sur ce bouton fait revenir la durée à 0 heure. Après 5 secondes sans action, le délai affiché sera appliqué et l'affichage indiquera alors le niveau de chauffage.

REEMPLACEMENT DES PILES DE LA TÉLÉCOMMANDE

Lorsque la télécommande arrête de fonctionner ou lorsque sa portée semble réduite, il est temps d'insérer des piles neuves. Si vous pensez ne pas avoir à utiliser la télécommande pendant une période prolongée, retirez les piles.

1. Le compartiment à piles se trouve au dos de la télécommande.
2. Poussez la petite languette vers l'intérieur tout en faisant glisser le cache du compartiment pour l'ouvrir, puis retirez les piles usagées.
3. Insérez (2) piles de type AAA (non fournies) en veillant à respecter les polarités + et - indiquées à l'intérieur du compartiment.
4. Remettez le cache du compartiment en place.

ATTENTION:

- Achetez systématiquement des piles de taille et de type adaptés à l'utilisation prévue.
- Remplacez simultanément toutes les piles.
- Avant d'insérer les piles, nettoyez les contacts des piles et de l'appareil.
- Veillez à respecter les polarités des piles (+ et -).
- Retirez les piles s'il est prévu de ne pas utiliser l'appareil pendant une période prolongée.
- Retirez rapidement les piles usagées.

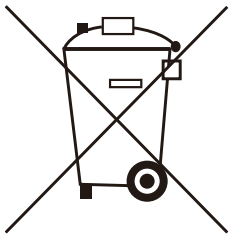
Remarque: Ne mélangez jamais piles neuves et piles usagées.

Ne mélangez jamais piles alcalines, standard (zinc-carbone), et rechargeables (nicad, nimh, etc.)

Ne jamais ingérer.

MISE AU REBUT DES PILES USAGÉES

Les piles peuvent contenir des substances nocives pouvant se révéler dangereuses pour l'environnement et la santé humaine.



Le symbole illustré à gauche figurant sur les piles et/ou sur leur emballage indique que les piles usagées ne doivent pas être mise au rebut avec les déchets ménagers. Il faut en revanche les déposer dans un centre de tri approprié en vue de leur recyclage.

En veillant à la mise au rebut correcte des piles usagées, vous aidez à lutter contre de potentielles conséquences négatives pour l'environnement et la santé humaine. Le recyclage aide à préserver les ressources naturelles.

Pour plus d'informations sur la collecte et le recyclage des piles usagées, veuillez contacter votre municipalité ou votre centre de tri local.

Remarque : veuillez manipuler votre télécommande de façon mesurée. Appuyez doucement et uniformément sur les boutons à utiliser. Une succession de pressions rapides peut entraîner un dysfonctionnement de la transmission vers le capteur.

ENTRETIEN ET MAINTENANCE

DISTANCE DE DÉGAGEMENT DES MATÉRIAUX COMBUSTIBLES

Veillez à ce que les cordons électriques, les rideaux, les meubles et tout autre élément combustible se trouvent à une distance d'au moins 91 cm (3 pieds) du devant et des côtés de votre cheminée.

NETTOYAGE DU CADRE

Nettoyez le cadre métallique de votre cheminée à l'aide d'un chiffon doux, légèrement imprégné d'un produit à base d'huile et d'agrumes, puis utilisez un chiffon propre et doux pour polir. N'utilisez jamais de produits de polissage pour cuivre ou de produits ménagers car ces derniers endommagent le cadre métallique. Les nettoyeurs à base d'huile et d'agrumes sont disponibles dans les supermarchés et les quincailleries.



AVERTISSEMENT: assurez-vous toujours que l'appareil est parfaitement éteint avant toute manipulation. Les réparations électriques ou le remplacement du câblage de cet appareil doivent être confiés à un électricien qualifié, conformément à la réglementation nationale et locale en vigueur.

En cas de réparation ou de remplacement des composants électriques ou du câblage, l'acheminement, les codes couleur et les points de fixation d'origine doivent être respectés.



AVERTISSEMENT: le branchement des prises d'alimentation doit être conforme aux codes de construction locaux ainsi qu'à toutes les réglementations applicables afin de minimiser les risques d'incendie, d'électrocution et de blessures corporelles.



AVERTISSEMENT: n'utilisez en aucun cas cette cheminée si l'un de ses composants s'est retrouvé sous l'eau. Contactez immédiatement un technicien de maintenance qualifié pour qu'il inspecte la cheminée et remplace toute pièce défectueuse du système électrique.



AVERTISSEMENT: débranchez toujours le cordon d'alimentation avant de procéder à la maintenance ou au nettoyage de votre cheminée afin de minimiser les risques d'incendie, d'électrocution et de blessures corporelles.



AVERTISSEMENT: l'alimentation de cet appareil doit impérativement être coupée durant toute opération d'entretien. Pour cela, éteignez d'abord la cheminée en plaçant l'interrupteur d'alimentation en position ARRÊT, puis débranchez le cordon d'alimentation de la prise secteur.

MAINTENANCE DE LA CHEMINÉE



AVERTISSEMENT:

Débranchez toujours l'alimentation avant de procéder à une quelconque tâche de maintenance ou de nettoyage afin de minimiser les risques d'incendie, d'électrocution ou de blessures.

REPLACEMENT DES AMPOULES LED

Les ampoules LED de cet appareil doivent être remplacées par le fabricant, son technicien de maintenance ou toute personne similairement qualifiée afin d'éviter tout risque.



AVERTISSEMENT:

Laissez les ampoules LED refroidir au moins 5 minutes avant de les toucher afin d'éviter tout risque de brûlure.

SPÉCIFICATIONS DES AMPOULES LED

Tension d'alimentation : CC 3V

Puissance d'alimentation : 1W

WM-BI-28-3421 : ampoule rouge : 3 pcs, ampoule bleue : 2 pcs, ampoule blanche : 4 pcs

WM-BI-43-5123 : ampoule rouge : 2 pcs, ampoule bleue : 3 pcs, ampoule blanche : 5 pcs

WM-BI-58-6421 : ampoule rouge : 5 pcs, ampoule bleue : 3 pcs, ampoule blanche : 6 pcs

WM-BI-76-8221 : ampoule rouge : 7 pcs, ampoule bleue : 3 pcs, ampoule blanche : 8 pcs

WM-BI-106-11524 : ampoule rouge : 9 pcs, ampoule bleue : 4 pcs, ampoule blanche : 11 pcs



ATTENTION:

Ne dépassez jamais 2 watts par ampoule LED.

MISE AU REBUT DE L'APPAREIL

Cet appareil ne doit pas être mis au rebut avec les déchets ménagers. Pour éviter de porter préjudice à l'environnement ou à la santé humaine par une élimination inadéquate, soyez responsable et recyclez cet appareil pour promouvoir la réutilisation des ressources matérielles. Contactez votre centre de tri local pour plus d'informations sur les mesures à prendre.

DÉPANNAGE



AVERTISSEMENT:

Débranchez toujours l'appareil et laissez-le refroidir avant de procéder à une quelconque tâche de maintenance. Seul un technicien qualifié doit être autorisé à entretenir et à réparer cet appareil électrique.

SYMPTÔME	CAUSES POSSIBLES	SOLUTION
Si cheminée ne fonctionne pas, mais "F" voyant d'alarme visuelle clignote.	Cheminée surchauffe température intérieure ou se produit un échauffement anormal.	a. Ce foyer sont notamment une alarme visuelle et un dispositif de sécurité Thermostat limiteur de prévenir / éviter que certaines parties de chauffage deviennent excessivement chaud. Un thermostat limiteur de couper l'alimentation de l'appareil. Le réinitialiser en mettant l'interrupteur principal sur ARRÊT (ou interrupteur mural optionnel ou thermostat mural, s'il est installé) ou débranchez l'appareil et attendre 10minutes puis rallumez ON/Branchez l'appareil. b. Si l'alarme s'allume et thermostat limiteur continue à se déclencher à plusieurs reprises de contacter un technicien de service qualifié.
Les flammes sont figées (ne bougent pas).	Le câblage peut être mal connecté ou le moteur des flammes peut être défectueux.	Contactez un technicien de maintenance qualifié. Vérifiez l'intégralité du câblage pour détecter un mauvais branchement. Si les branchements sont corrects, remplacez le moteur des flammes.
Les flammes sont tamisées ou peu visibles, ou les bûches et braises ne rougeoyant pas.	Une ou plusieurs ampoules LED connectées.	Vérifiez l'intégralité du câblage pour détecter un mauvais branchement et procédez à la réparation ou au remplacement le cas échéant. Vérifiez les ampoules et remplacez-les au besoin.
Les flammes grésillent.	Le moteur de flammes est défectueux.	Contactez un technicien de maintenance qualifié et remplacez le moteur des flammes.
La télécommande ne fonctionne pas.	Les piles sont déchargées. L'interrupteur de l'appareil et/ou l'interrupteur mural est en position 'ARRÊT'.	Remplacez les piles de la télécommande. Si le problème persiste, l'alimentation de la cheminée a pu être coupée suite à une panne électrique (par ex. le disjoncteur s'est déclenché). Eteignez l'interrupteur marche/arrêt principal (voir Figure 4) et/ou l'interrupteur mural (si applicable).
Le disjoncteur se déclenche ou le fusible saute lorsque l'appareil est allumé.	La tension d'alimentation n'est pas adéquate.	Contactez un technicien de maintenance qualifié. Vérifiez le circuit électrique de la maison et assurez-vous que la cheminée est reliée à un circuit dédié avec ampérage adéquat. Si le disjoncteur continue à se déclencher (ou si le fusible continue à sauter), vérifiez le câblage pour détecter un mauvais branchement ou un court-circuit. Réparez ou remplacez le câblage et/ou les connecteurs le cas échéant.
Les flammes sont tamisées ou éteintes.	Une ou plusieurs ampoules LED sont grillées.	Vérifiez les ampoules LED et remplacez-les au besoin.
Le lit de braises ne rougeoit pas ou très faiblement.	Une ou plusieurs ampoules LED sont grillées.	Vérifiez les ampoules LED et remplacez-les au besoin.
La cheminée n'émet aucune chaleur.	La température ambiante de la pièce est supérieure à la température réglée sur l'appareil (réglage Faible ou Moyen).	Réglez la cheminée sur une température plus élevée (réglage Moyen ou Élevé).
La cheminée s'éteint et ne se rallume pas.	a. La cheminée a surchauffé et le dispositif de sécurité a déclenché l'arrêt de l'appareil. OU b. Le disjoncteur principal s'est déclenché.	a. Débranchez la cheminée, laissez-la refroidir 15 minutes, puis rebranchez-la. b. Réenclenchez le disjoncteur de la maison.
La cheminée ne s'allume pas lorsque l'interrupteur est en position MARCHE.	a. La cheminée n'est pas branchée sur une prise secteur. OU b. La cheminée a surchauffé et le dispositif de sécurité a déclenché l'arrêt de l'appareil.	a. Vérifiez la fiche d'alimentation et branchez-la. b. Débranchez la cheminée, laissez-la refroidir 15 minutes, puis rebranchez-la.

REMARQUES

Amantii Imports Corp. (« Amantii ») garantit que votre nouvelle cheminée électrique Amantii est exempte de tout défaut matériel et de fabrication pour une période de un (1) an à compter de la première date d'achat, sous réserve des limitations et conditions stipulées ci-après.

Application et exclusions de la garantie

Cette garantie limitée s'applique à votre nouvelle cheminée électrique Amantii ; l'application de la garantie est limitée aux achats effectués dans n'importe quelle province du Canada ou dans l'un des 52 états des États-Unis d'Amérique, y compris le District de Columbia. Seul l'acheteur d'origine de l'appareil peut bénéficier de cette garantie limitée ; la garantie n'est pas transférable.

Produits exclus de cette garantie limitée

Les ampoules d'éclairage ne sont pas couvertes par cette garantie limitée et sont sous la seule responsabilité du propriétaire/de l'acheteur.

Portée et termes de la garantie

Les produits couverts par la présente garantie ont été testés et inspectés avant expédition et, dans le cadre des provisions de ladite garantie, Amantii garantit que ces produits sont exempts de tout défaut matériel et de fabrication pour une période de un (1) an à compter de la première date d'achat de ces produits.

La garantie limitée de un (1) an des produits s'applique également à toutes les garanties implicites pouvant exister dans le cadre des lois applicables. Étant donné que certaines juridictions n'acceptent pas les garanties limitées dans le temps, il se peut que la garantie ci-dessus ne s'applique pas à l'acheteur.

Toutes les autres garanties – expresses ou implicites – portant sur le produit, ses composants et ses accessoires, ou sur toute obligation/responsabilité de la part d'Amantii sont expressément exclues.

Limitations de la portée de la garantie limitée

La présente garantie limitée ne s'applique pas aux produits ayant fait l'objet d'une réparation, sauf si celle-ci a été réalisée par Amantii ou l'un de ses représentants autorisés, ou modifiés de quelque façon que ce soit. De plus, la garantie limitée ne s'applique pas aux défauts résultant d'une utilisation inappropriée, d'abus, d'accidents, de négligences, d'une installation incorrecte, d'une maintenance ou d'une manipulation inadéquate, ou d'un fonctionnement avec une alimentation incorrecte.

Les produits d'autres fabricants, vendus avec cet appareil ou acquis ultérieurement, ne sont pas couverts par cette garantie limitée. L'utilisation de composants non autorisés annule la garantie.

Intervention en cours de garantie limitée

Tout défaut doit être signalé au service technique d'Amantii en appelant le (1-888-406-8764), ou en écrivant à 1503-7088 18th Avenue, Burnaby, British Columbia, Canada, V3N 0A2. Veuillez avoir votre preuve d'achat, numéro de catalogue/modèle et numéro de sérié à portée de main si vous appelez le service technique ; toute intervention dans le cadre de la garantie requiert impérativement une preuve d'achat du produit.

Défauts

Dans l'éventualité où le produit ou l'un de ses composants couverts par la présente garantie limitée venait à s'avérer défectueux, en termes de matériel ou de fabrication, durant la période de garantie limitée de un (1) an, Amantii s'engage à remplacer le produit ou le composant défectueux à ses frais. Si Amantii n'était pas en mesure de procéder au remplacement du produit, ou si le remplacement s'avérait commercialement impossible ou dans un délai trop important, Amantii se réserve le droit, à sa seule discrétion, de procéder au remboursement du prix d'achat du produit ou du composant, plutôt qu'à son remplacement.

Limitations

En aucun cas Amantii, ainsi que, mais sans s'y limiter, ses directeurs, membres de direction, actionnaires, employés, consultants, agents, héritiers, exécuteurs, administrateurs et ayants-droits, ne pourront être tenus pour responsables envers l'acheteur ou toute tierce partie, par contrat, préjudice ou autre, d'un quelconque dommage, coût ou perte de nature indirecte, spéciale, punitive, exemplaire, consécutive ou fortuite résultant ou découlant de la vente, de la maintenance, de l'utilisation ou de l'incapacité à utiliser le produit, même dans l'éventualité où Amantii, ainsi que, mais sans s'y limiter, ses directeurs, membres de direction, actionnaires, employés, consultants, agents, héritiers, exécuteurs, administrateurs et ayants-droits, auraient été informés de la possibilité de tels dommages, coûts ou pertes, ou si de tels dommages, coûts ou pertes étaient prévisibles. En aucun cas Amantii, ainsi que, mais sans s'y limiter, ses directeurs, membres de direction, actionnaires, employés, consultants, agents, héritiers, exécuteurs, administrateurs et ayants-droits, ne pourront être tenus pour responsables d'un quelconque dommage, coût ou perte excédant le prix d'achat du produit. Étant donné que certaines juridictions n'acceptent pas l'exclusion ou la limitation des dommages consécutifs ou fortuits, il se peut que les limitations ou exclusions ci-dessus ne s'appliquent pas à l'acheteur.

Application de la loi des Provinces et des États

Cette garantie limitée vous confère des droits spécifiques, et vous pouvez également bénéficier d'autres droits variant d'une juridiction à l'autre. Les dispositions de la Convention des Nations-Unies sur les contrats de vente de marchandises ne s'appliquent ni à la présente garantie limitée ni à la vente des produits couverts par la présente garantie limitée.

Général

Amantii se réserve le droit de procéder à tout moment et sans préavis, à des modifications pouvant avoir trait à la conception, au matériel, aux spécifications, au prix ou à la faculté de discontinuer certains styles et produits.



Date d'achat:

Coordonnées du revendeur: