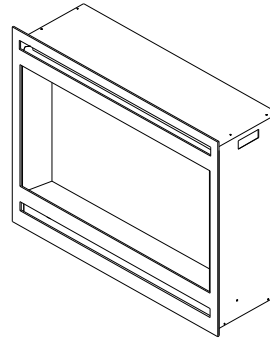
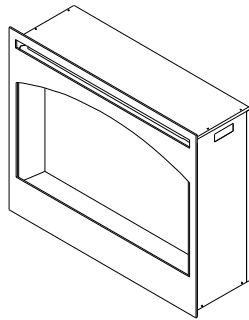




INSTALLATION AND OPERATION INSTRUCTIONS FOR ZERO CLEARANCE AND INSERT UNITS

ZECL-31-3228-STL



SAFETY INFORMATION



WARNING

If the information in these instructions are not followed exactly, a fire or explosion may result causing property damage, personal injury or loss of life.

Do not store or use gasoline or other flammable vapors and liquids in the vicinity of this or any other appliance.

INSTALLER: LEAVE THIS MANUAL WITH THE APPLIANCE.

CONSUMER: RETAIN THIS MANUAL FOR FUTURE REFERENCE.

TABLE OF CONTENTS

Please read and carefully follow all of the instruction found in this manual. Please pay special attention to the safety instructions provided in this manual. The instructions included here will as sure that you have many years of dependable and enjoyable service from your Amantii product.

IMPORTANT INSTRUCTIONS.....	3
HANDLING AND UNPACKING.....	4
LOCATING THE FIREPLACE	4
CLEARANCES WHEN BUILT-IN.....	5
ZECL-31-3228-STL	6
INSTALLATION OVERVIEW –ZERO-CLEARANCE (METAL) FIREPLACES	9
MEDIA OPTIONS	10
DECORATIVE MEDIA INSTALLATION	10
OPERATION.....	11
MANUAL OPERATION.....	11
REMOTE CONTROL OPERATION	12
REPLACEMENT PARTS	13
EXPLODED VIEW.....	14
TROUBLE SHOOTING	15
CORRECT DISPOSAL OF THIS PRODUCT	15
SERVICE HISTORY.....	16
WARRANTY	17

IMPORTANT INSTRUCTIONS

PLEASE READ THE FOLLOWING INSTRUCTIONS CAREFULLY BEFORE USING THE APPLIANCE.

When using electrical appliances, basic precautions should be followed to reduce the risk of fire, electric shock, and injury to persons, including the following:

1. If the appliance is damaged, check immediately with the supplier before installation and operation.
2. Do not use outdoors.
3. Do not cover or obstruct in any way the heat outlet grille located underneath the heater. Overheating will result if the heater is accidentally covered.
4. In the event of a fault unplug the heater.
5. Unplug the heater when not required for long periods.
6. Although this heater complies with safety standards, we do not recommend its use on deep pile carpets or on long hair type of rugs.
7. The appliance must be positioned so that the plug is accessible.
8. Do not place heavy objects or sit /stand on the heater
9. Never install the heater close to curtains or combustible materials
10. Never use the heater to dry clothes etc
11. Never use aerosols or steam cleaners on or around the heater
12. If the supply cord is damaged it must be replaced by the manufacturer or service agent or similarly qualified person in order to avoid a hazard.
13. **Warning:** The heater must not be used if the glass panels are damaged.
14. This appliance can be used by children aged from 8 years and above and persons with reduced physical, sensory or mental capabilities or lack of experience and knowledge if they have been given supervision or instruction concerning use of the appliance in a safe way and understand the hazards involved. Children shall not play with the appliance. Cleaning and user maintenance shall not be made by children without supervision.
15. Children of less than 3 years should be kept away unless continuously supervised. Children aged from 3 years and less than 8 years shall only switch on/off the appliance provided that it has been placed or installed in its intended normal operating position and they have been given supervision or instruction concerning use of the appliance in a safe way and understand the hazards involved. Children aged from 3 years and less than 8 years shall not plug in, regulate and clean the appliance or perform user maintenance.
16. **CAUTION** - Some parts of this product can become very hot and cause burns. Particular attention has to be given where children and vulnerable people are present.
17. If the supply cord is damaged, it must be replaced by the manufacturer, its service agent or similarly qualified persons in order to avoid a hazard.
18. The heater must not be located immediately below a socket-outlet.
19. Do not use this heater in the immediate surroundings of a bath, a shower or a swimming pool.



20. **WARNING:** In order to avoid overheating, do not cover the heater.

21. Do not use this heater with a programmer, timer, separate remote-control system or any other device that switches the heater on automatically, since a fire risk exists if the heater is covered or positioned incorrectly.
22. **CAUTION:** In order to avoid a hazard due to inadvertent resetting of the thermal cutout, this appliance must not be supplied through an external switching device, such as a timer, or connected to a circuit that is regularly switched on and off by the utility.
23. Regarding the information for installation, please refer to the relevant paragraph.

Note: When the heater is turned on for the first time, it may release a slight, harmless odour or smoke. This odour or smoke is a normal occurrence caused by the initial heating of the internal heating elements and should not occur again.

HANDLING AND UNPACKING

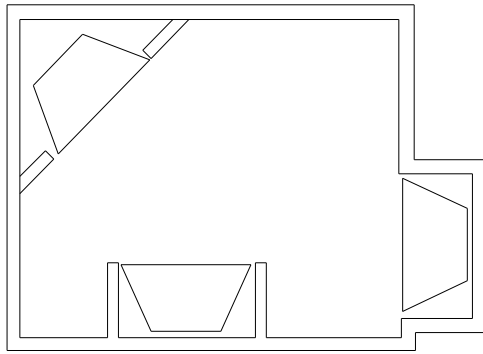
Before continuing any further with the installation of this heater please read the following:

- One person should be sufficient to lift the heater. If for any reason it is considered too heavy then obtain assistance.
- When lifting always keep your back straight. Bend your legs and not your back.
- Avoid twisting at the waist. It is better to reposition your feet.
- Avoid upper body / top heavy bending. Always bend from the knees rather than the waist. Do not lean forward or sideways whilst handling the heater.
- Always grip with the palm of the hand. Do not use the tips of fingers for support.
- Always keep the heater as close to the body as possible. This will minimize the cantilever action.
- Use gloves to provide additional grip.
- Always use assistance if required.
- Unpack the package and lift the product gently out of the box, put it on flat floor with the hand grips to the top of the unit.

LOCATING THE FIREPLACE

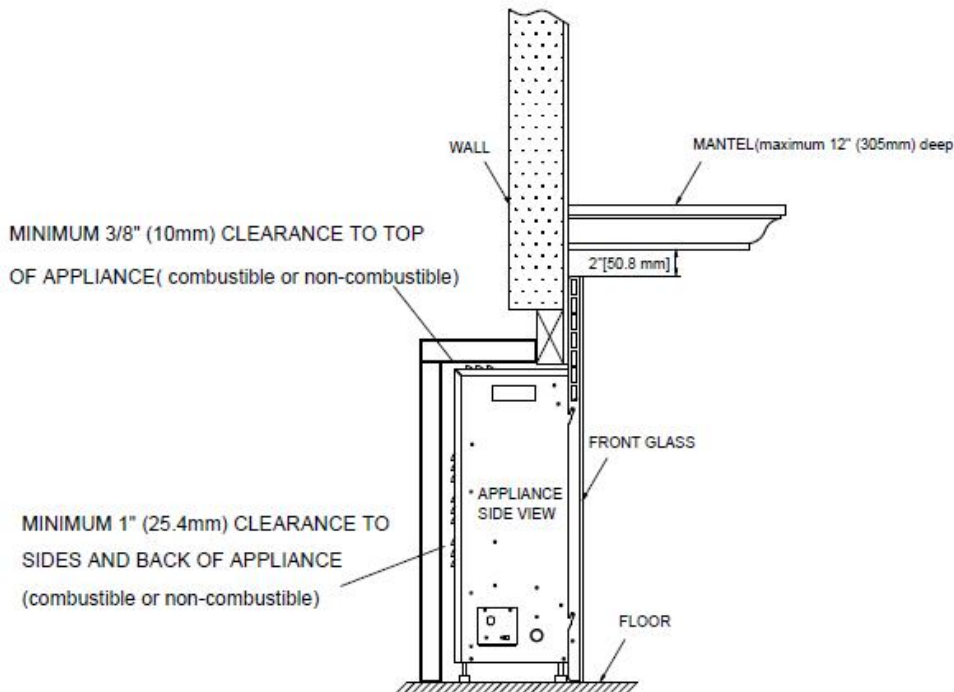
Plan where to locate and frame the fireplace. This will save time and money later when you install the fireplace. Before installation consider the following:

1. Where the fireplace is located must allow for wall and ceiling clearances
2. Consider a location where the fireplace screen will not be exposed to direct sunlight from windows or doors.
3. A 10 ampere, 240 Volt, 50 Hz branch circuit with proper ground must be available at the location. Preferably a dedicated branch circuit should be provided to avoid circuit breakers to trip or fuses to blow.



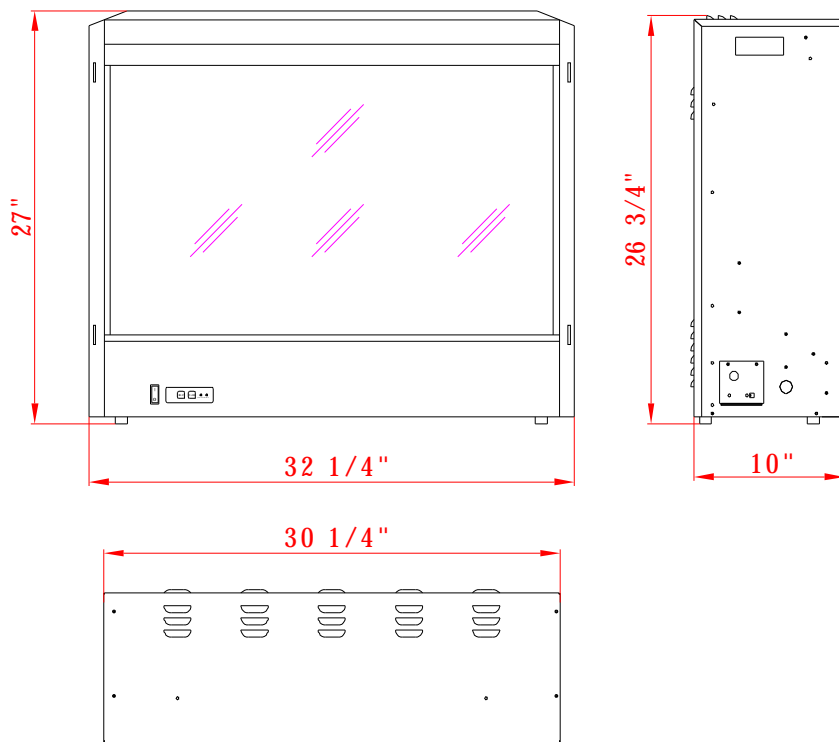
CLEARANCES WHEN BUILT-IN

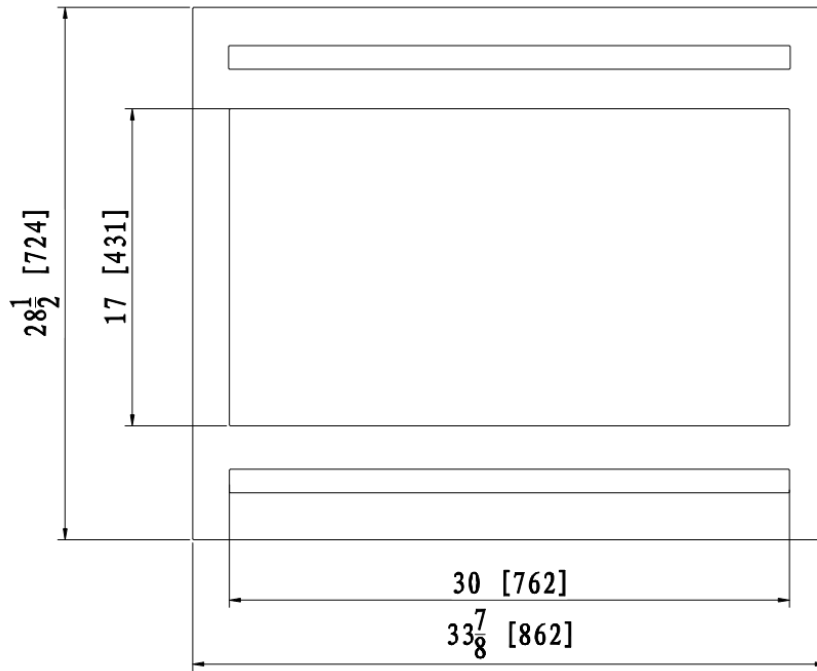
The fireplace may be placed within a framed enclosure that is level, dry and capable of supporting the weight of the appliance and front glass. It may be placed directly on wood or a non-combustible surface(not on linoleum or carpet). The minimum clearance from the top of the appliance to a mantel (combustible or non-combustible) is 2" (50.8 mm). The sides and back must maintain 1"(25.4mm) clearance to any material. The top must maintain a 3/8" (10mm) clearance to any material.



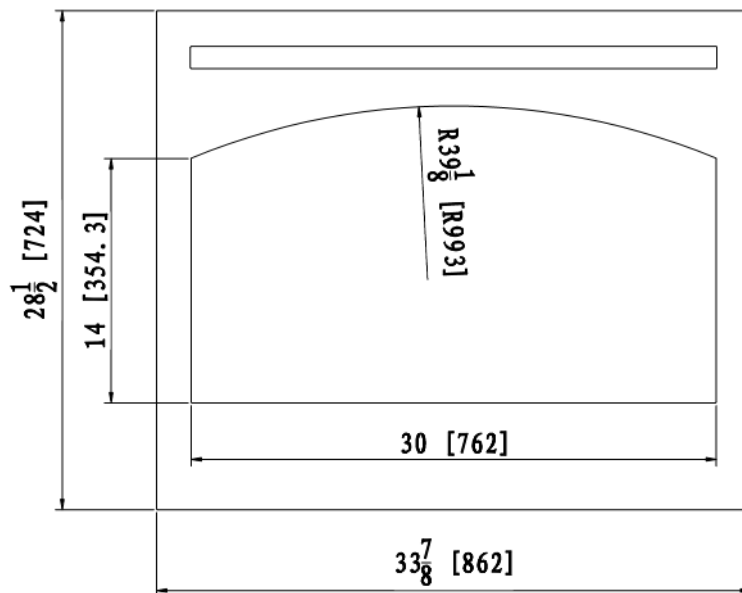
ZECL-31-3228-STL

Description	Built-in Appliance
Voltage	240V AC 60Hz
Watts	1900W Max
NO HEATER	25W
MOTOR HEATER	19W
Appliance Width	32 1/4" or 82.2 cm
Appliance Height	27 " or 68.6 cm
Appliance Depth	10" or 25.4 cm
Gross Weight	55 lbs or 25 kg
Plug Location	Left side
Cord Length	70 7/8" or 180 cm
Rough Wall Opening Size	31"× 27" or 78.7 cm× 68.6 cm



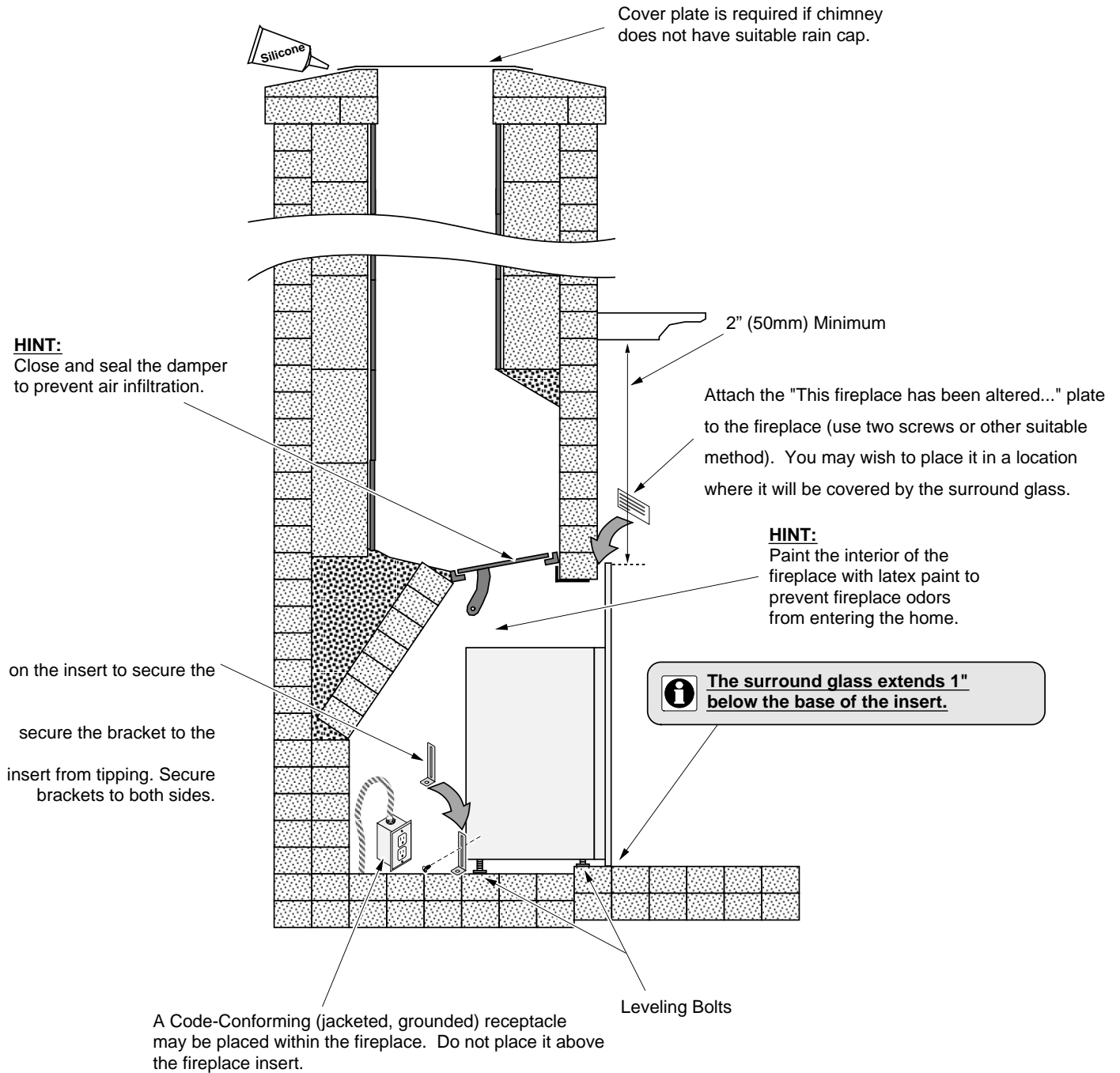


Square Surround
ZECL-31-3228-STL-SQR



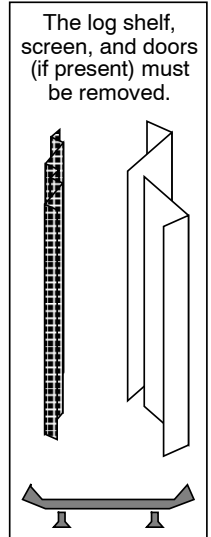
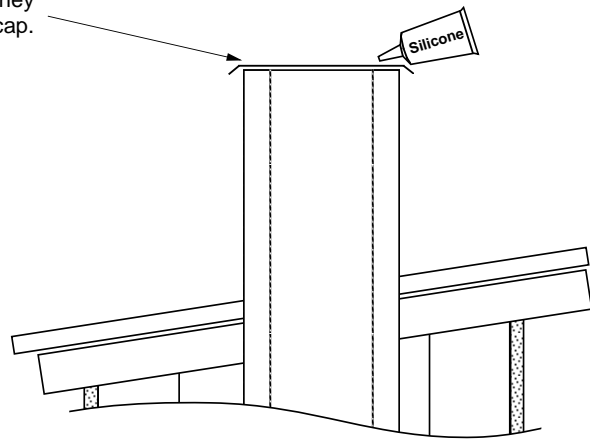
Arch Surround
ZECL-31-3228-STL-ARCH

INSTALLATION OVERVIEW – MASONRY FIREPLACES



INSTALLATION OVERVIEW –ZERO-CLEARANCE (METAL) FIREPLACES

Cover plate is required if chimney does not have suitable rain cap.



HINT:
Close and seal the damper to prevent air infiltration.

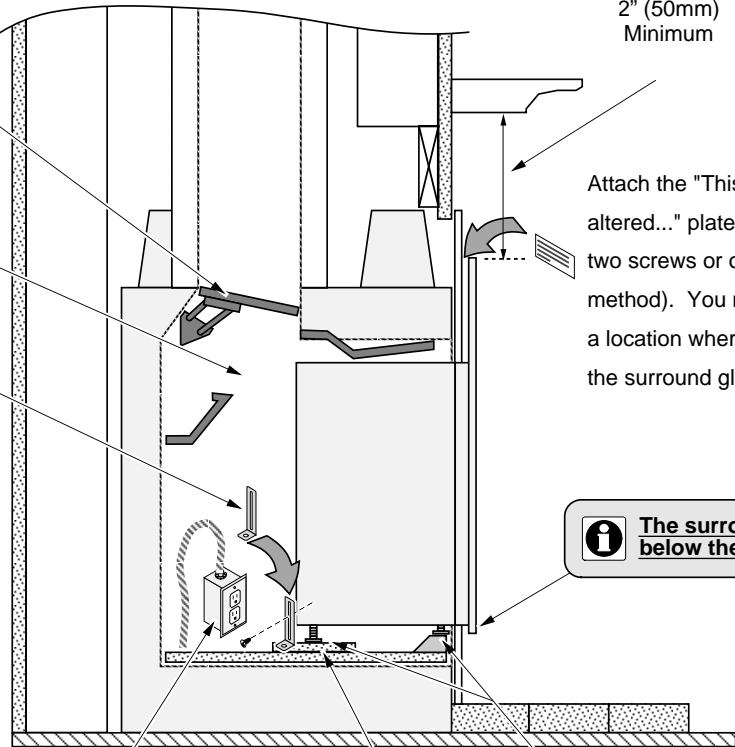
HINT:
Paint the interior of the fireplace with latex paint to prevent fireplace odors from entering the home.

2" (50mm) Minimum

Attach the "This fireplace has been altered..." plate to the fireplace (use two screws or other suitable method). You may wish to place it in a location where it will be covered by the surround glass.

Use one of the rear screws on the insert to secure the included tie-down bracket to the fireplace. Once in place, secure the bracket to the fireplace floor to prevent the insert from tipping. Secure brackets to both sides.

i The surround glass extends 1" below the base of the insert.



Leveling Bolts

A Code-Conforming (jacketed, grounded) receptacle may be placed within the fireplace. Do not place it above the fireplace insert.

If the firebox steps down greater than 1", place shims (plywood, tile, etc.) under the leveling bolts to provide adequate leveling.

MEDIA OPTIONS

The fireplace shipped with an ember log set that is pre-installed. Consumers have their choice of decorative media should they wish to install it.



Log set



HZ-12-EMBER



Fi-109-Diamond

DECORATIVE MEDIA INSTALLATION

Removing the log

Unplug the unit from wall and make sure controls are switched off.

Unscrew two screws both hand side to take off the front glass. The log is shipped in place. The log has tabs on each side that hold it secure. There are two screws to fix the side panel. Unscrew the screws to remove the side panels. Remove both side panels to remove the log set .

Screw back the side panels after remove the log set.



Installing the decorative media

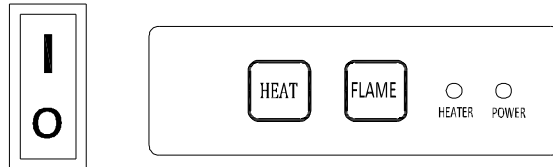
Pour the decorative media into the tray. Feel free to use any combination of fire glass media that you find most appealing. Put back the front glass after you finish install the fire glass.



OPERATION

The fireplace can be operated either by the switches located on the left front of the fireplace unit or by supplied remote control.

MANUAL OPERATION



1. The main power ON/OFF switch in position O, the fireplace is OFF.
2. When main power ON/OFF switch is at position I, the fireplace is ready to use.
3. Press the **Heat** button repeatedly to set the heater to desired heat setting. The heater indicator LED will glow which shows the current heater settings.
 - a) RED 1900W HEAT OUTPUT
 - b) BLUE 950W HEAT OUTPUT
 - c) PURPLE AUTO MODE

AUTO MODE

Under this mode the heater will automatically turn ON at high heat setting 1900W heat output when the room temperature drops below 22°C. When the room temperature is between 22-25°C the heater output will switch to low heat setting 950W. When the room temperature goes above 25°C the heater will be turned off and the cycle will continue. The LED indicator will be PURPLE in colour under this mode.

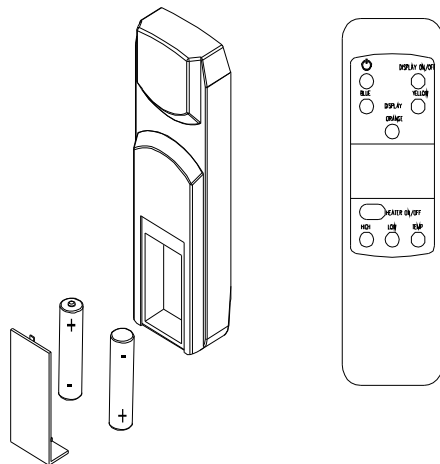
4. Flame effect: Press the button marked **Flame** to adjust the flame brightness. The flame brightness will cycle through –Low-Medium-High -OFF.

NOTE: If operated at the Low heat setting, the fireplace will not provide as much heat output as in the High heat setting, however the low setting will not require as much electrical power to operate. To avoid overloading a circuit, do not plug the fireplace into a circuit that already has other appliances working. When the fireplace is not in use switch off and unplug.

SAFETY CUT-OFF


- ⌋ This appliance is fitted with a safety cut-off which will operate if the fireplace overheats (eg. Due to blocked air vents). For safety reasons, the fireplace will NOT automatically reset.
- ⌋ To reset the appliance, disconnect the appliance from the mains supply for at least 10 minutes. Reconnect the supply to the mains and switch on the appliance.

REMOTE CONTROL OPERATION



For remote to function make sure the heater is plugged in and mains power switch located on the bottom left hand side is at position I.

When operating the remote make sure you point the remote to the centre of the fireplace and make sure each time you press the button. The buzzer inside the unit will beep once. It takes some time for the receiver to respond to the transmitter. Do not PRESS the buttons more than once within two seconds for correct operation.

Power on  button: The power-on button at top left corner of the remote is the mains ON/OFF power button. This will turn off all the functions and the fireplace will be in standby mode.

DISPLAY ON/OFF button: Switching the fireplace flame and tray light ON/OFF. It has functions of setting memory.

DISPLAY BLUE button: Adjust the blue color brightness of flame.

DISPLAY YELLOW button: Adjust the yellow color brightness of flame.

DISPLAY ORANGE button: Adjust the orange color brightness of flame.

HEATER ON/OFF button: Switching the heater ON/OFF. It has functions of setting memory.

HIGHT button: Press the high button to switch the heater to high heat setting 1900W.

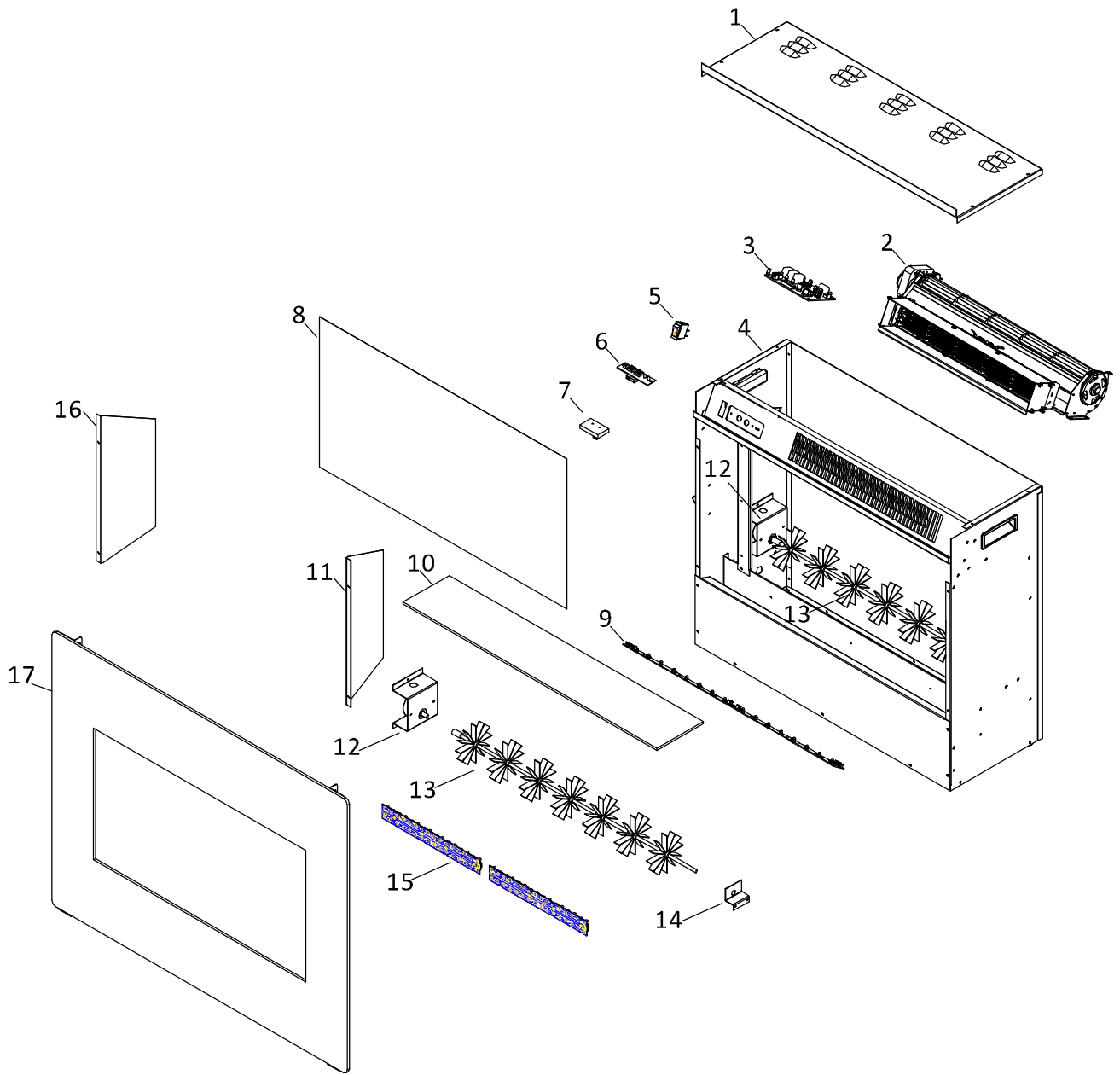
LOW button: Press the low button to switch the heater to low heat setting 950W.

TEMP. button: Press the TEMP. button to switch the heater to AUTO mode. Under this mode the heater will operate in similar way as explained above for the manual operation.

REPLACEMENT PARTS

NO	PART NUMBER	DESCRIPTION	QTY.
1		TOP PANEL	1
2	602030D	BLOWER AND HEATER ASSEMBLY	1
3	601097B	CIRCUIT BOARD	1
4		FIREPLACE BOX	1
5	10104010	SWITCH	1
6	601032B	CONTROL PANEL	1
7	10104010	REMOTE RECEIVER	1
8	359006B	BACK GLASS	1
9	601136B+601137B	FLAME LED STRIP	1
10	10702138B	BOTTOM GLASS	1
11	3059019	RIGHT BRACKET	1
12	10101225B	FLICKER MOTOR	1
13	3059502	FLICKER ASSEMBLY	1
14	3085020	FLICKER ASSEMBLY SUPPORT BRACKET	1
15	601136B+601137B	TRAY LED STRIP	1
16	3059005	LEFT BRACKET	1
17	10701138B	FRONT GLASS	1
18	10105064	REMOTE	1

EXPLODED VIEW



TROUBLE SHOOTING

PROBLEM	POSSIBLE CAUSE	SOLUTION
Dim or no flame	Flame LED's are burnt out	Inspect the LED's and replace them if necessary.
	Back black cloth is falling off and roll the flicker	Change a new flicker and back black cloth.
Ember bed is not glowing or dimming	Ember LED's are burnt out	Inspect the ember bed LED's and replace them if necessary.
Appliance turns off and will not turn on	Appliance has overheated and safety device has caused the thermal switch to disconnect	Turn off the main switch, allow appliance to cool for 10 minutes, then turn it on.
	House circuit breaker has tripped	Reset house circuit breaker.
	Appliance's fuse has blown	Replace the fuse.
Appliance will not come on when switch is flipped to ON	Appliance is not plugged into an electrical outlet	Check plug and plug in.
	Appliance has overheated and safety device has caused the thermal switch to disconnect	Turn off the main switch, allow appliance to cool for 10 minutes, then turn it on.
	Circuit board is burnt out	Inspect the circuit board and replace it if necessary.
No warm air coming out of appliance	Heater is burnt out	Inspect the burner and heater assembly and replace it if necessary.
Flame sputters	Flame motor is defective.	Call a qualified service technician and replace flame motor.
Remote Control does not work.	Low batteries. Unit switch in "O" position.	Replace AAA batteries in remote control. Turn the switch in "I" position.
Flame is fixed.	Wiring may be loose or the flame motor may be defective.	

CORRECT DISPOSAL OF THIS PRODUCT



This marking indicates that this product should not be disposed with other household waste throughout the EU. To prevent possible harm to the environment or human health from uncontrolled waste disposal, recycle it responsibly to promote the sustainable reuse of material resources. To return your used device, please use the return and collection systems available.

SERVICE HISTORY

This heater must be serviced annually depending on usage.

Date	Dealer Name	Service technician Name	Service Performed	Special Concerns

NOTES:

WARRANTY FOR PRODUCTS MANUFACTURED AFTER JANUARY 1st, 2016

Amantii Imports Corp. ("Amantii") warrants that your newly purchased Amantii electric fireplace is free from manufacturing and material defects for a period of two (2) years from the date of the first purchase, subject to the conditions and limitations contained below.

Warranty Application & Exclusions

This limited warranty applies to your newly purchased Amantii electric fireplace; the limited warranty's application is limited to purchases made in any province of Canada or in any of the 52 States of the United States of America, including the District of Columbia. Only the original purchaser of the product is eligible for coverage under this limited warranty; the warranty is not transferable.

Products excluded from this limited warranty

Light bulbs are not covered by this limited warranty and are the sole responsibility of the owner/purchaser.

Warranty Coverage and Term

Products covered by this limited warranty have been tested and inspected prior to shipment and, subject to the provisions of this warranty, Amantii warrants such products to be free from defects in material and workmanship for a period of two (2) years from the date of the first purchase of such products.

The limited two (2) year warranty period for products also applies to any implied warranties that may exist under applicable law. Some jurisdictions do not allow limitations on how long an implied warranty lasts, so the above limitation may not apply to the purchaser.

All other warranties—expressed or implied—with respect to the product, its components and accessories or any obligation/liabilities on the part of Amantii are hereby expressly excluded.

Limitations to Coverage Under Limited Warranty

This limited warranty does not apply to products that have been repaired, except by Amantii or its authorized service representatives, or otherwise altered. This limited warranty further does not apply to defects resulting from misuse, abuse, accident, neglect, incorrect installation, improper maintenance or handling, or operation with an incorrect power source. Products made by other manufacturers, sold with the product or thereafter, are not covered by this limited warranty. The use of unauthorized components will render this warranty null and void.

Panorama Outdoor Units

All Panorama units that are installed outdoors or in moisture intense conditions must use the stainless steel cover. Proof of purchase of the cover is required for any warranty claims.

Service Under Limited Warranty

Defects must be brought to the attention of Amantii Technical Service by contacting Amantii at (1-888-406-8764), or at 502-1027 Davie Street, Vancouver, BC V6E 4L2. Please have your proof of purchase, catalogue/model and serial numbers available when calling; any and all service under the limited warranty requires a proof of purchase of the product.

Defects

Should a product or part covered by this limited warranty be proven to be defective, in material or workmanship, and during the two (2) year limited warranty period, Amantii will replace such defective product or part without charge. If Amantii is unable to replace such product, or if replacement is not commercially practicable or cannot be timely done, in its sole discretion Amantii may, in lieu of replacement, choose to refund the purchase price for such product or part.

Limitations

In no event will Amantii, including without limitation any of its directors, officers, shareholders, employees, consultants, agents, heirs, executors, administrators and assigns, be liable to the purchaser or any third party, whether in contract, in tort, or on any other basis for any indirect, special, punitive, exemplary, consequential, or incidental loss, cost or damage arising out of or in connection with the sale, maintenance, use or inability to use the product, even if Amantii, including without limitation any of its directors, officers, shareholders, employees, consultants, agents, heirs, executors, administrators and assigns, have been advised of the possibility of such losses, costs or damages, or if such losses, costs or damages are foreseeable. In no event will Amantii, including without limitation any of its directors, officers, shareholders, employees, consultants, agents, heirs, executors, administrators and assigns, be liable for any direct losses, costs or damages that exceed the purchase price of the product.

Some jurisdictions do not allow the exclusion or limitation of incidental or consequential damages, so the above limitation or exclusion may not apply to the purchaser.

Application of Provincial and State Law

This limited warranty gives you specific legal rights, and you may also have other rights which vary from jurisdiction to jurisdiction. The provisions of the United Nations Convention on Contracts for the Sale of Goods shall not apply to this limited warranty or the sale of products covered by this limited warranty.

General

Amantii reserves the right to make changes at any time without notice, in design, material, specifications, prices and the right to discontinue styles and products.

Effective January 1, 2016