



INSTALLATION AND OPERATION INSTRUCTIONS FOR BI-DEEP UNITS

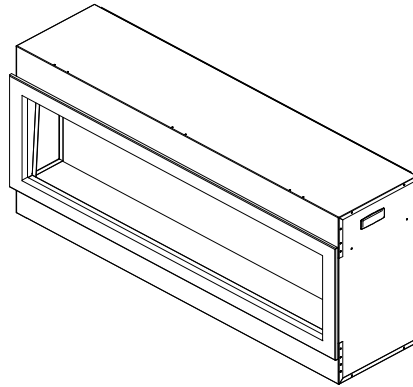
BI-40-DEEP

BI-50-DEEP

BI-60-DEEP

BI-72-DEEP

BI-88-DEEP



SAFETY INFORMATION



WARNING

If the information in these instructions are not followed exactly, a fire or explosion may result causing property damage, personal injury or loss of life.

Do not store or use gasoline or other flammable vapors and liquids in the vicinity of this or any other appliance.

INSTALLER: LEAVE THIS MANUAL WITH THE APPLIANCE.

CONSUMER: RETAIN THIS MANUAL FOR FUTURE REFERENCE.

TABLE OF CONTENTS

Please read and carefully follow all of the instruction found in this manual. Please pay special attention to the safety instructions provided in this manual. The instructions included here will assure that you have many years of dependable and enjoyable service from your Amantii product.

IMPORTANT INSTRUCTIONS.....	3
UNPACKING AND TESTING APPLIANCE	4
GROUNDING APPLIANCE	4
LOCATING THE FIREPLACE	4
BI-40-DEEP	5
BI-50-DEEP	6
BI-60-DEEP	7
BI-72-DEEP	8
BI-88-DEEP	9
INSTALLATION.....	10
SAFETY DRILL SCREW AREA	15
FOR BATHROOM USE	15
HARD-WIRE INSTALLATION	16
PANORAMA COVER INSTALLATION	17
MEDIA OPTIONS	18
OPERATION.....	19
INSTALLING WALL THERMOSTAT	21
REPLACEMENT PARTS	22
EXPLODED VIEW.....	23
TROUBLE SHOOTING	24
SERVICE HISTORY	25
WARRANTY	26

IMPORTANT INSTRUCTIONS

1. Read all instructions before installing or using this heater.
2. Keep combustible materials, such as furniture, pillows, bedding, papers, clothes and curtains at least 3 feet from the front of the heater; keep them away from sides and rear as well.
3. Always unplug heater when it's not in use.
4. Do not operate the fireplace if it has a damaged cord or plug, after it has malfunctioned, or if the unit has been dropped or damaged in any way.
5. Never place the heater where it may fall into a bathtub or other water containers.
6. Do not run the cord under carpeting. Do not cover the cord with throw rugs, runners or anything else. Arrange the cord away from traffic areas where it could not be tripped over.
7. To disconnect the heater, turn the controls to "OFF" before removing the plug from the outlet.
8. Do not insert or allow foreign objects to enter any ventilation or exhaust opening, as this may cause an electric shock, fire or damage to the heater.
9. To prevent a possible fire, do not block air intakes in any manner.
10. A heater has hot and arcing or sparking parts inside. Do not use it in areas where gasoline, paint or flammable liquids are used or stored.
11. Use this heater only as described in this manual. Any other use not recommended by the manufacturer may cause fire, electric shock or injury to persons.
12. Avoid the use of an extension cord because the extension cord may overheat and cause a fire.
13. Always use properly grounded fused and polarized outlets.
14. Always use ground fault protection where it is required by electrical codes.
15. Always disconnect the power before performing any cleaning, maintenance or relocation of the heater.
16. To prevent a possible fire, do not burn wood or other materials in this heater.
17. To prevent electric shock or fire, always use a certified electrician, should new circuits or outlets be required.
18. When transporting or storing the heater, keep it in a dry place, free from excessive vibration.

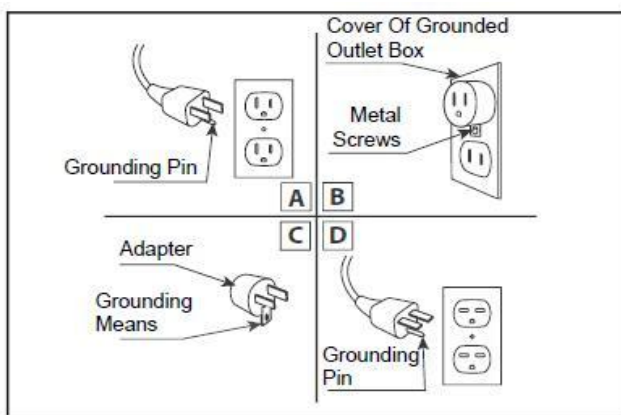
UNPACKING AND TESTING APPLIANCE

Carefully remove the appliance from the box. Prior to installing the appliance, test to make sure the appliance operates properly by plugging the power supply cord into a conveniently located 120 Volt grounded outlet.

GROUNDING APPLIANCE

This appliance is for use on 120 Volts. The cord has a plug as shown in (A). An adapter as shown in (C) is available for connecting three-blade grounding type plugs to two-slot receptacles. The green grounding lug extending from the adapter must be connected to a permanent ground such as a properly grounded outlet box. The adapter should not be used if a three-slot grounded receptacle is available.

To disconnect appliance, turn controls to off, then remove plug from outlet.



LOCATING THE FIREPLACE

Plan where to locate and frame the fireplace. This will save time and money later when you install the fireplace. Before installation consider the following:

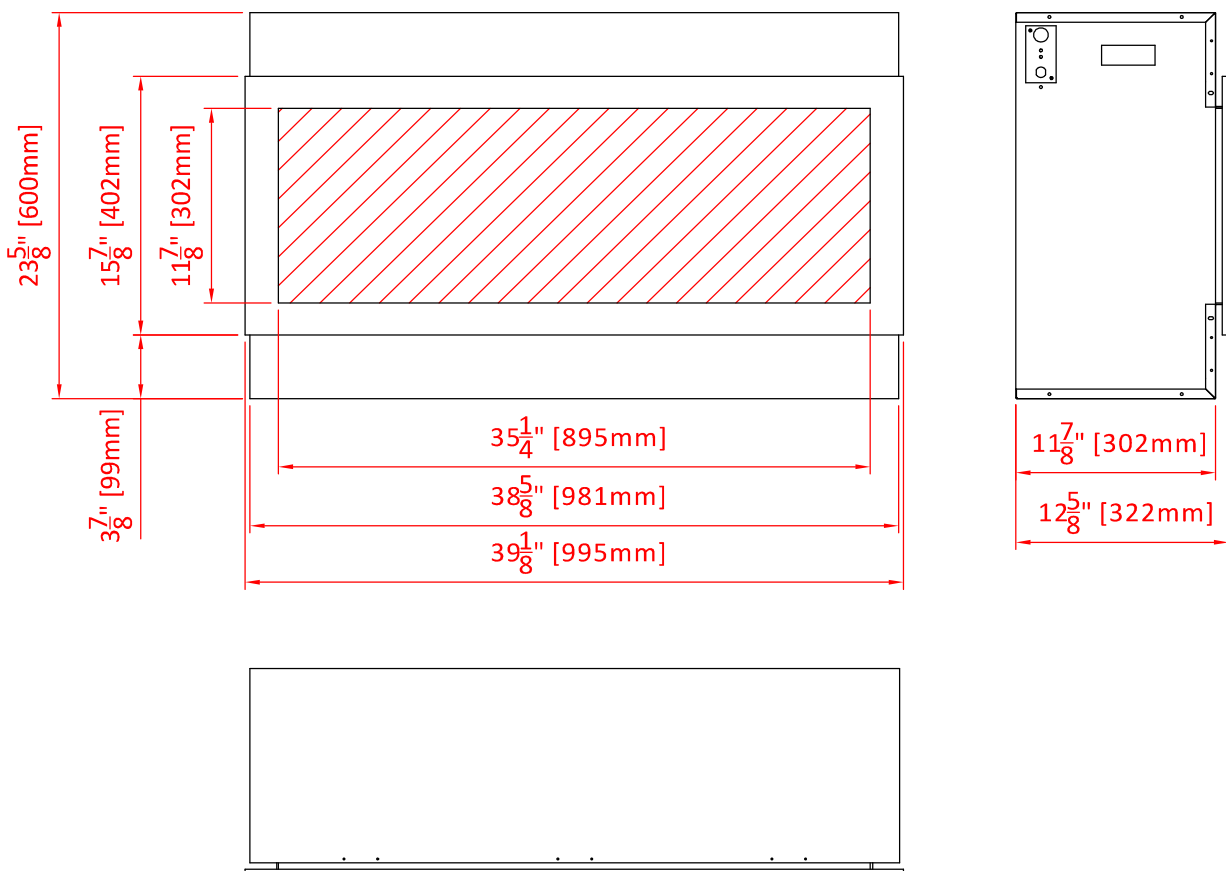
1. Where the fireplace is located must allow for wall and ceiling clearances (see INSTALLATION)
2. Consider a location where the fireplace screen will not be exposed to direct sunlight from windows or doors.
3. A 15 ampere, 120 Volt, 60 Hz branch circuit with proper ground must be available at the location. Preferably a dedicated branch circuit should be provided to avoid circuit breakers to trip or fuses to blow.

BI-40-DEEP

Description	Built-in Appliance
Voltage	120V AC 60Hz
Watts	1500W Max
NO HEATER	25W
MOTOR HEATER	19W
Appliance Width	38 5/8" or 98.1 cm
Appliance Height	23 5/8" or 60 cm
Appliance Depth	12 1/4" or 31.2 cm
Gross Weight	94.6lbs or 43kg
Plug Location	Left side
Cord Length	70 7/8" or 180 cm
Rough Wall Opening Size	40" × 25" or 101.6 cm × 63.5 cm
BTU	4800

This appliance has been tested in accordance with the UL Standard 2021 for fixed and location dedicated electric room appliances in the United States and Canada. If you need assistance during installation, please contact your local dealer.

NOTE: This appliance must be electrically wired and grounded in accordance with local codes. In the absence of local codes, use the current CSA C22.1 Canadian Electrical Code in Canada or the ANSI/NFPA 70 National Electrical Code in the United States.

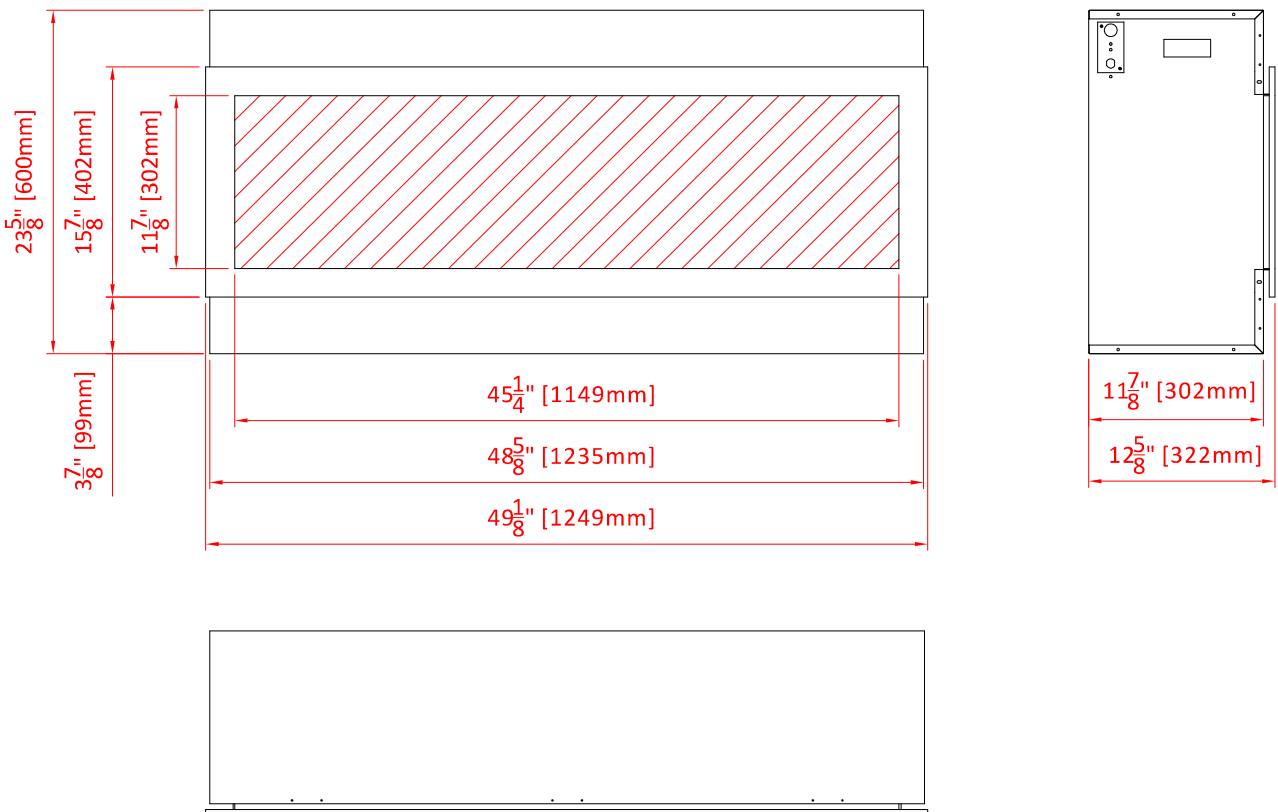


BI-50-DEEP

Model Number	BI-50-DEEP
Voltage	120V AC 60Hz
Watts	1500W Max
NO HEATER	25W
MOTOR HEATER	19W
Appliance Width	48 5/8" or 123.5 cm
Appliance Height	23 5/8" or 60 cm
Appliance Depth	12 1/4" or 31.2 cm
Gross Weight	110lbs or 50kg
Plug Location	Left side
Cord Length	70 7/8" or 180 cm
Rough Wall Opening Size	50" × 25" or 127 cm × 63.5 cm
BTU	4800

This appliance has been tested in accordance with the UL Standard 2021 for fixed and location dedicated electric room appliances in the United States and Canada. If you need assistance during installation, please contact your local dealer.

NOTE: This appliance must be electrically wired and grounded in accordance with local codes. In the absence of local codes, use the current CSA C22.1 Canadian Electrical Code in Canada or the ANSI/NFPA 70 National Electrical Code in the United States.

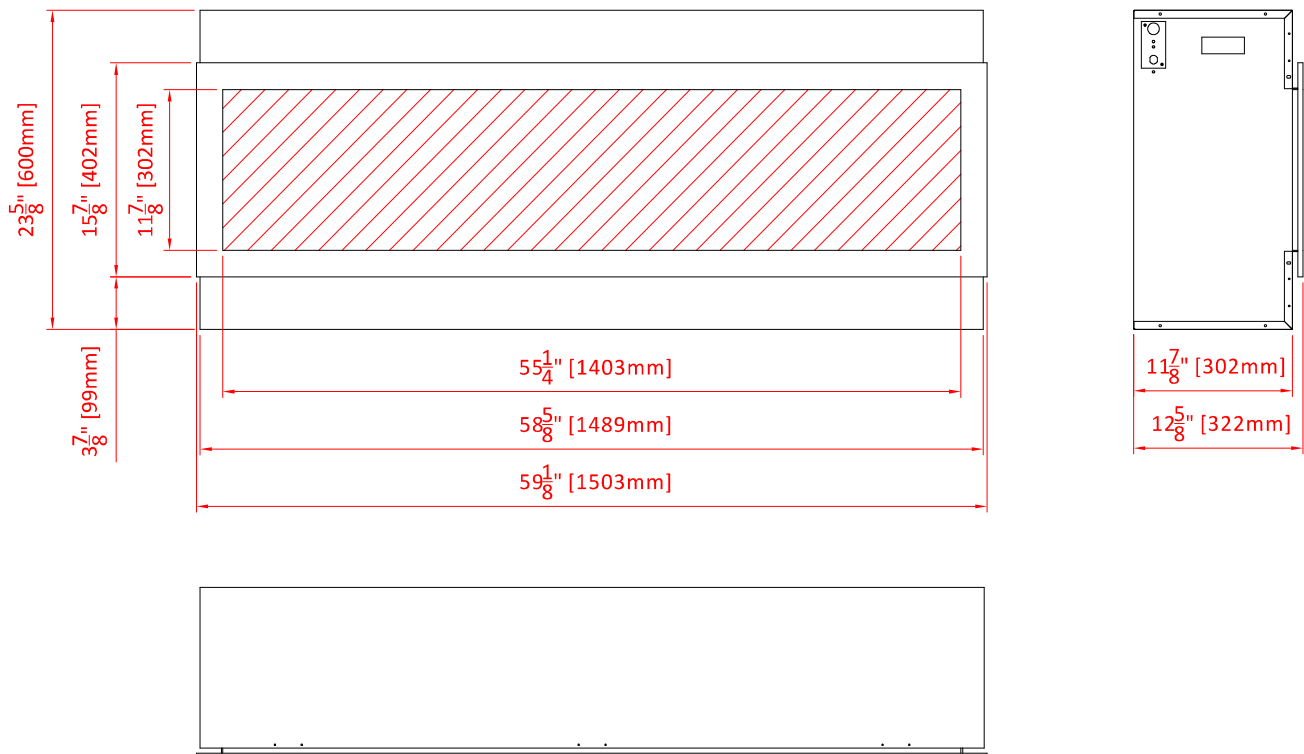


BI-60-DEEP

Description	Built-in Appliance
Voltage	120V AC 60Hz
Watts	1500W Max
NO HEATER	25W
MOTOR HEATER	19W
Appliance Width	58 5/8" or 148.5 cm
Appliance Height	23 5/8" or 60 cm
Appliance Depth	12 1/4" or 31.2 cm
Gross Weight	127.6lbs or 58kg
Plug Location	Left side
Cord Length	70 7/8" or 180 cm
Rough Wall Opening Size	60" × 25" or 152.4 cm × 63.5 cm
BTU	4800

This appliance has been tested in accordance with the UL Standard 2021 for fixed and location dedicated electric room appliances in the United States and Canada. If you need assistance during installation, please contact your local dealer.

NOTE: This appliance must be electrically wired and grounded in accordance with local codes. In the absence of local codes, use the current CSA C22.1 Canadian Electrical Code in Canada or the ANSI/NFPA 70 National Electrical Code in the United States.

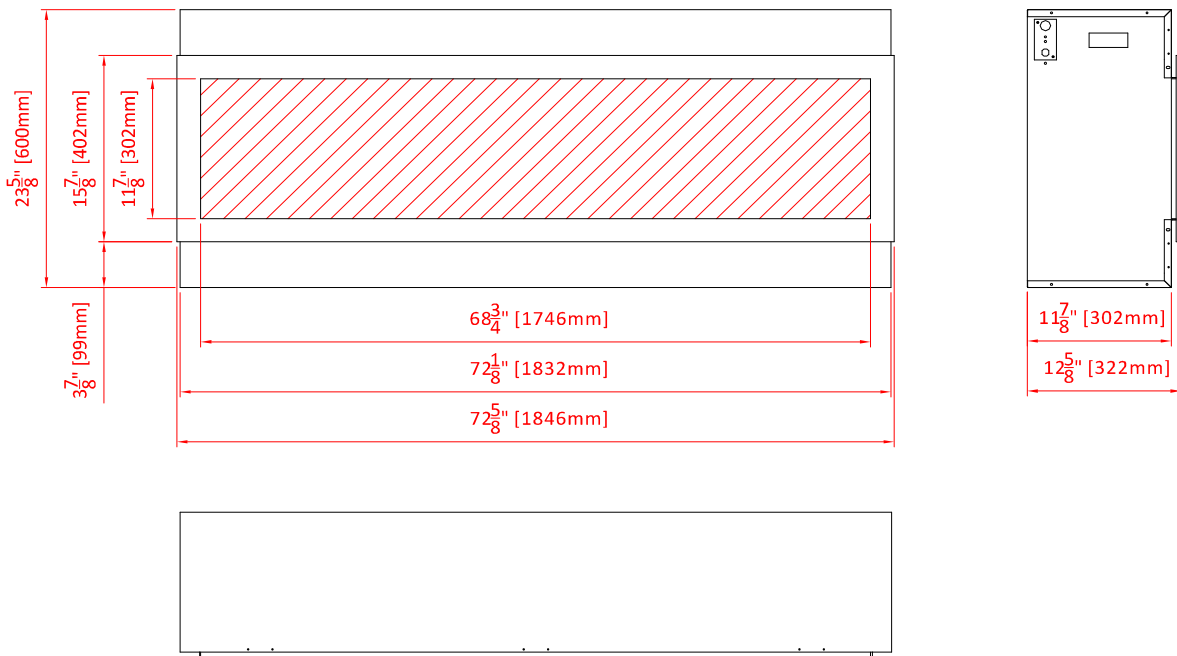


BI-72-DEEP

Description	Built-in Appliance
Voltage	120V AC 60Hz
Watts	1500W Max
NO HEATER	25W
MOTOR HEATER	19W
Appliance Width	72 1/8" or 183.2 cm
Appliance Height	23 5/8" or 60 cm
Appliance Depth	12 1/4" or 31.2 cm
Gross Weight	156.2lbs or 71kg
Plug Location	Left side
Cord Length	70 7/8" or 180 cm
Rough Wall Opening Size	73 1/2" × 25" or 186.7 cm × 63.5 cm
BTU	4800

This appliance has been tested in accordance with the UL Standard 2021 for fixed and location dedicated electric room appliances in the United States and Canada. If you need assistance during installation, please contact your local dealer.

NOTE: This appliance must be electrically wired and grounded in accordance with local codes. In the absence of local codes, use the current CSA C22.1 Canadian Electrical Code in Canada or the ANSI/NFPA 70 National Electrical Code in the United States.

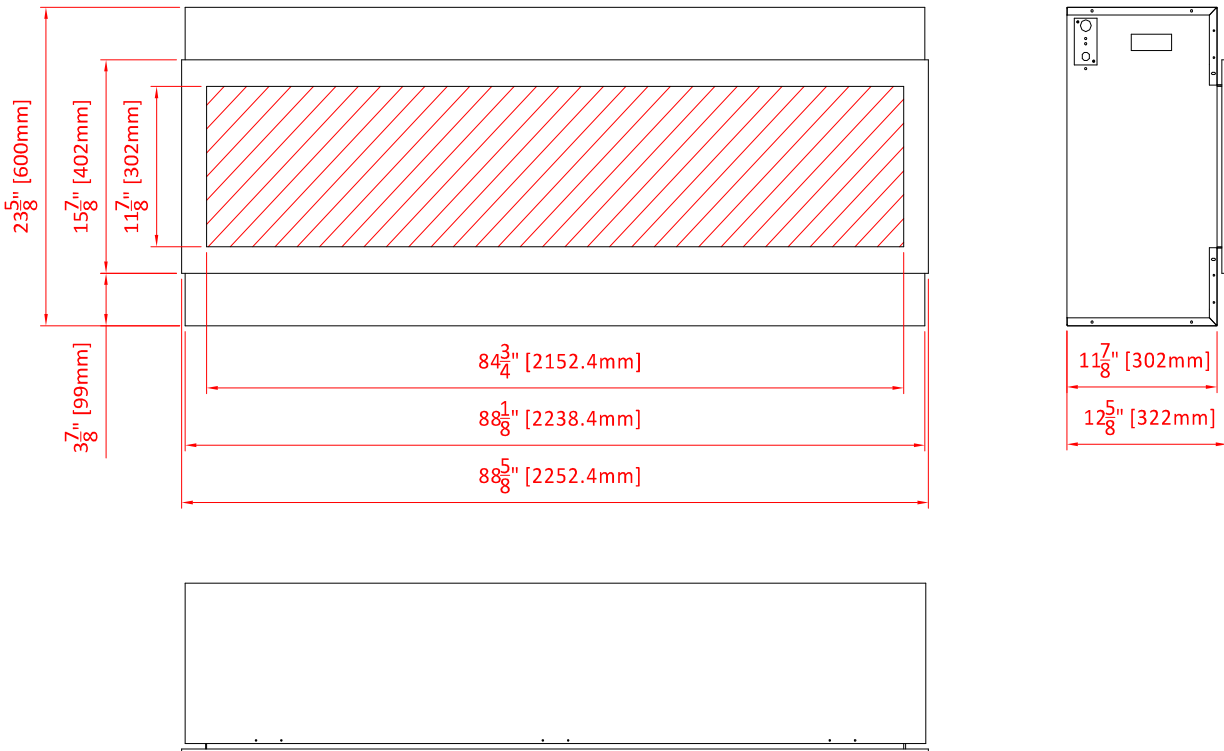


BI-88-DEEP

Description	Built-in Appliance
Voltage	120V AC 60Hz
Watts	1500W Max
NO HEATER	25W
MOTOR HEATER	19W
Appliance Width	88 5/8" or 225.2 cm
Appliance Height	23 5/8" or 60 cm
Appliance Depth	12 1/4" or 31.2 cm
Gross Weight	195.8lbs or 89kg
Plug Location	Left side
Cord Length	70 7/8" or 180 cm
Rough Wall Opening Size	89 1/4" × 25" or 226.7 cm × 63.5 cm
BTU	4800

This appliance has been tested in accordance with the UL Standard 2021 for fixed and location dedicated electric room appliances in the United States and Canada. If you need assistance during installation, please contact your local dealer.

NOTE: This appliance must be electrically wired and grounded in accordance with local codes. In the absence of local codes, use the current CSA C22.1 Canadian Electrical Code in Canada or the ANSI/NFPA 70 National Electrical Code in the United States.



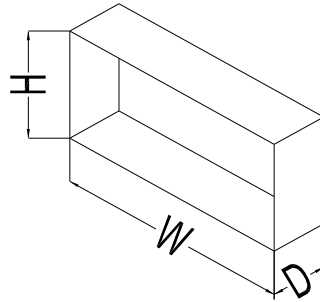
INSTALLATION

The BI-DEEP models are designed to be built-in and allow for the finishing material (drywall, stone, tile, etc) to be built right down to the glass edge. However, that application is not always desirable or available so the surround could be used as an alternate finish option.

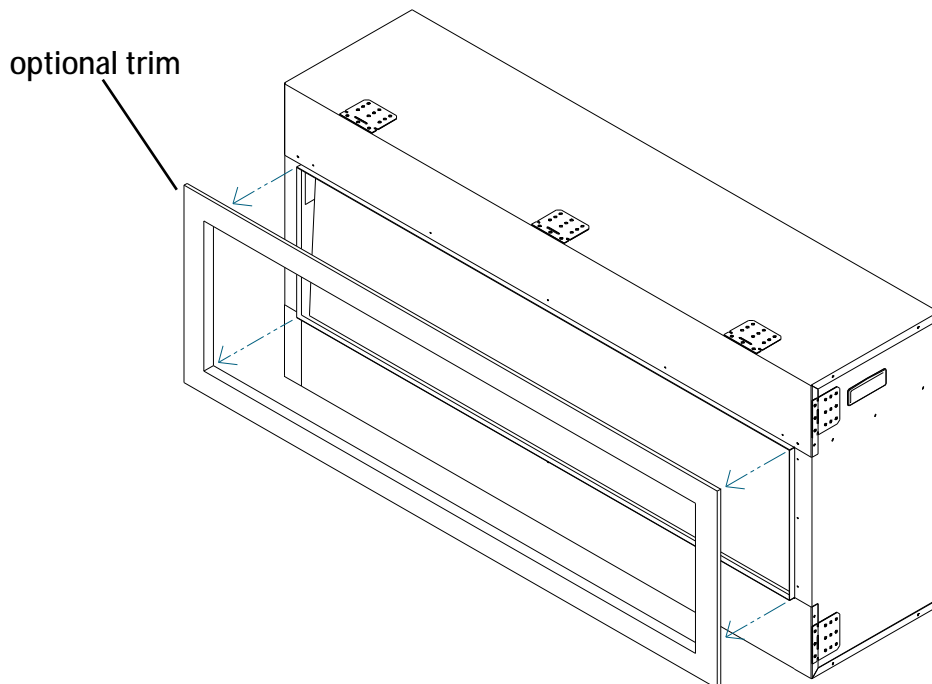
Note: The optional trim can be pulled out directly from the unit. It will need two people to do it.

The rough wall opening size of the fireplace:

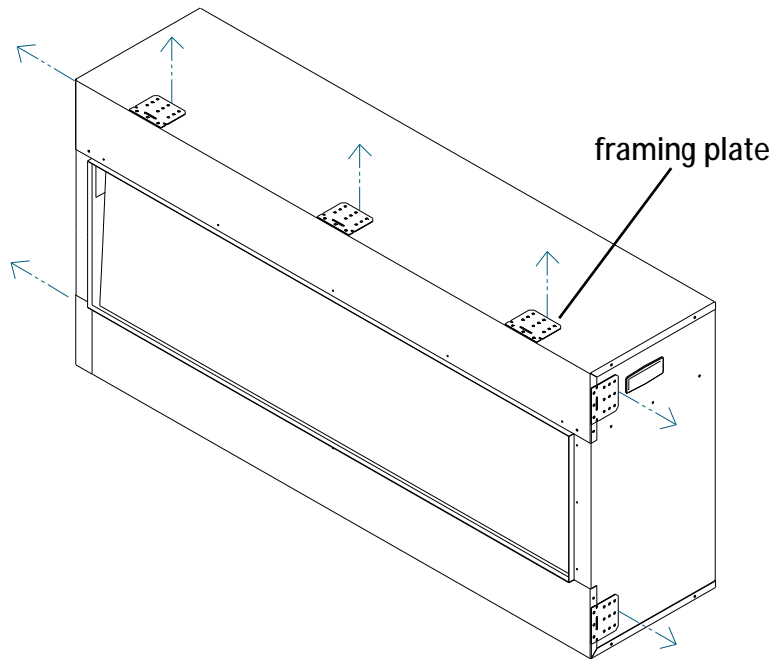
	W(")	D(")	H(")
BI-40-DEEP	40	12	25
BI-50-DEEP	50	12	25
BI-60-DEEP	60	12	25
BI-72-DEEP	73 1/2	12	25
BI-88-DEEP	89 1/4	12	25



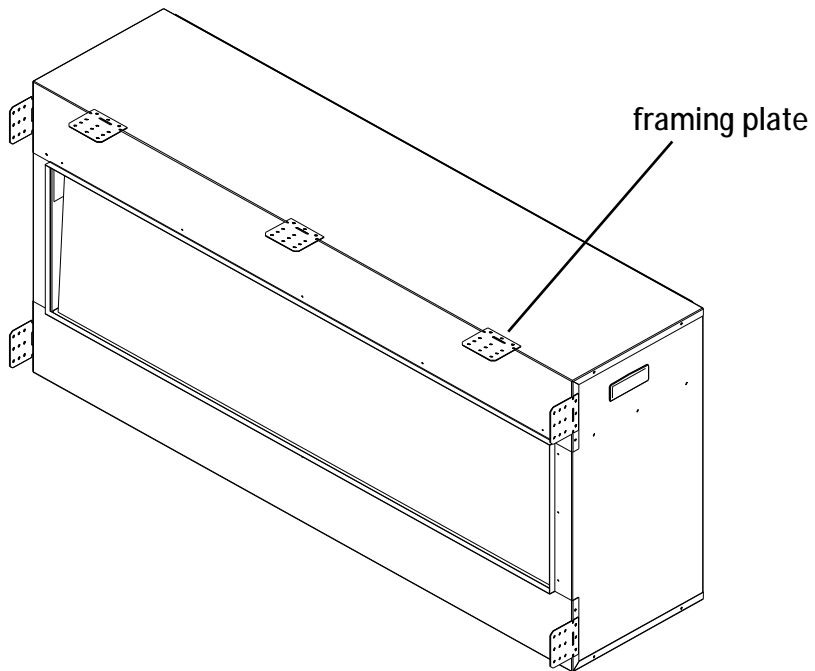
1. Take out the unit from the box. Please do the pre-test before you install the fireplace. Pull out the optional trim from the unit as shows below.



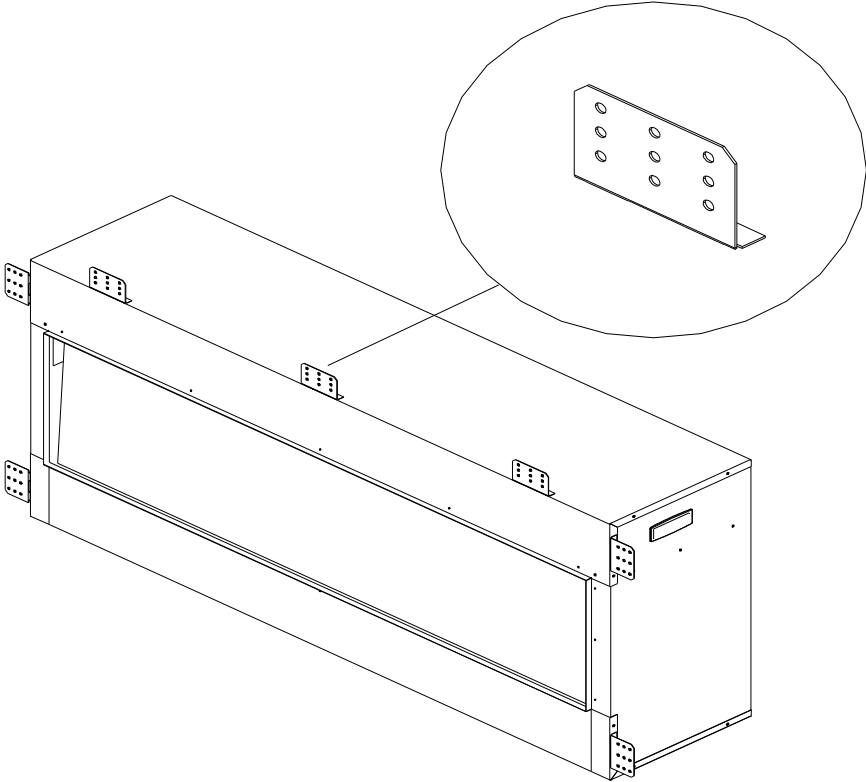
2. Remove the framing plates from the unit



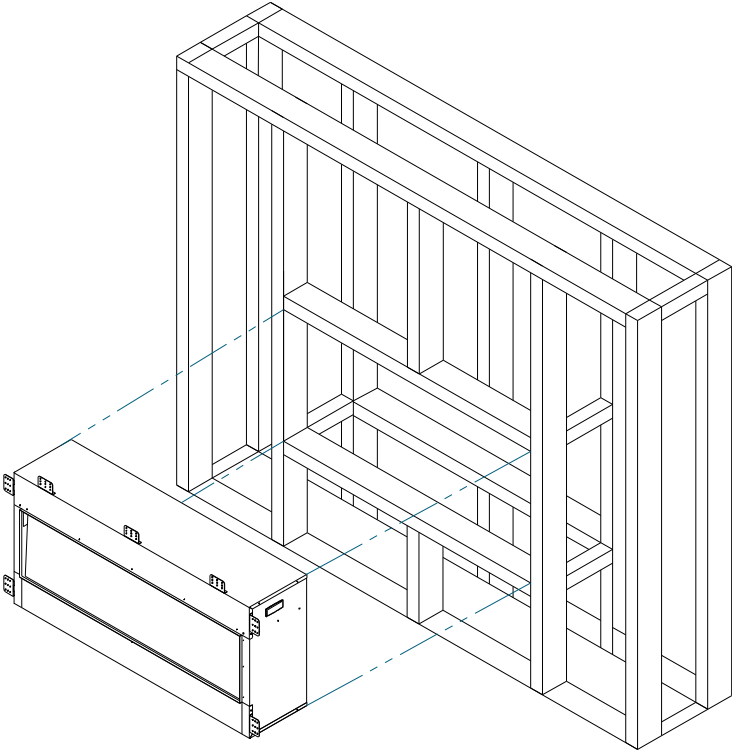
3. Re-fix the framing plates to the unit as the picture shows



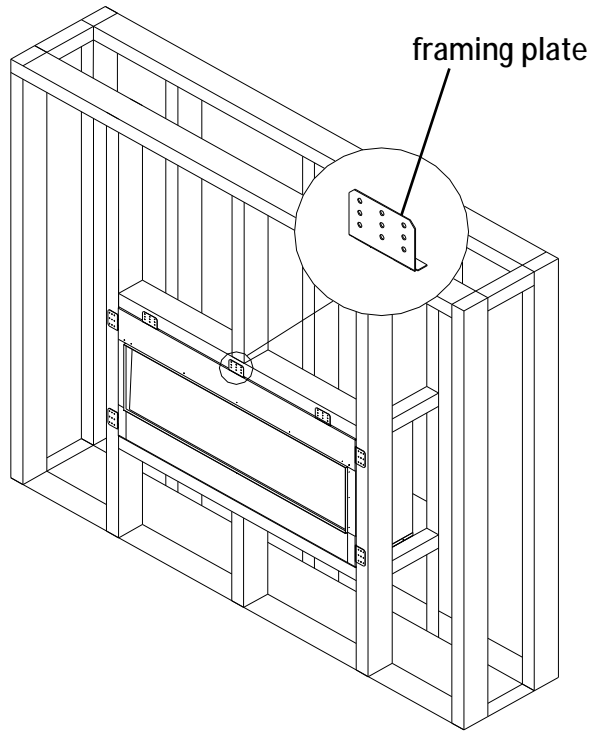
4. Bend up the framing plates.



5. Put the unit into the opening.

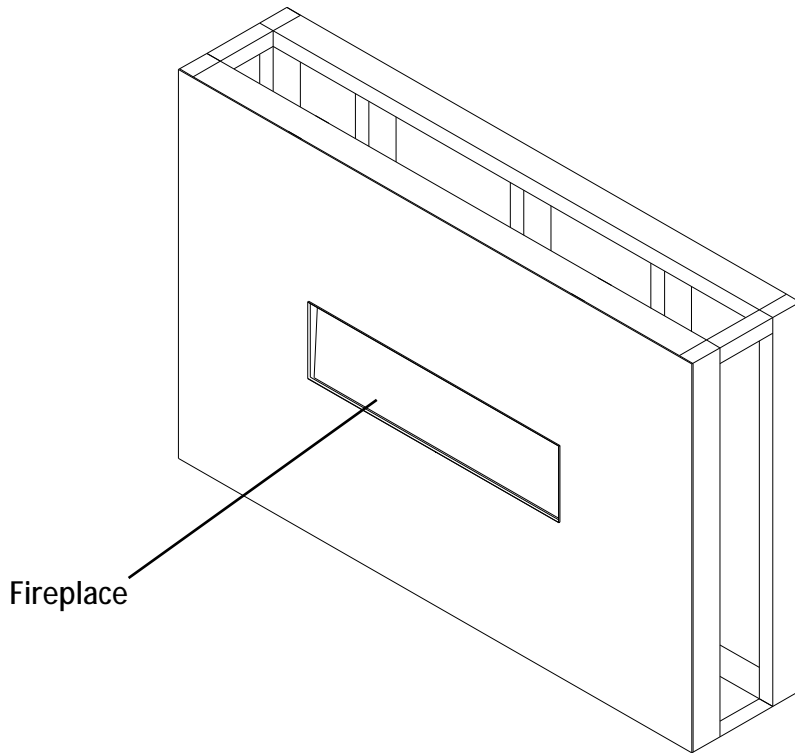


6. Drive the mounting screws into the framing plates on the unit and the wall studs.

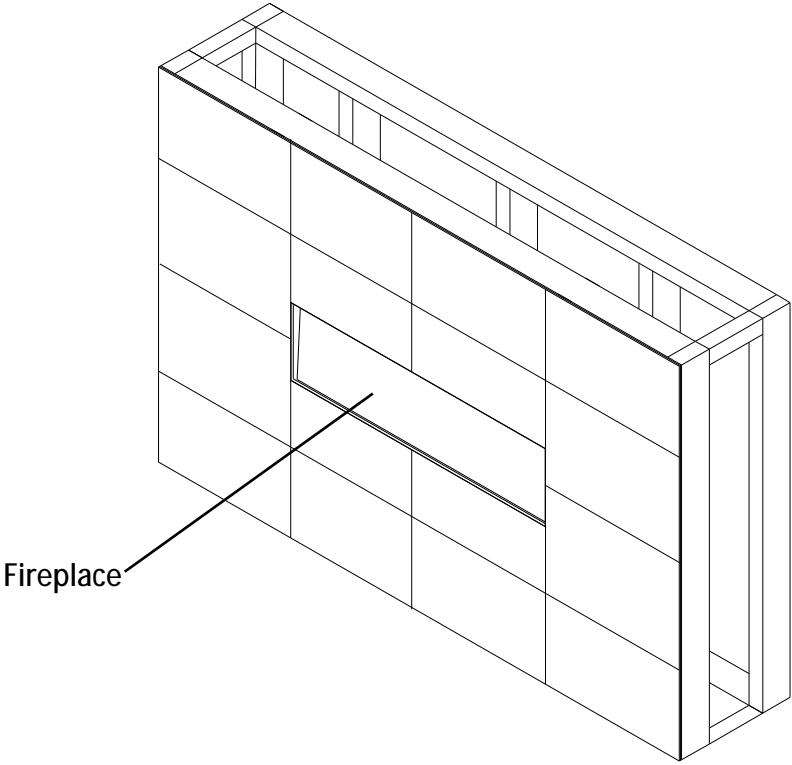


7. After checking that the fireplace operates properly, cover the glass panel with protective plastic bag and install polywood.

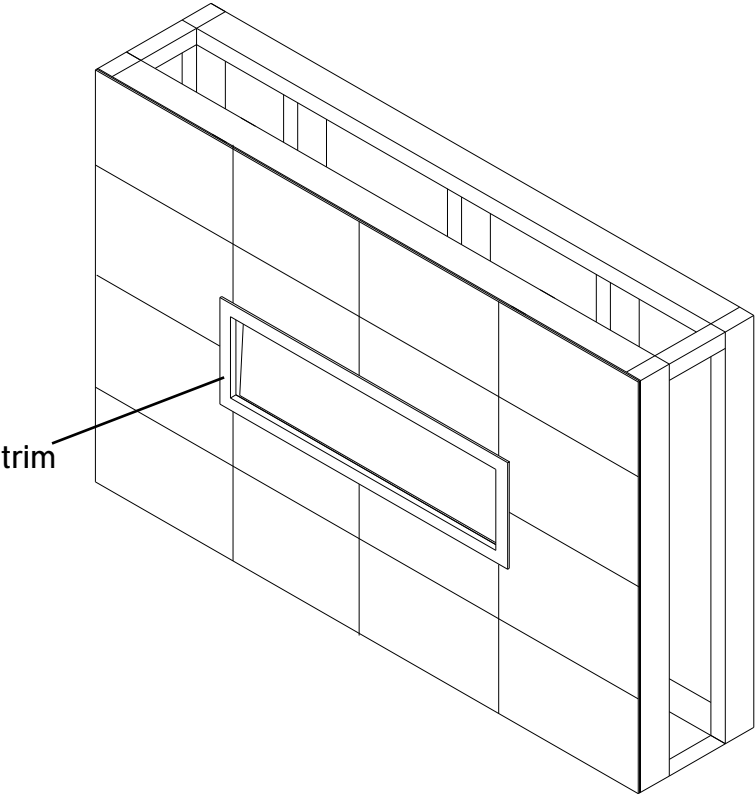
NOTE: IF YOU WANT TO USE THE TRIM KIT SUPPLIED that the thickness of the wall finish can only be 1 inch.



8. Decorate the polywood with glazed tile, wallpaper, etc.



9. Put back the trim that you've removed from the unit at STEP 1.

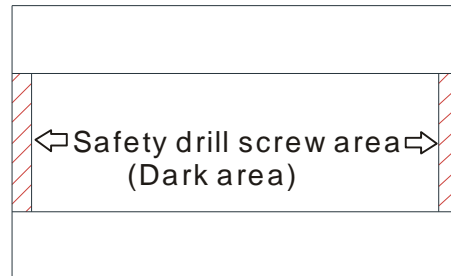


SAFETY DRILL SCREW AREA

There is a safety drill screw area as show below.
Please make sure that the fix screws are in this area.



The manual control pad position



For Bathroom Use

If this unit is installed in a bathroom it must be protected by a GIF receptacle or circuit. If receptacle is used it must be readily accessible.

To prevent electric shock, please be aware that this unit is an electrical appliance that is *NOT* watertight and must be installed as to prevent water from entering unit. This must be installed away from showers, tubs, etc. Never locate fireplace where it may fall into a bathtub or other water container.

HARD- WIRE INSTALLATION

Turn off the appliance completely and let cool before servicing. Only a qualified service person should service and repair this electric appliance.

If it is necessary to hard wire this appliance, a qualified electrician must remove the cord connection, and wire the appliance directly to the household wiring.

This appliance must be electrically connected and grounded in accordance with local codes, if hard wired. In the absence of local codes, use the current CSA C22.1 CANADIAN ELECTRICAL CODE in Canada or the current ANSI/NFPA 70 NATIONAL ELECTRICAL CODE in the United States.

1. Remove the cover plate from the left side of the appliance by removing the two screws, as shown below. Unscrew and remove power cord.



2. Attach the wiring to the junction block. Please make sure the live wire goes into the "L", the neutral wire into "N" and the ground wire into "G".



3. Put the plate back and screw back.

PANORAMA COVER INSTALLATION

Make sure install the pan-cover when the fireplace used outdoors.
Remove the cover from the packaging.

The handles will need to be attached to the cover with the provided hardware as shown in fig. 1



Fig 1

First, place a plate washer and then a spring washer on the screw as shown in fig. 2



Fig 2

Affix the handles to the front of the cover using the prepared screws. Fig. 3



Fig 3

Insert the assembled cover onto the unit as shown in Figs. 4 and 5



Fig 4



Fig 5

Media Options

The BI-40-DEEP, BI-50-DEEP, BI-60-DEEP is shipped with 3 large glass nuggets, clear and blue diamond shaped media and 11 piece log set.

The BI-72-DEEP, BI-88-DEEP is shipped with 6 large glass nuggets, clear and blue diamond shaped media and 11 piece log set.

Glass nuggets, clear and blue diamond shaped media



11 piece log set

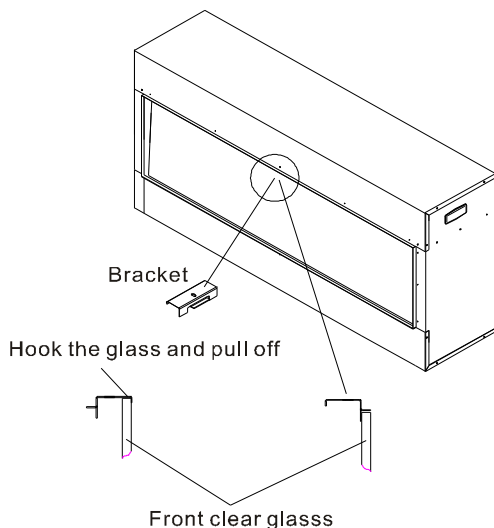


2. Installing the fire glass media. Pour the fire glass media into the tray as shown below. Feel free to use any combination of fire glass media that you find most appealing



Fire Glass Media-Log Installation

1. Take off the front clear glass. There is a bracket which hold the front glass. It is shown as below. Unscrew the screw and take off the bracket. Turn around and insert to the gap. It can hook the glass and pull out the glass.



3. Put back the front glass and screw back the bracket.


OPERATION

The fireplace can be operated either by the switches located on the left bottom of the fireplace unit or by supplied remote control.

Plug the fireplace into a 15 Amp wall socket.



MANUAL OPERATION



1. The main power ON/OFF switch in position O, the fireplace is OFF.
2. When main power ON/OFF switch is at position I, the fireplace is ready to use.
3. Press the  button repeatedly to set the heater to desired heat setting. The heater indicator LED will glow which shows the current heater settings.
 - a) RED 1500W HEAT OUTPUT
 - b) BLUE 750W HEAT OUTPUT
 - c) PURPLE AUTO MODE

AUTO MODE

Under this mode the heater will automatically turn ON at high heat setting 1500W heat output when the room temperature drops below 22°C (72°F). When the room temperature is between 22-25°C (72-77°F) the heater output will switch to low heat setting 750W. When the room temperature goes above 25°C (77°F) the heater will be turned off and the cycle will continue. The LED indicator will be PURPLE in colour under this mode.

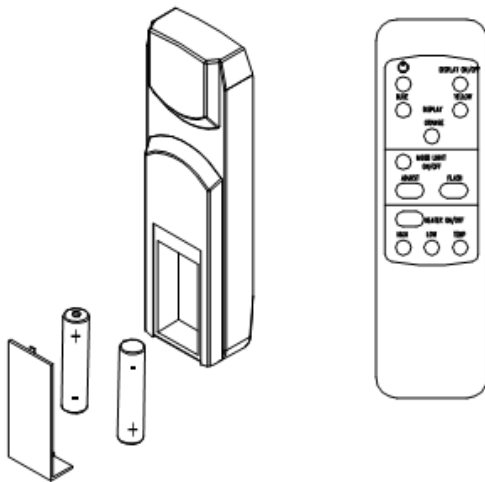
4. Flame effect: Press the button marked  to adjust the flame brightness. The flame brightness will cycle through –Low-Medium-High -OFF.
5. Mood light effect: Press the button marked  to change the mood light colour.

NOTE: If operated at the Low heat setting, the fireplace will not provide as much heat output as in the High heat setting, however the low setting will not require as much electrical power to operate. To avoid overloading a circuit, do not plug the fireplace into a circuit that already has other appliances working. When the fireplace is not in use switch off and unplug.

SAFETY CUT-OFF


- ⌋ This appliance is fitted with a safety cut-off which will operate if the fireplace overheats (eg. Due to blocked air vents). For safety reasons, the fireplace will NOT automatically reset.
- ⌋ To reset the appliance, disconnect the appliance from the main supply for at least 10 minutes. Reconnect the supply to the main and switch on the appliance.

REMOTE CONTROL OPERATION



For remote to function make sure the heater is plugged in and main power switch located on the bottom left hand side is at position I.

When operating the remote make sure you point the remote to the centre of the fireplace and make sure each time you press the button the buzzer inside the unit will beep once. It takes some time for the receiver to respond to the transmitter. Do not PRESS the buttons more than once within two seconds for correct operation.

Power on  button: The power-on button at top left corner of the remote is the main ON/OFF power button. This will turn off all the functions and the fireplace will be in standby mode.

DISPLAY ON/OFF button: Switching the fireplace flame and tray light ON/OFF. It has functions of setting memory.

DISPLAY BLUE button: Adjust the blue color brightness of flame and tray.

DISPLAY YELLOW button: Adjust the yellow color brightness of flame and tray.

DISPLAY ORANGE button: Adjust the orange color brightness of flame and tray.

MOOD LIGHT ON/OFF button: Switching the mood light ON/OFF.

ADJUST button: Switching the color of the mood light.

FLASH button: Switches the mood light into flash mode, this cycles through all mood light colors.

HEATER ON/OFF button: Switching the heater ON/OFF. It has functions of setting memory.

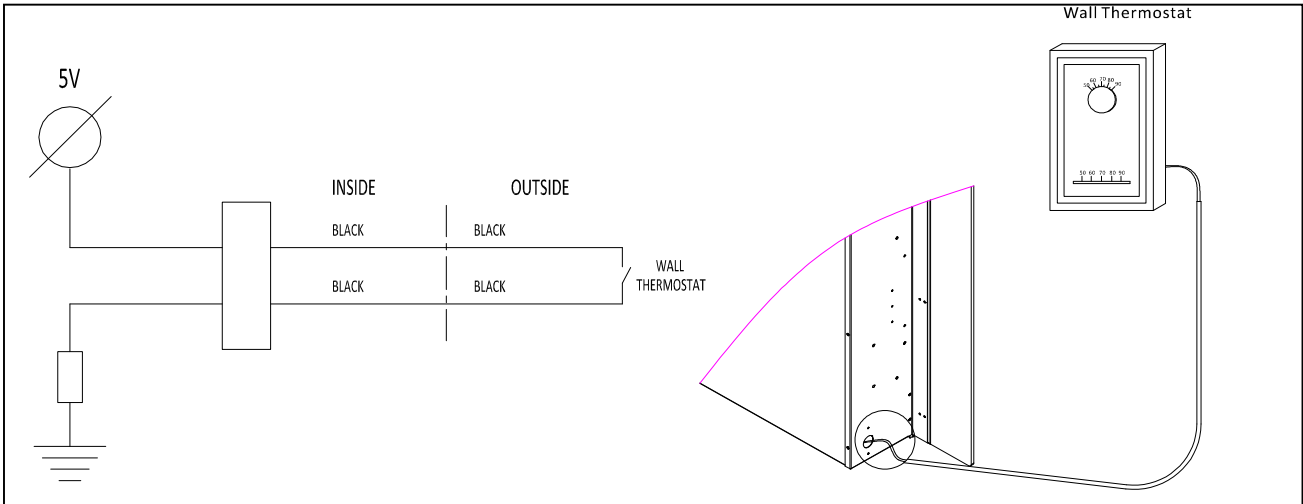
HIGHT button: Press the high button to switch the heater to high heat setting 1500W.

LOW button: Press the low button to switch the heater to low heat setting 750W.

TEMP. button: Press the TEMP. button to switch the heater to AUTO mode. Under this mode the heater will operate in similar way as explained above for the manual operation.

INSTALLING WALL THERMOSTAT

WALL THERMOSTAT WIRING DIAGRAMS



Wire the wall thermostat prior to installing the fireplace.

WALL THERMOSTAT WIRING(24 VAC)

Install Wall Thermostat per instructions provided with kit and per the following information:

1. Turn off circuit breaker.
2. Remove cover plate located on the left side of appliance.
3. Pull the wire out and cut the inside thermostat. Connect the wires to the wall thermostat as shown below. Follow instructions provided with wall switch kit.

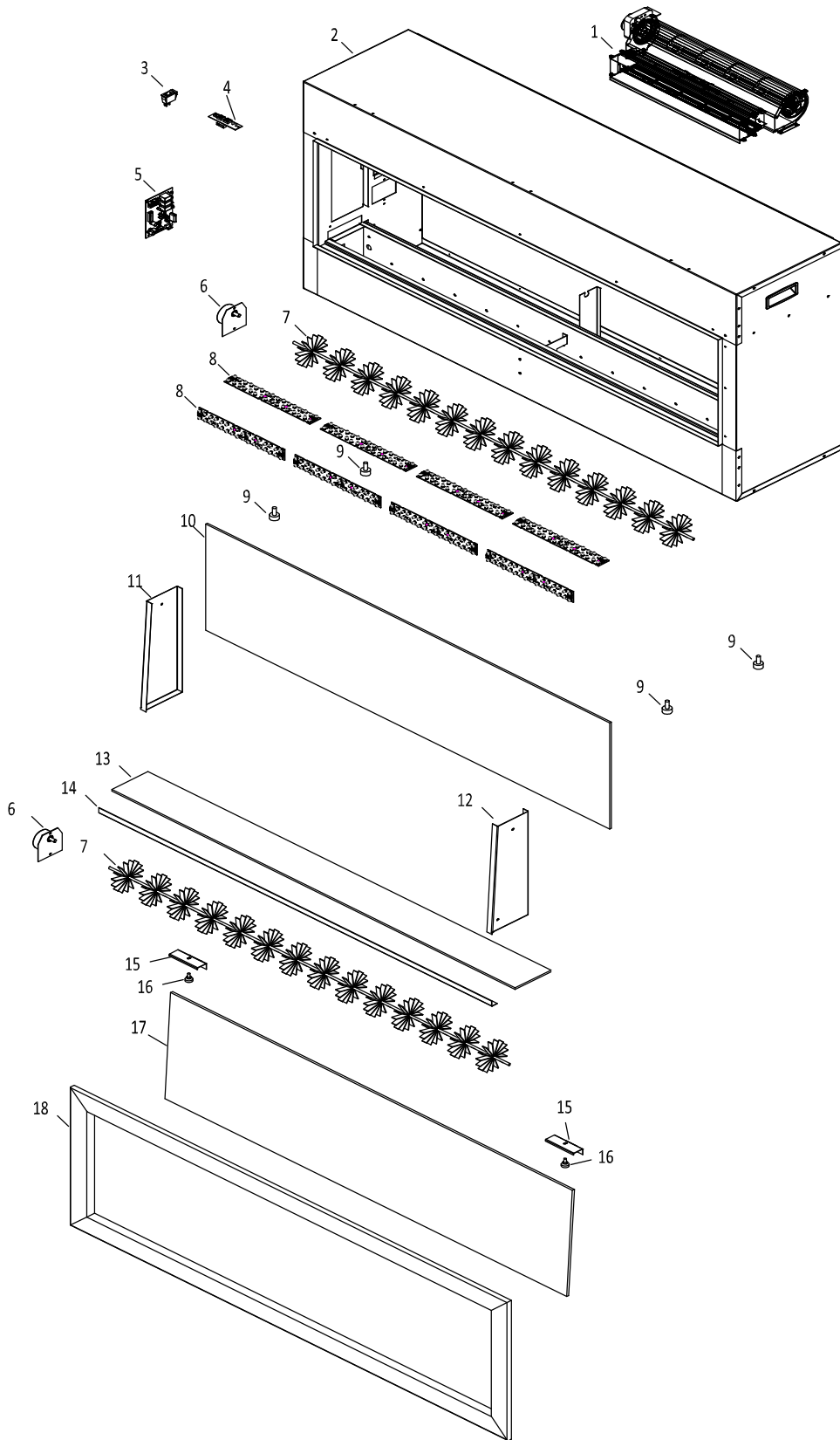


REPLACEMENT PARTS

This list contains replacement parts

NO.						DESCRIPTION	QTY.
	BI-40-DEEP	BI-50-DEEP	BI-60-DEEP	BI-72-DEEP	BI-88-DEEP		
1	602030C	602030C	602030C	602030C	602030C	BLOWER AND HEATER ASSEMBLY	1
2						FIREPLACE BOX	
3	10104010	10104010	10104010	10104010	10104010	SWITCH	1
4	601032B	601032B	601032B	601032B	601032B	CONTROL PANEL	1
5	601092C	601092C	601092C	601092C	601092C	CIRCUIT BOARD	1
6	10101225	10101225	10101225	10101225	10101225	FLAME MOTOR	2
7	3109503	3057503	3110503	3058503	3111503	FLICKER ASSEMBLY	2
8	601136B	601136B	601136B	601137B	601137B	LED STRIP	
9	10203015	10203015	10203015	10203015	10203015	ADJUSTABLE FOOT	4
10						FLAME EFFECT GLASS(CLEAR GLASS WITH BLACK PLASTIC)	1
11	3057012	3057012	3057012	3057012	3057012	GLASS BRACKET LH	1
12	3057013	3057013	3057013	3057013	3057013	GLASS BRACKET RH	1
13	10702155	10702152	10702156	10702153	10702157	BOTTOM GLASS	1
14	3109017	357017	3110017	358017	3111017	MEDIA HOLD BRACKET	2
15	3057016	3057016	3057016	3057016	3057016	FRONT GLASS BRACKET.	2
16						ADJUSTABLE SCREW	2
17	10701187	10701165	10701189	10701166	10701191	FRONT GLASS	1
18	3109501	3057501	3110501	3058501	3111501	Black steel surround	1
19	10105063	10105063	10105063	10105063	10105063	REMOTE	1

EXPLODED VIEW



TROUBLE SHOOTING

PROBLEM	POSSIBLE CAUSE	SOLUTION
Dim or no flame	Flame LED's are burnt out	Inspect the LED's and replace them if necessary.
Ember bed is not glowing or dimming	Ember LED's are burnt out	Inspect the ember bed LED's and replace them if necessary.
Appliance turns off and will not turn on	Appliance has overheated and safety device has caused the thermal switch to disconnect	Turn off the main switch, allow appliance to cool for 10 minutes, then turn it on.
	House circuit breaker has tripped	Reset house circuit breaker.
	Appliance's fuse has blown	Replace the fuse.
Appliance will not come on when switch is flipped to ON	Appliance is not plugged into an electrical outlet	Check plug and plug in.
	Appliance has overheated and safety device has caused the thermal switch to disconnect	Turn off the main switch, allow appliance to cool for 10 minutes, then turn it on.
	Circuit board is burnt out	Inspect the circuit board and replace it if necessary.
No warm air coming out of appliance	Heater is burnt out	Inspect the burner and heater assembly and replace it if necessary.
Flame sputters	Flame motor is defective.	Call a qualified service technician and replace flame motor.
Remote Control does not work.	Low batteries. Unit switch in "O" position.	Replace AAA batteries in remote control. Turn the switch in "I" position.
Flame is fixed.	Wiring may be loose or the flame motor may be defective.	

SERVICE HISTORY

This heater must be serviced annually depending on usage.

Date	Dealer Name	Service Name	technician	Service Performed	Special Concerns

NOTES:

