

INSTALLATION AND USER INSTRUCTION GUIDE

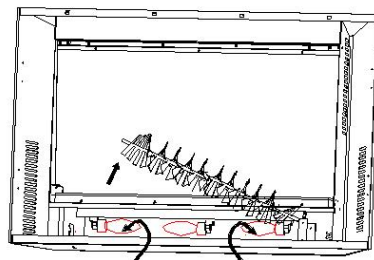
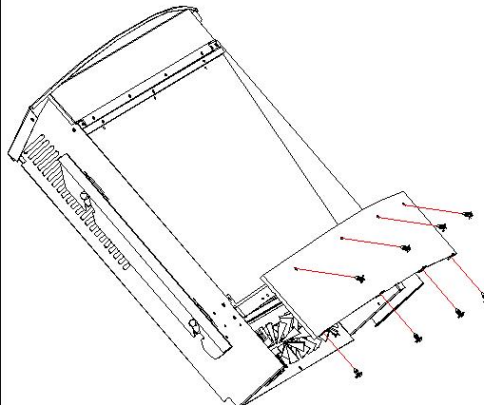
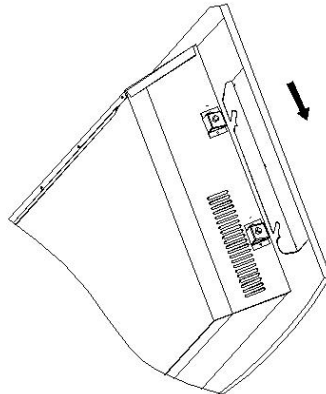
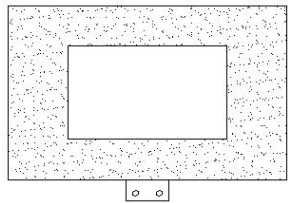
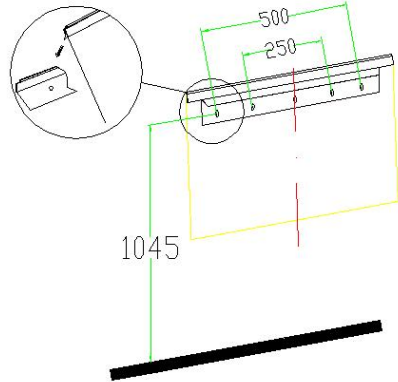
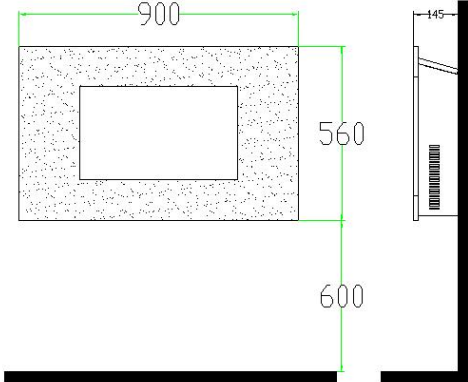


Electric Fire With Remote Control

Model: WM-3522CF

Please read all instructions carefully and
retain for future reference

**IMPORTANT: THESE INSTRUCTIONS SHOULD BE READ CAREFULLY AND
RETAINED FOR FUTURE REFERENCE.**



Important Safety Instructions

When using this electrical appliance, basic precautions should be followed to reduce the risk of fire, electric shock, and injury to person, including the following:

- Read all instructions before using the heater.
- This heater must be used on an AC supply only and the voltage marked on the heater must correspond to the supply voltage.
- Do not switch the appliance on until it properly installed as described in this manual.
- The heater must not be located immediately below a socket outlet.
- Keep furniture, curtains and other flammable material at least 1 meter away from the appliance.
- Do not leave the appliance unattended during use.
- Do not leave the appliance unattended whilst connected to the mains supply.
- Keep out of reach of children and do not allow them to operate this appliance.
- This appliance is intended for household use and should not be used for industrial Purposes.
- From time to time, check the cord for damage. Never use the appliance if the cord or any part of the appliance shows signs of damage.
- Do not operate this appliance with a damaged plug or cord, after a malfunction or after Being dropped or damaged in any way.
- Repairs to electrical appliances should only be performed by a qualified electrician. Improper repairs may place the user at serious risk.
- Do not run the mains cable under carpets, rugs etc.
- Do not allow the mains cable to hang over sharp edges or come into contact with hot surfaces.
- Do not cover or obstruct the heater in any way.
- Overheating will result if it is accidentally covered.
- Never immerse the product in water or any other liquids.
- Do not use this heater in the immediate surroundings of a bath, a shower or a swimming pool.
- Do not use the appliance outdoors.
- Do not use if you have wet hands.
- Never use the appliance on or near hot surfaces.
- Do not operate with a damaged cord.
- Before cleaning the appliance, ensure it is unplugged from the power and that it is Completely cooled.
- Do not clean the appliance with abrasive chemicals.
- Never use accessories that are not recommended or supplied by the manufacturer. It could cause danger to the user or damage to the appliance.
- The only user replacement parts are the bulbs. There are no other user replacement parts. All other servicing should be referred to a qualified engineer.
- This appliance is not intended for use by persons (including children) with reduced Physical, sensory or mental capabilities, or lack of experience and knowledge unless they have been given supervision or instruction concerning use of the appliance by a person responsible for their safety.
- Children should be supervised to ensure that they do not play with the appliance.

- Do not lift the appliance by the front panel.
- Keep hot air outlet at least 1 meter away from ceiling.

CAUTION: In order to avoid a hazard due to inadvertent resetting of the thermal cutout, this appliance must not be supplied through an external switching device, such as a timer, or connected to a circuit that is regularly switched on and off by the utility.

Getting Started

- Remove the appliance from the box.
- Remove any packaging from the product.
- Place the packaging inside the box and either store or dispose of safely.

Contents of Carton

- Heater.
- Wall fixing bracket.
- Fixing screws and wall plugs.
- Remote control.
- 1 Instruction Manual.

Helpful Advice Before Fitting

- Please retain all packaging until you have checked and counted all the parts and the contents of the fixing pack against the parts list.
- The fixing pack contains small items which should be kept away from young children.
- We suggest that you open the fixing pack and place all the contents into a container, therefore reducing the risk of losing any small pieces.

Installation

- Do not connect the appliance until properly fixed to the wall and the instructions is read fully.
- The minimum distances must be observed.
- For installation of the appliance, care must be taken not to damage concealed cables.
- Please be careful while drilling the holes.
- This appliance is designed to be permanently fixed to a wall at a minimum height of 300mm. The wall bracket must be fitted horizontally and the cable routed to the bottom right of the heater.
- A height of 600mm from bottom of heater to floor is recommended for optimum viewing of fuel bed (see Fig.2 for recommend fixing dimensions) .
- For optimum viewing, mark the top four screws fixing positions on wall in accordance with the recommend fixing dimensions- see Fig.2. Drill holes with a six drill bit.
- Fix the wall bracket using that the plug and screws provided .
- Carefully lift the heater up ensuring that the top rear ledge of heater engages the wall bracket (see Fig.2 in circle) and is sitting centrally.
- Gently bring the heater level with the wall.
- Mark the bottom holes position-see Fig.3, remove the heater ensuring that the bottom fixing

bracket is rotated up.

- Drill and fit wall plug.
- Refit the heater to the wall fixing bracket and rotate the bottom fixing bracket down again and use the screw provided to permanently fix the heater in place.
- Unpack the pebbles from the bag and place them along the light unit in the desired Position.
- Place the front glass surround over the front of the fire aligning the slots in the brackets at each side of the glass panel with the lugs on the sides of the fire-see Fig.4. Again two people will be required for this operation.

Instructions for Use

- The appliance can be operated either by the switches located on the top right hand side of the fire or by supplied remote control.

Manual Operation

- The switches located at the top right hand side of the fire .The standby switch must be first switch on..
- Press once the O/I button to turn on the appliance and fire effect.. A red indicator light will appear to indicate that the function is ON. Press the O/I button for 3 seconds this will operate the dimmer mode.
- Press once the 750W button for the low heat settings; press twice to switch off the heat setting.
- Press once the 1500W button for the high heat settings; press twice to switch off the heat setting.

Remote Operation

- The standby switch located at the top right hand side of the fire must be first switch on..
- It takes some time for the receiver to respond to the transmitter. Do not PRESS the buttons more than once within two seconds for correct operation.
- Press once the button ON/OFF on the remote control this turns ON/OFF the appliance and fire effect.
- Press once the 750W button for the low heat settings; press twice to switch off the heat setting.
- Press once the 1500W button for the high heat settings; press twice to switch off the heat setting.
- Press the DIMMER button for operate the dimmer mode.

Safety Cut-Off

- This appliance is fitted with a safety cut-off which will operate if the fire overheats (eg. due to blocked air vents). For safety reasons, the fire will NOT automatically reset.
- To reset the appliance, disconnect the appliance from the mains supply for at least 15 minutes. Reconnect the supply to the mains and switch on the appliance.

Troubleshooting

Symptom	Solution
No operation/ no fan.	Check for safety cut-off operation.
No fire effect light.	Check the bulb by replacement.

Replacing the Lamp

Caution: The lamps must be in place.

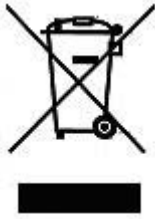
- **Warning**-Always disconnect from the power supply before removing bulb.
- **Warning**-The bulbs reach high temperatures during operation. Allow the bulbs to cool down after switching off the appliance before changing lamps.
- **Note:** Two people will be required for this process.
- It is recommended that the fire is carefully removed from the wall and laid on its back in order to replace the lamp.
- Gently slide the front glass panel towards the top of the fire and remove. Store the glass safely out of the way whilst the bulb is replaced so that it does not get damaged.
- At the bottom of fire, there is a lamp cover fixed by eight Philip's head screws, remove the eight screws and lift off the lamp cover-see Fig.5.
- For access to the bottom bulbs, carefully slide the flexible rotisserie to one side ensuring that the rubber grommet is not lost-see Fig.6
- Remove the defective bulb by unscrewing it.
- Replace with a 40W E12 SES Clear Candle bulb, rotating it. Take care not to over-tighten the bulb.
- Refit the rotisserie making sure that the rubber grommet is carefully pushed into the slotted hole on the axial bracket.
- Lift the fire back onto the wall and replace the glass front by lifting onto the lugs either side of the fire.

Cleaning

- **Warning**-Always disconnect from the power supply before cleaning heater
- For general cleaning use a soft clean duster-never use abrasive cleaners. The glass viewing screen should be cleaned carefully with a soft cloth. DO NOT use proprietary glass cleaners.

Technical Specification

- Supply: 100-120V~ 60Hz
- Rated power:1500W
- Lighting: 40W E12 SES Clear Candle bulb



Do not dispose of electrical appliances as unsorted municipal waste, use separate collection facilities.

Contact you local government for information regarding the collection systems available. If electrical appliances are disposed of in landfills or dumps, hazardous substances can leak into the groundwater and get into the food chain, damaging your health and well-being.

When replacing old appliances with new ones, the retailer is legally obligated to take back your old appliance for disposals at least free of charge.

WARRANTY

Amantii Imports Corp. (“Amantii”) warrants that your newly purchased Amantii electric fireplace is free from manufacturing and material defects for a period of one (1) year from the date of the first purchase, subject to the conditions and limitations contained below.

Warranty Application & Exclusions

This limited warranty applies to your newly purchased Amantii electric fireplace; the limited warranty’s application is limited to purchases made in any province of Canada or in any of the 52 States of the United States of America, including the District of Columbia. Only the original purchaser of the product is eligible for coverage under this limited warranty; the warranty is not transferable.

Light bulbs are not covered by this limited warranty and are the sole responsibility of the owner/purchaser.

Warranty Coverage and Term

Products covered by this limited warranty have been tested and inspected prior to shipment and, subject to the provisions of this warranty, Amantii warrants such products to be free from defects in material and workmanship for a period of one (1) year from the date of the first purchase of such products.

The limited one (1) year warranty period for products also applies to any implied warranties that may exist under applicable law. Some jurisdictions do not allow limitations on how long an implied warranty lasts, so the above limitation may not apply to the purchaser.

All other warranties—expressed or implied—with respect to the product, its components and accessories or any obligation/liabilities on the part of Amantii are hereby expressly excluded.

Limitations to Coverage Under Limited Warranty

This limited warranty does not apply to products that have been repaired, except by Amantii or its authorized service representatives, or otherwise altered. This limited warranty further does not apply to defects resulting from misuse, abuse, accident, neglect, incorrect installation, improper maintenance or handling, or operation with an incorrect power source.

Products made by other manufacturers, sold with the product or thereafter, are not covered by this limited warranty. The use of unauthorized components will render this warranty null and void.

Service Under Limited Warranty

Defects must be brought to the attention of Amantii Technical Service by contacting Amantii at (1-888-406-8764), or at 1503 – 7088 18th Avenue, Burnaby, British Columbia, Canada, V3N 0A2. Please have your proof of purchase, catalogue/model and serial numbers available when calling; any and all service under the limited warranty requires a proof of purchase of the product.

Defects

Should a product or part covered by this limited warranty be proven to be defective, in material or workmanship, and during the one (1) year limited warranty period, Amantii will replace such defective
Error! Unknown document property name.

product or part without charge. If Amantii is unable to replace such product, or if replacement is not commercially practicable or cannot be timely done, in its sole discretion Amantii may, in lieu of replacement, choose to refund the purchase price for such product or part.

Limitations

In no event will Amantii, including without limitation any of its directors, officers, shareholders, employees, consultants, agents, heirs, executors, administrators and assigns, be liable to the purchaser or any third party, whether in contract, in tort, or on any other basis for any indirect, special, punitive, exemplary, consequential, or incidental loss, cost or damage arising out of or in connection with the sale, maintenance, use or inability to use the product, even if Amantii, including without limitation any of its directors, officers, shareholders, employees, consultants, agents, heirs, executors, administrators and assigns, have been advised of the possibility of such losses, costs or damages, or if such losses, costs or damages are foreseeable. In no event will Amantii, including without limitation any of its directors, officers, shareholders, employees, consultants, agents, heirs, executors, administrators and assigns, be liable for any direct losses, costs or damages that exceed the purchase price of the product.

Some jurisdictions do not allow the exclusion or limitation of incidental or consequential damages, so the above limitation or exclusion may not apply to the purchaser.

Application of Provincial and State Law

This limited warranty gives you specific legal rights, and you may also have other rights which vary from jurisdiction to jurisdiction. The provisions of the United Nations Convention on Contracts for the Sale of Goods shall not apply to this limited warranty or the sale of products covered by this limited warranty.

General

Amantii reserves the right to make changes at any time without notice, in design, material, specifications, prices and the right to discontinue styles and products.