



ELECTRIC FIREPLACES

INSTALLATION AND OPERATING INSTRUCTIONS FOR BUILT-IN UNITS

**WM-BI-28-3421, WM-BI-43-5123, WM-BI-58-6421,
WM-BI-76-8221, WM-BI-106-11524**

This manual will enable you to obtain a safe, efficient and dependable installation and operation of your electric fireplace. Please read and understand these instructions before beginning your installation.

Do not alter or modify this fireplace or its components under any circumstances. Any modification or alteration of the fireplace system, including but not limited to the fireplace and accessories, may void the warranty, listing and approval of this system and could result in an unsafe and potentially dangerous installation.

Amantii electric fireplace is designed for use as a decorative appliance and/or as a supplemental heater. They are not intended for continuous use as a primary heat source.

SAFETY INFORMATION



WARNING

If the information in this manual is not followed exactly, an electric shock or fire may result causing property damage, personal injury or loss of life.

Do not store or use gasoline or other flammable vapors and liquids in the vicinity of this or any other appliance.



**INSTALLER: LEAVE THIS MANUAL WITH THE APPLIANCE.
CONSUMER: RETAIN THIS MANUAL FOR FUTURE REFERENCE.**

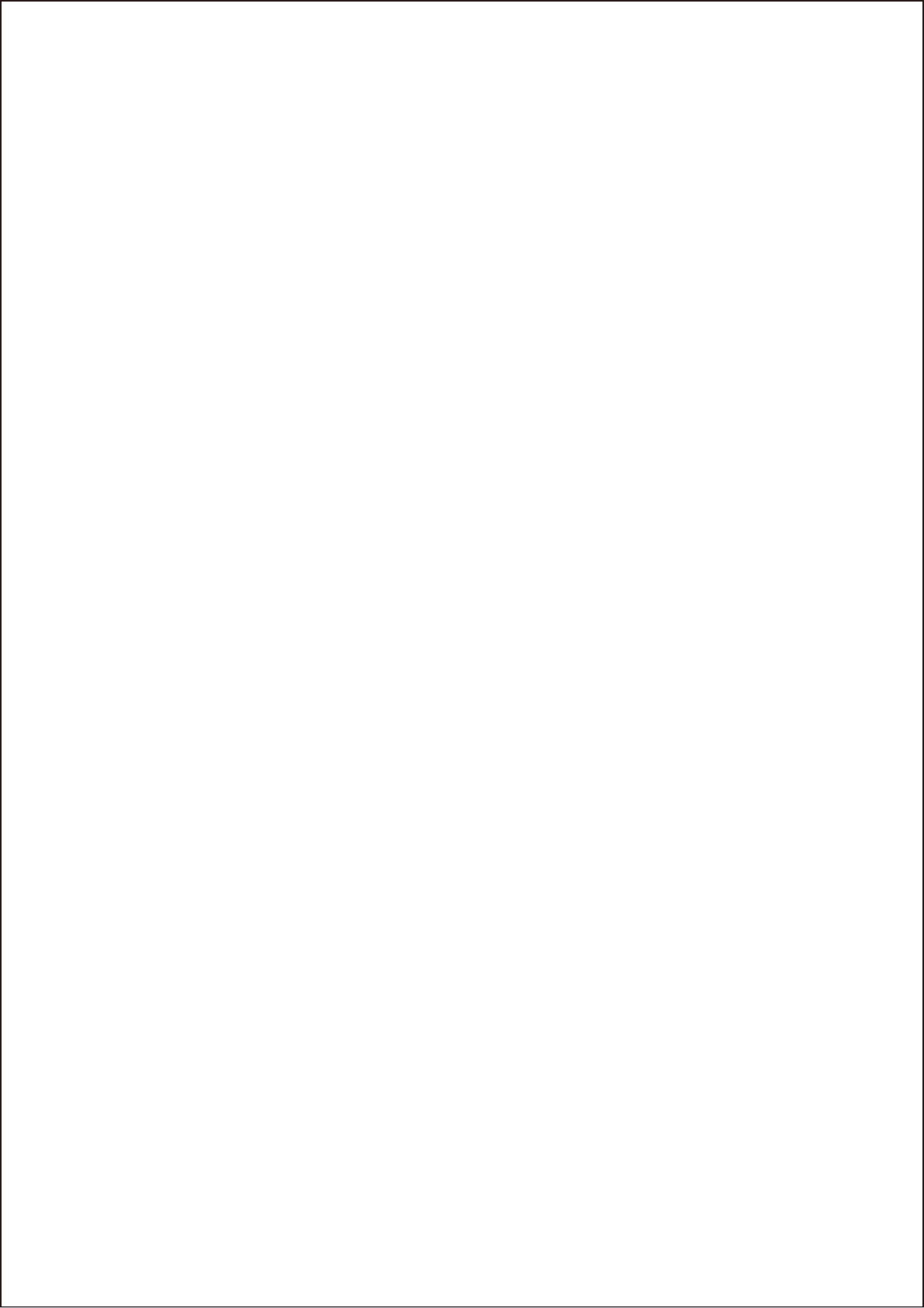


TABLE OF CONTENTS

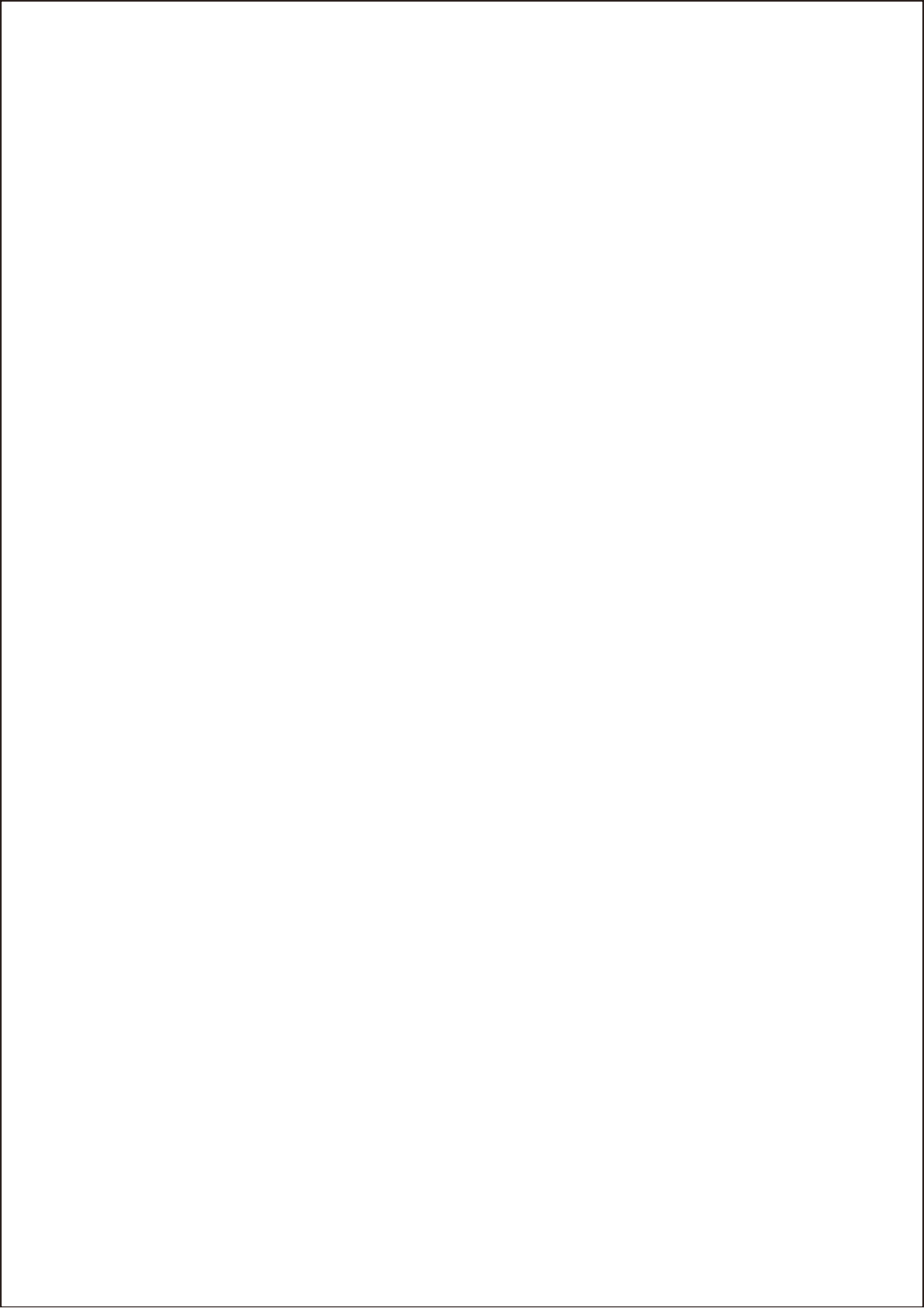
CONGRATULATIONS!

In selecting this Amantii wall mount or Built-In electric fireplace, you have chosen the finest and most dependable fireplace on the market today. A beautiful and functional addition to the finest homes. Welcome to the family of satisfied Amantii electric fireplace owners.

Please read and carefully follow all of the instruction found in this manual. Please pay special attention to the safety instructions provided in this manual. The services included here will assure that you have many years of dependable and enjoyable services from your Amantii product.

Important Instructions	Page 3
WM-BI-28-3421	Page 4
WM-BI-43-5123	Page 5
WM-BI-43-5123	Page 6
WM-BI-58-6421	Page 7
WM-BI-58-6421	Page 8
WM-BI-76-8221	Page 9
WM-BI-106-11524	Page 10
Installation Overview	Page 11
Package Contents	Page 13
Built-In Installation	Page 14
Wall Mount Installation	Page 16
Hardwire Installation	Page 17
Fire Glass Media Installation	Page 18
Front Installation	Page 19
Operating the Unit	Page 20
Mood Light	Page 24
Replacing the Remote Control Battery	Page 25
Care and Maintenance	Page 26
Fireplace Maintenance	Page 27
Troubleshooting	Page 28
Service History	Page 29
Spare Parts List	Page 30
Warranty	Page 31
Dealer Contact Information	Back Page





IMPORTANT INSTRUCTIONS

⚠ WARNING!

When using electrical appliances, basic precautions should always follow to reduce the risk of fire, electric shock, and injury to persons, including the following:

1. Read all instructions before installing or using this heater.
2. This heater is hot when in use. To avoid burns, do not let bare skin touch hot surfaces. Keep combustible materials. Such as furniture, pillows, bedding, papers, clothes, etc. and curtains at least 3 feet (0.9 m) from the front of the heater and keep them away from the sides and rear.
3. Extreme caution is necessary when any heater is used by or near children or individuals with disabilities and whenever the heater is left operating and unattended.
4. Do not operate any heater after its malfunctions. Disconnect power at service panel and have heater inspected.
5. Do not use outdoors.
6. To disconnect heater, turn controls to off, and turn off power to heater circuit at main disconnect panel (or operate internal disconnect switch if provided).
7. Do not insert or allow foreign objects to enter any ventilation or exhaust opening as this may cause an electric shock or fire, or damage the heater.
8. The prevent a possible fire, do not block aire intakes or exhaust in any manner.
9. A heater has hot and arcing or sparking parts inside. Do not use it in areas where gasoline, paint, or flammable vapors or liquids are used or stored.
10. Use this heater only as described in this manual. Any other use not recommended by the manufacturer may cause fire, electric shock, or injury to persons.
11. SAVE THESE INSTRUCTIONS.
12. Ensure clearances to combustibles are maintained when building a mantel or shelves above the appliance. Elevated temperatures on the wall or in the air above the appliance can cause melting, discolouration or damage to decorations, a T.V. or other electronic components.
13. Amantii reserves the right to update and change the specifications and instructions in this manual as needed. If in doubt, please visit our website at www.amantii.com for the most recent version of the manual.
14. To reduce the risk of fire, do not store or use gasoline or other flammable vapors and liquids in the vicinity of the heater.
15. See directions in Figure 1. This heater is for use on 120 volts. The cord has a plug as shown at A. See Figure 1 for grounding instruction. An adapter as shown at C is available for connecting three-blade grounding type plugs to two-slot receptacles. The green grounding plug extending from the adapter must be connected to a permanent ground such as a properly grounded outlet box. An adapter should not be used if a three-slot grounded receptacle is available.
16. This heater has included a visual alarm to warn that parts of the heater are getting excessively hot. If the alarm illuminates, immediately turn the heater off, unplug the heater and inspect for any objects on or adjacent to the heater that may have blocked the airflow or otherwise caused high temperatures to have occurred. DO NOT OPERATE THE HEATER WITH THE ALARM ILLUMINATED.
17. Air Vent has extreme hot when in use. Keep the electrical cord do not closer the air vent.

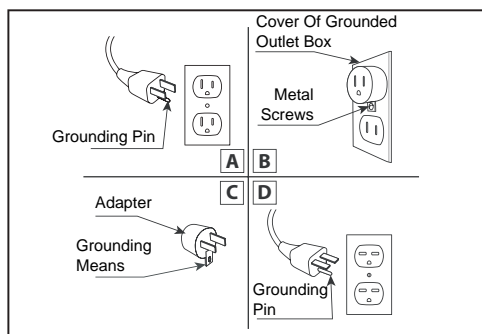


Fig. 1

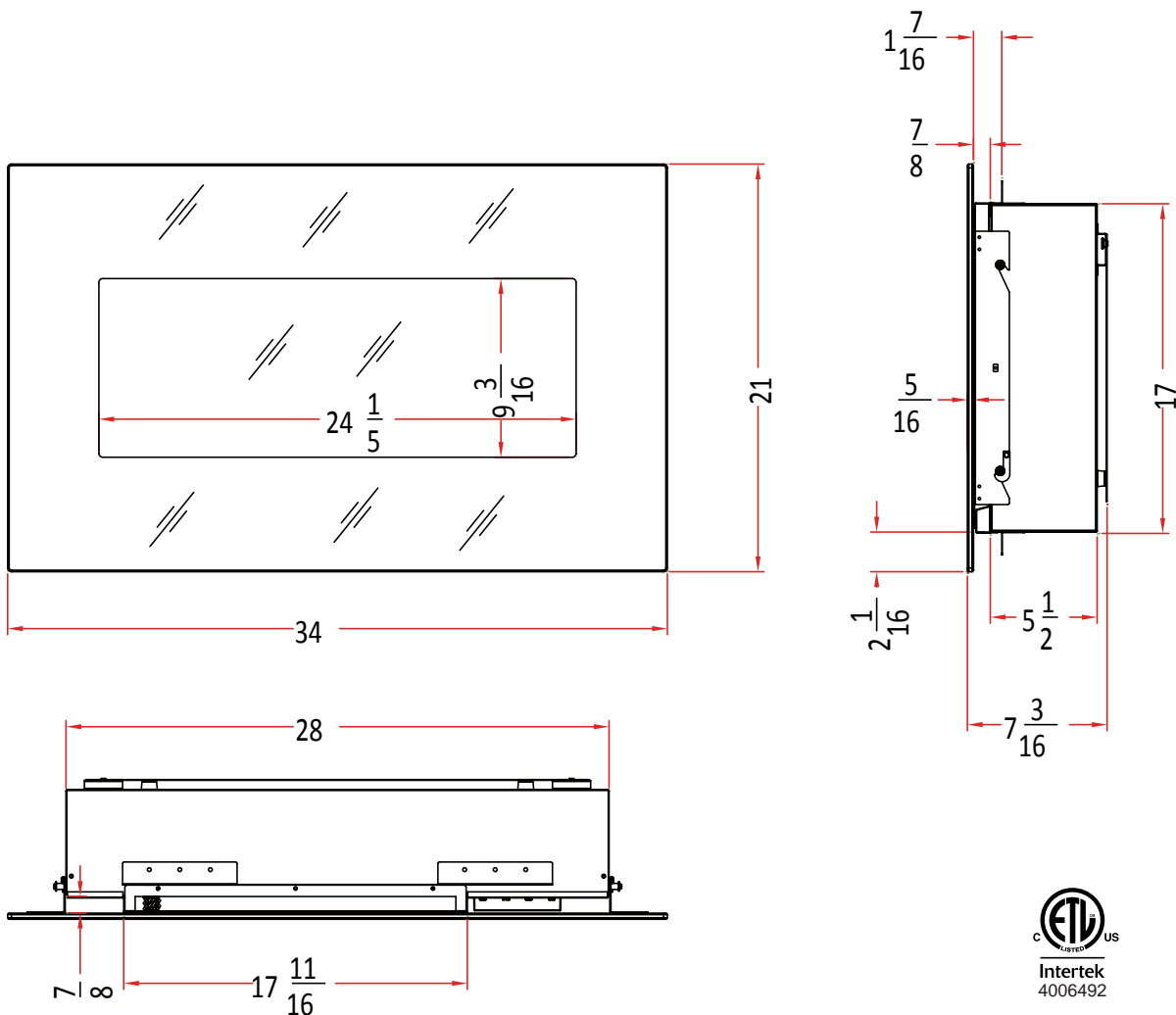
SAVE THESE INSTRUCTIONS

WM-BI-28-3421

Model Number		WM-BI-28-3421
Description		Built-In Appliance
Voltage		120V AC,60Hz
Amps		11.7A
Watts		1400W
HEATER	HIGH	1350W
	LOW	675W
NO HEATER		15W
MOTOR HEATER		14.5W
MOTOR FLAME		4W
Appliance Width		28" or 71.50 cm
Appliance Height		17" or 43.00 cm
Appliance Depth		5 1/2" or 14.00 cm
Gross Weight		46.76 lbs or 21.21kg
Plug Location		Right side
Cord Length		74.81" or 190.00 cm

This appliance has been tested in accordance with the UL Standard 2021 for fixed and location-dedicated electric room appliances in the United States and Canada. If you need assistance during installation, please contact your local dealer.

NOTE: This appliance must be electrically wired and grounded in accordance with local codes. In the absence of local codes, us the current CSA C22.1 Canadian Electrical Code in Canada or ANSI/NFPA 70 National Electrical Code in the United States.

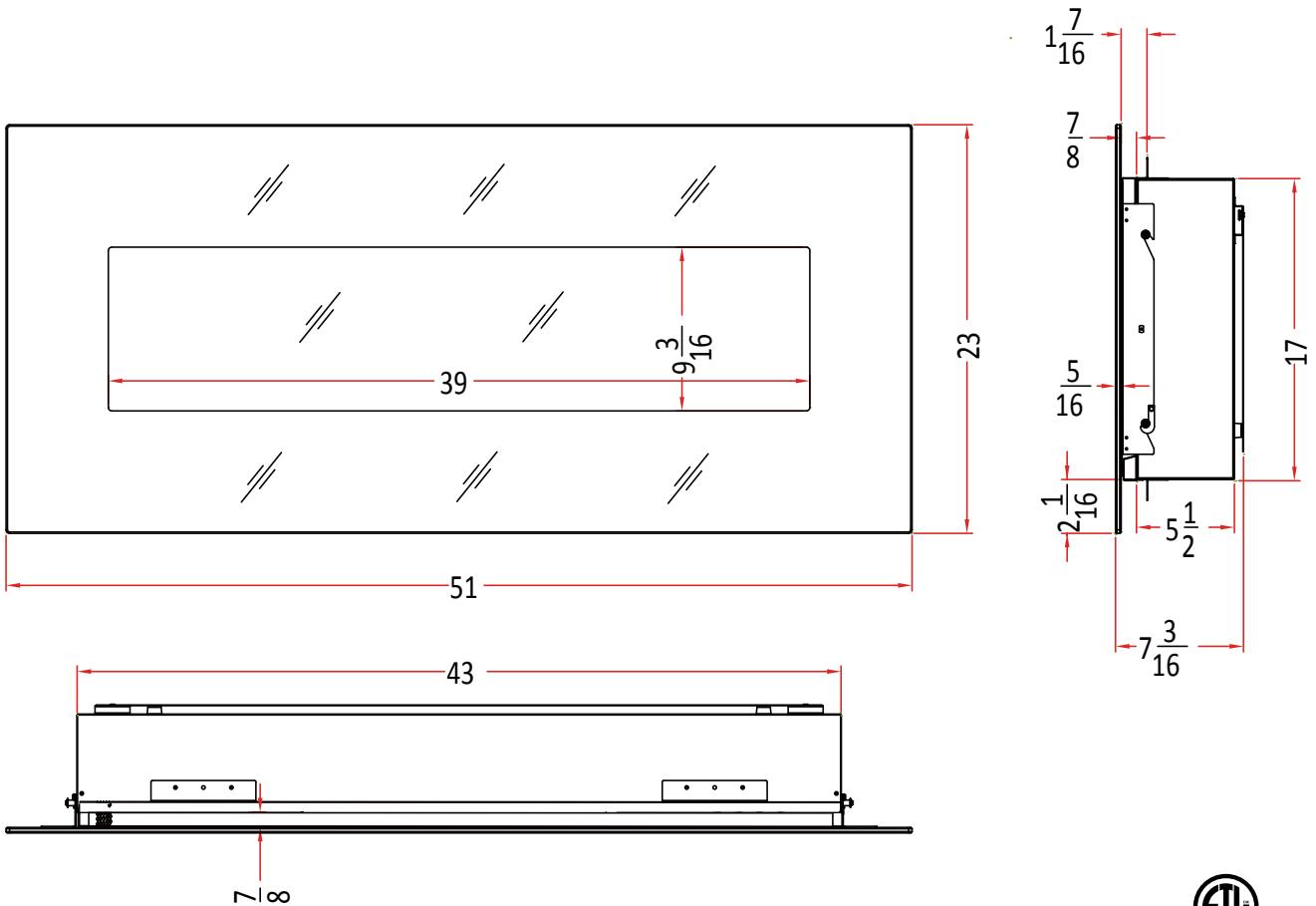


WM-BI-43-5123

Model Number		WM-BI-43-5123W
Description		Built-In Appliance
Voltage		120V AC,60Hz
Amps		11.7A
Watts		1400W
HEATER	HIGH	1350W
	LOW	675W
NO HEATER		23W
MOTOR HEATER		14.5W
MOTOR FLAME		4W
Appliance Width		43" or 109.30 cm
Appliance Height		17" or 43.00 cm
Appliance Depth		5 1/2" or 14.00 cm
Gross Weight		70.00 lbs or 31.75kg
Plug Location		Right side
Cord Length		74.81" or 190.00 cm

This appliance has been tested in accordance with the UL Standard 2021 for fixed and location-dedicated electric room appliances in the United States and Canada. If you need assistance during installation, please contact your local dealer.

NOTE: This appliance must be electrically wired and grounded in accordance with local codes. In the absence of local codes, us the current CSA C22.1 Canadian Electrical Code in Canada or ANSI/NFPA 70 National Electrical Code in the United States.



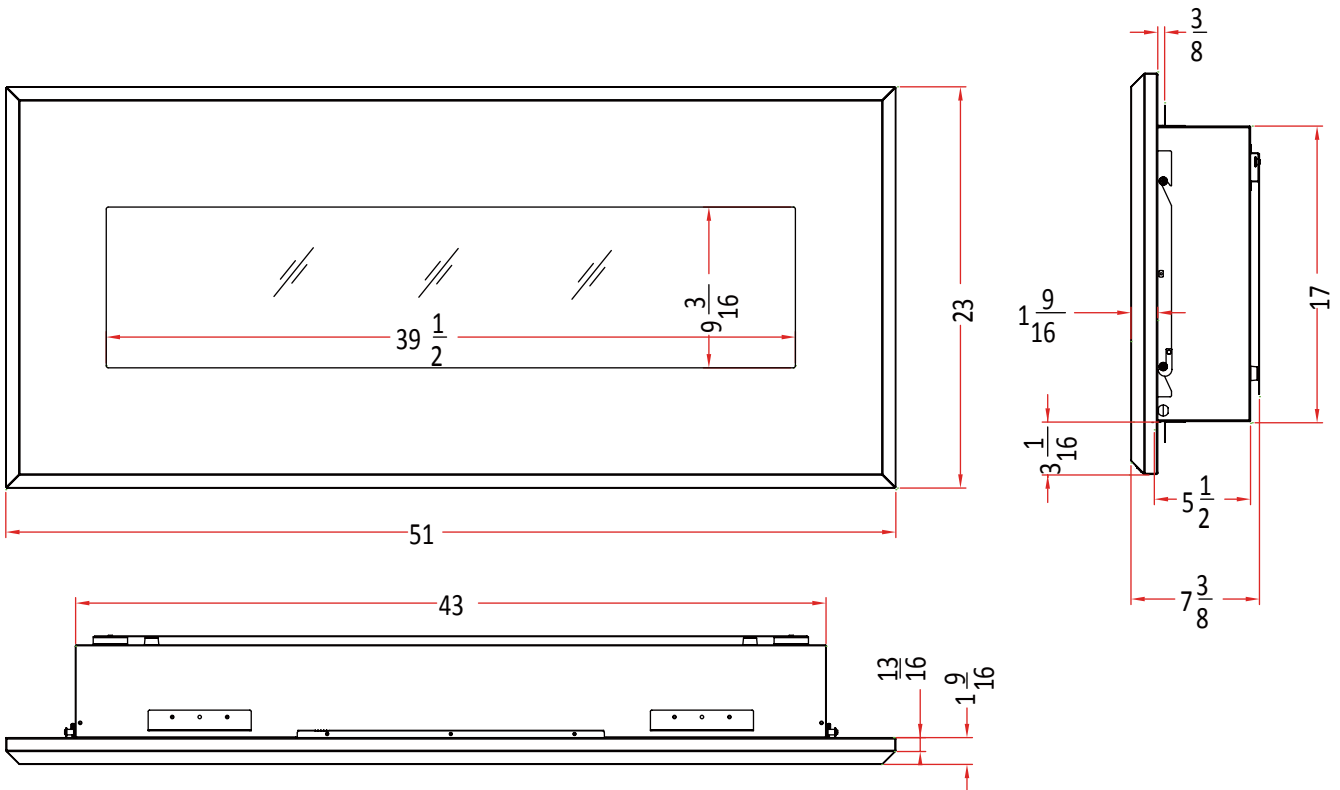
WM-BI-43-5123

Model Number		WM-BI-43-5123
Description		Built-In Appliance
Voltage		120V AC,60Hz
Amps		11.7A
Watts		1400W
HEATER	HIGH	1350W
	LOW	675W
NO HEATER		23W
MOTOR HEATER		14.5W
MOTOR FLAME		4W
Appliance Width		43" or 109.20 cm
Appliance Height		17" or 43.00 cm
Appliance Depth		5 1/2" or 14.00 cm
Gross Weight		59.79 lbs or 27.12kg
Plug Location		Right side
Cord Length		74.81" or 190.00 cm

This appliance has been tested in accordance with the UL Standard 2021 for fixed and location-dedicated electric room appliances in the United States and Canada. If you need assistance during installation, please contact your local dealer.

NOTE: This appliance must be electrically wired and grounded in accordance with local codes. In the absence of local codes, us the current CSA C22.1 Canadian Electrical Code in Canada or ANSI/NFPA 70 National Electrical Code in the United States.

REMARK: Metal Front Fireplaces have not included Moon Light, Mood Light Remote Control and Touch Panel Feature.

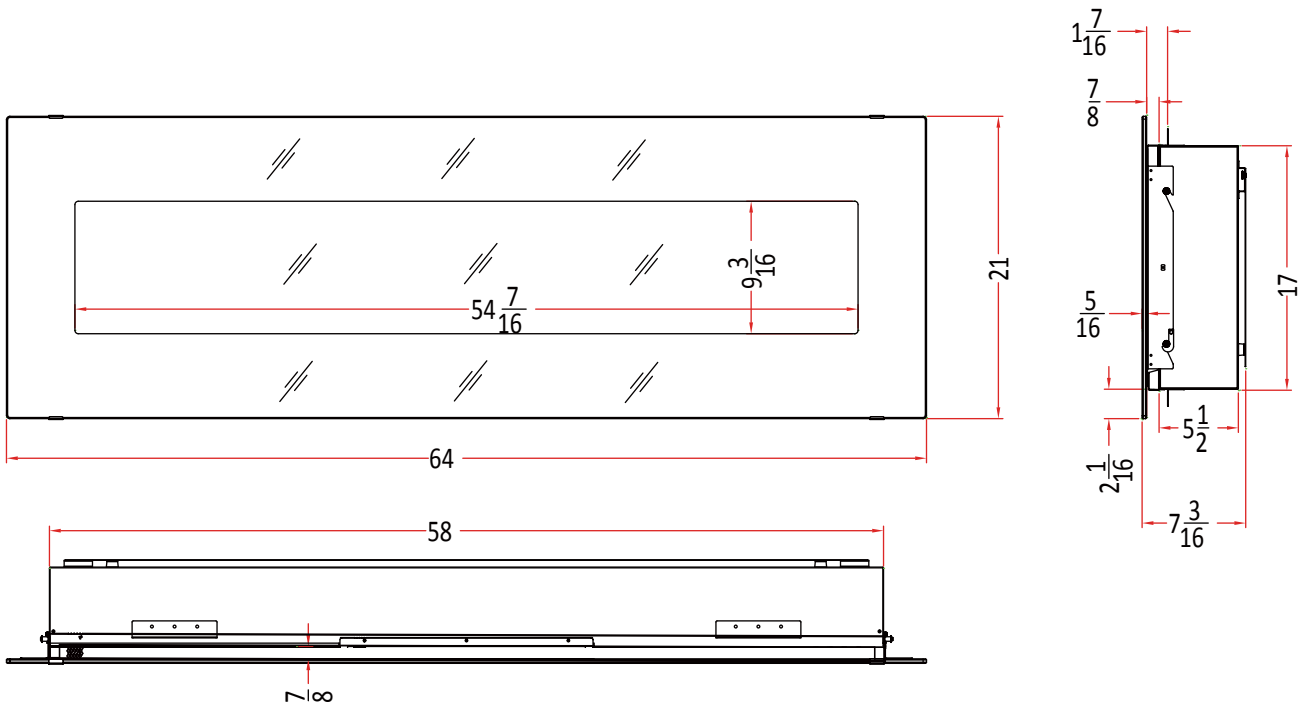


WM-BI-58-6421

Model Number		WM-BI-58-6421
Description		Built-In Appliance
Voltage		120V AC,60Hz
Amps		11.7A
Watts		1400W
HEATER	HIGH	1350W
	LOW	675W
NO HEATER		27W
MOTOR HEATER		14.5W
MOTOR FLAME		6W
Appliance Width		58" or 147.30 cm
Appliance Height		17" or 43.00 cm
Appliance Depth		5 1/2" or 14.00 cm
Gross Weight		84.99 lbs or 38.55kg
Plug Location		Right side
Cord Length		74.81" or 190.00 cm

This appliance has been tested in accordance with the UL Standard 2021 for fixed and location-dedicated electric room appliances in the United States and Canada. If you need assistance during installation, please contact your local dealer.

NOTE: This appliance must be electrically wired and grounded in accordance with local codes. In the absence of local codes, us the current CSA C22.1 Canadian Electrical Code in Canada or ANSI/NFPA 70 National Electrical Code in the United States.



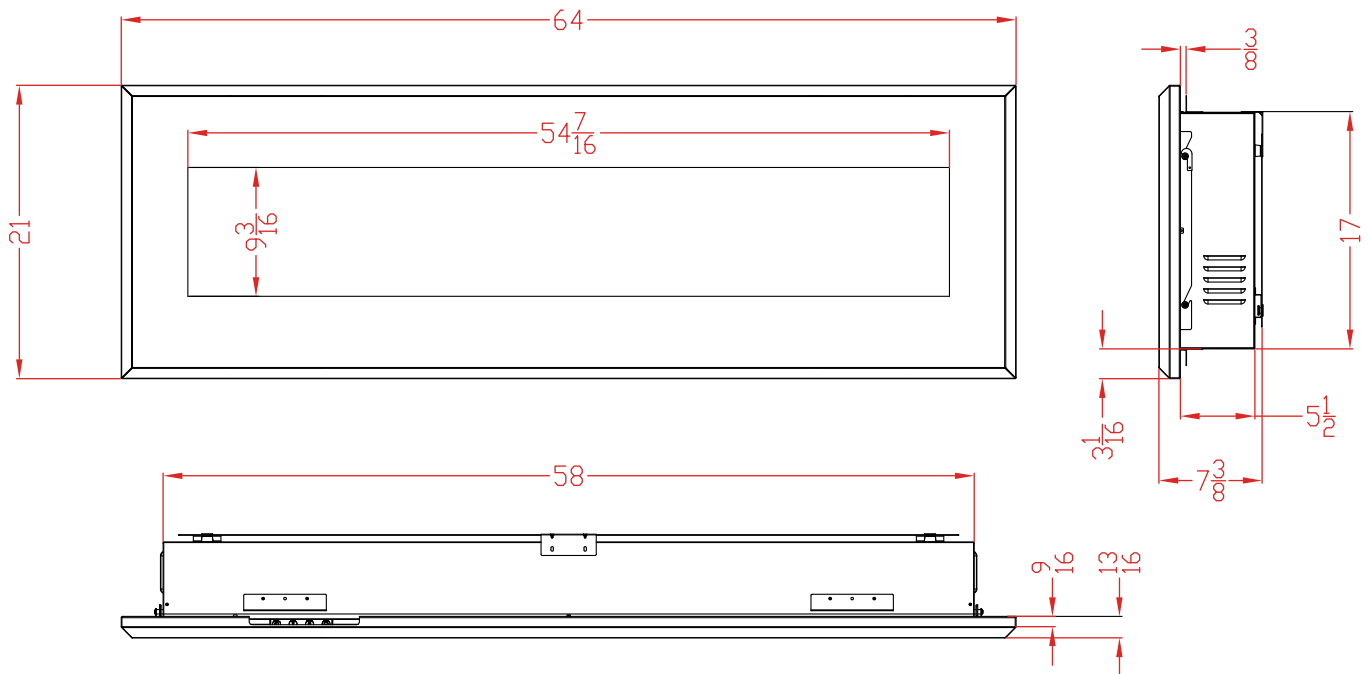
WM-BI-58-6421

Model Number		WM-BI-58-6421
Description		Built-In Appliance
Voltage		120V AC,60Hz
Amps		11.7A
Watts		1400W
HEATER	HIGH	1350W
	LOW	675W
NO HEATER		27W
MOTOR HEATER		14.5W
MOTOR FLAME		6W
Appliance Width		58" or 147.30 cm
Appliance Height		17" or 43.00 cm
Appliance Depth		5 1/2" or 14.00 cm
Gross Weight		74.78lbs/33.92kg
Plug Location		Right side
Cord Length		74.81" or 190.00 cm

This appliance has been tested in accordance with the UL Standard 2021 for fixed and location-dedicated electric room appliances in the United States and Canada. If you need assistance during installation, please contact your local dealer.

NOTE: This appliance must be electrically wired and grounded in accordance with local codes. In the absence of local codes, us the current CSA C22.1 Canadian Electrical Code in Canada or ANSI/NFPA 70 National Electrical Code in the United States.

REMARK: Metal Front Fireplaces have not included Moon Light, Mood Light Remote Control and Touch Panel Feature.

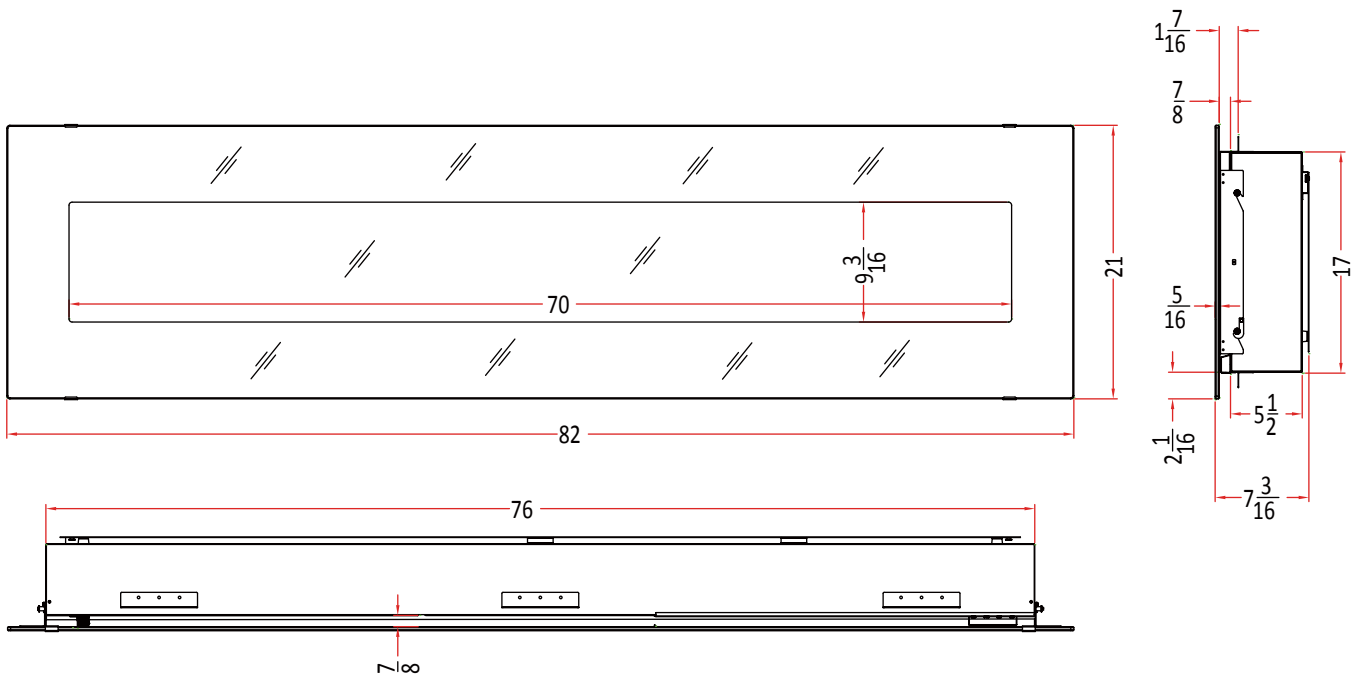


WM-BI-76-8221

Model Number		WM-BI-76-8221
Description		Built-In Appliance
Voltage		120V AC,60Hz
Amps		11.7A
Watts		1400W
HEATER	HIGH	1350W
	LOW	675W
NO HEATER		30W
MOTOR HEATER		14.5W
MOTOR FLAME		6W
Appliance Width		76" or 193.00 cm
Appliance Height		17" or 43.00 cm
Appliance Depth		5 1/2" or 14.00 cm
Gross Weight		104.35 lbs or 47.33kg
Plug Location		Right side
Cord Length		74.81" or 190.00 cm

This appliance has been tested in accordance with the UL Standard 2021 for fixed and location-dedicated electric room appliances in the United States and Canada. If you need assistance during installation, please contact your local dealer.

NOTE: This appliance must be electrically wired and grounded in accordance with local codes. In the absence of local codes, us the current CSA C22.1 Canadian Electrical Code in Canada or ANSI/NFPA 70 National Electrical Code in the United States.

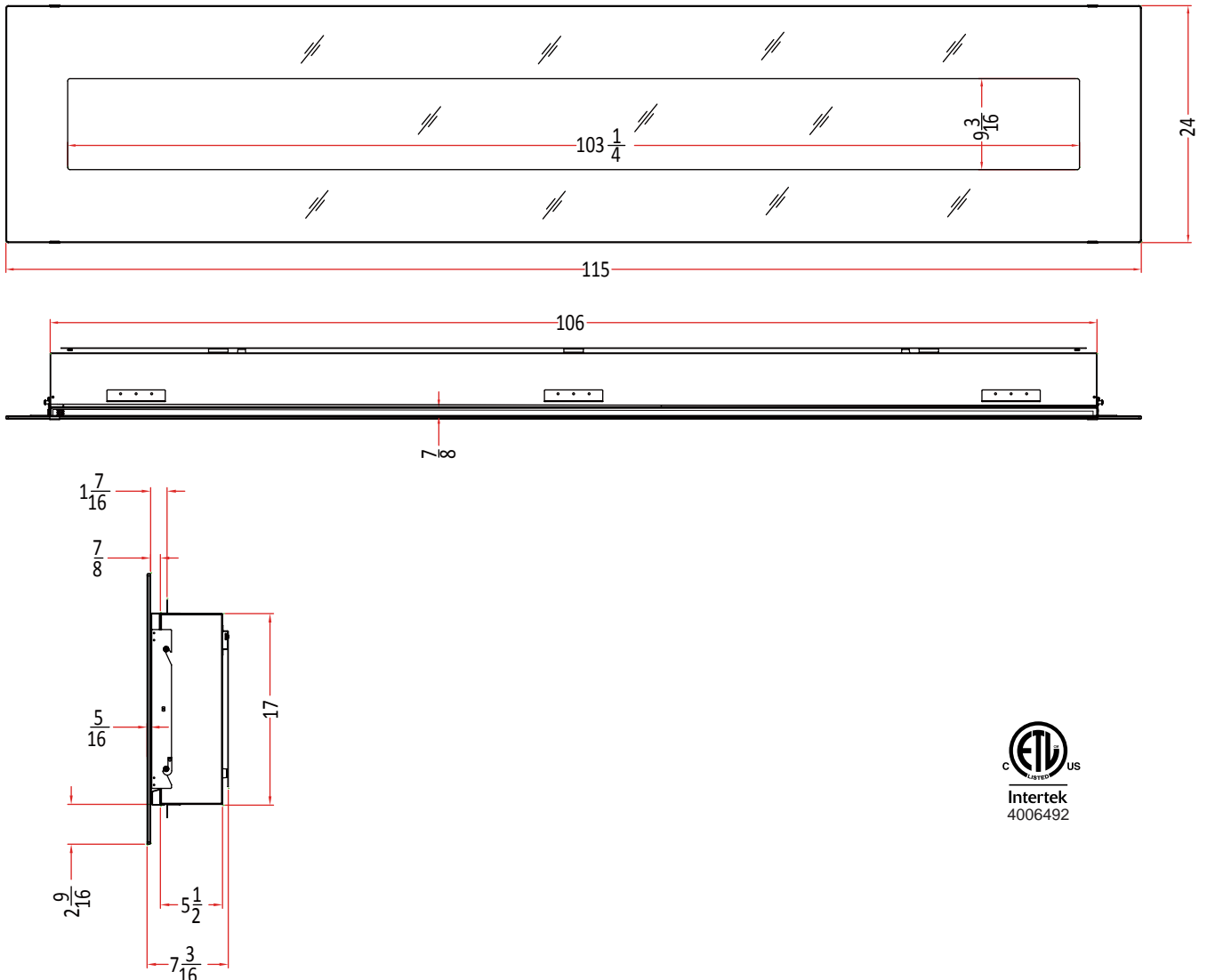


WM-BI-106-11524

Model Number		WM-BI-106-11524
Description		Built-In Appliance
Voltage		120V AC,60Hz
Amps		11.7A
Watts		1400W
HEATER	HIGH	1350W
	LOW	675W
NO HEATER		35W
MOTOR HEATER		14.5W
MOTOR FLAME		6W
Appliance Width		106" or 269.30 cm
Appliance Height		17" or 43.00 cm
Appliance Depth		5 1/2" or 14.00 cm
Gross Weight		153.64 lbs or 69.69kg
Plug Location		Right side
Cord Length		74.81" or 190.00 cm

This appliance has been tested in accordance with the UL Standard 2021 for fixed and location-dedicated electric room appliances in the United States and Canada. If you need assistance during installation, please contact your local dealer.

NOTE: This appliance must be electrically wired and grounded in accordance with local codes. In the absence of local codes, us the current CSA C22.1 Canadian Electrical Code in Canada or ANSI/NFPA 70 National Electrical Code in the United States.



INSTALLATION OVERVIEW



NOTE: BEFORE YOU INSTALL

SITE SELECTION

Your new fireplace may be wall mounted, installed into existing framing or built into a wall.

Review and consider all of the following conditions for installation:

- Dimensions of the unit.
- Unit requires a minimum of two (2) wall studs in order to ensure a secure installation.

Two possible installation methods:

- Built-In (Page 14 & 15)
- Wall Mount (Page 16)

Power supply Wire Gage		
Voltage	Wire Gage	Fuse
120 v	14 GA.	15 AMP

Wall switch / thermostat Wire Gage	
Voltage	Wire Gage
5 Volts	18 Gage

NOTE: A 15 Amp, 120 Volt circuit is required. A dedicated circuit is preferred but not essential in all cases.



WARNING:

Ensure the power cord is not installed so that it is pinched or against a sharp edge and ensure that the power cord is stored or secured to avoid tripping or snagging to reduce the risk of fire, electric shock or injury to persons.

Construction and electrical outlet wiring must comply with local building codes and other applicable regulations to reduce the risk of fire, electric shock and injury to persons.

To reduce the risk of fire, do not store or use gasoline or other flammable vapors and liquids in the vicinity of the heater.

1. Select a location that is not susceptible to moisture, dust and is away from high traffic locations and things that may catch fire or block openings such as drapes, pillows, furniture etc.

2. For the best effect install the fireplace out of direct sunlight and away from overhead lighting.

3. If possible, select a location near an existing electrical outlet for ease of electrical hook up.

4. Remove fireplace, front, fireglass media, and all hardware from box and remove all packaging related materials prior to installation. (Figures 1,2,3,4)

5. Plug in the unit, then press the POWER key on the unit or remote control. (Ensure the batteries are installed in remote control.) After this, ensure the LED lights are working correctly. (see page 22)

6. Press ON/OFF key to close the unit, then pull the plug from the socket. Store the fireplace in a safe, dry and dust free location until you are ready to install the fireplace.

PACKAGING LIST

This assembled Electric fireplace is packaged with:

- One Installation and Operation Manual
- One Remote Control
- One Mood LED remote control

TOOLS & BUILDING SUPPLIES NORMALLY REQUIRED

TOOLS:

Phillips Screwdriver
Hammer
Saw and/or Saber Saw
Level
Measuring Tape
Plumb Line
Electric Drill and Bits
Pliers
Square
Gloves

BUILDING SUPPLIES:

Framing Materials
Wall Finishing Materials
Caulking Materials
(non-combustible)

INSTALLATION OVERVIEW



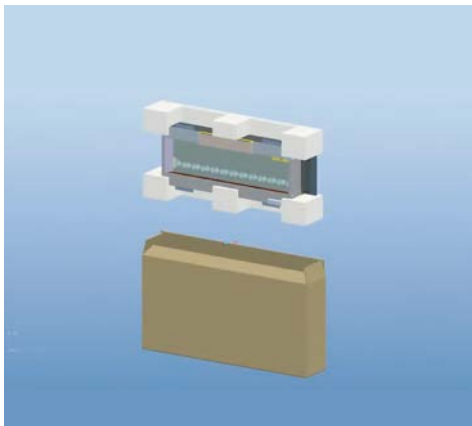
Locate fire glass media and set aside for later installation. (See Page 16)

(Figure 1)

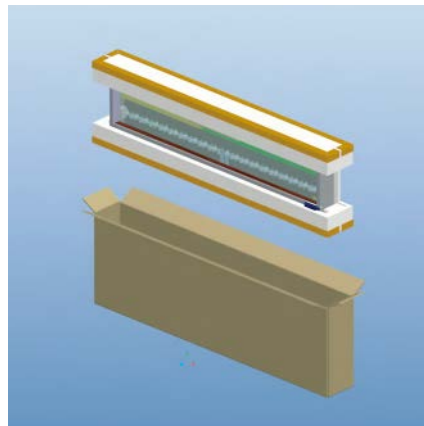


Remove sides of box

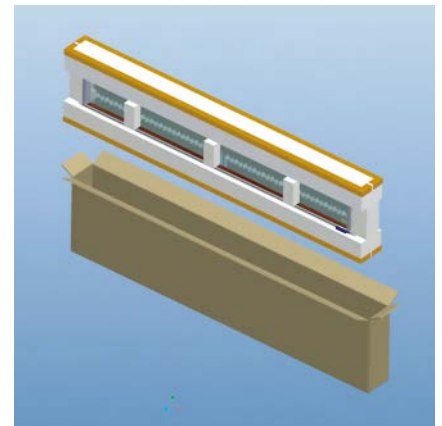
(Figure 2)



28" / 43" / 58"



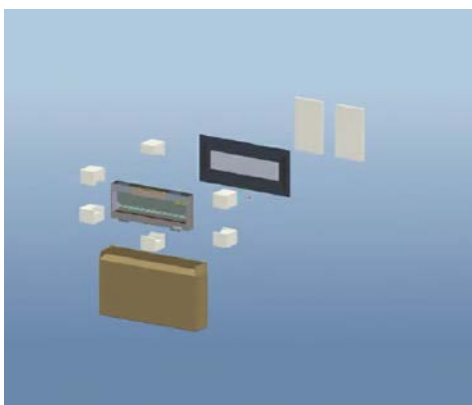
76"



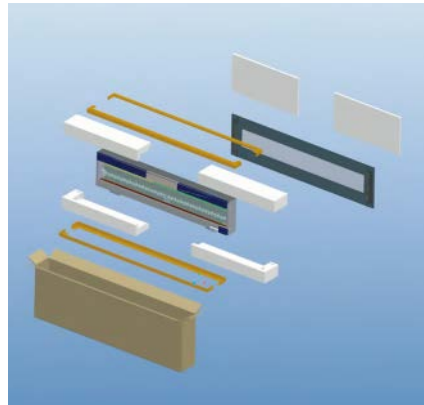
106"

Remove packaging surrounding the unit and front.

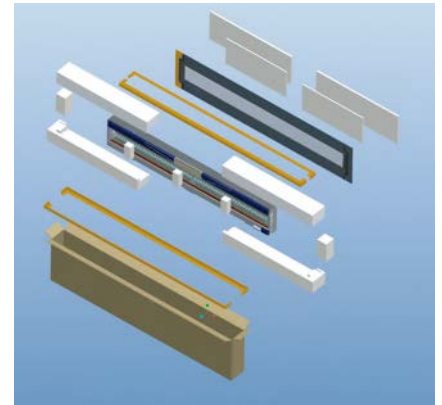
(Figure 3)



28" / 43" / 58"



76"



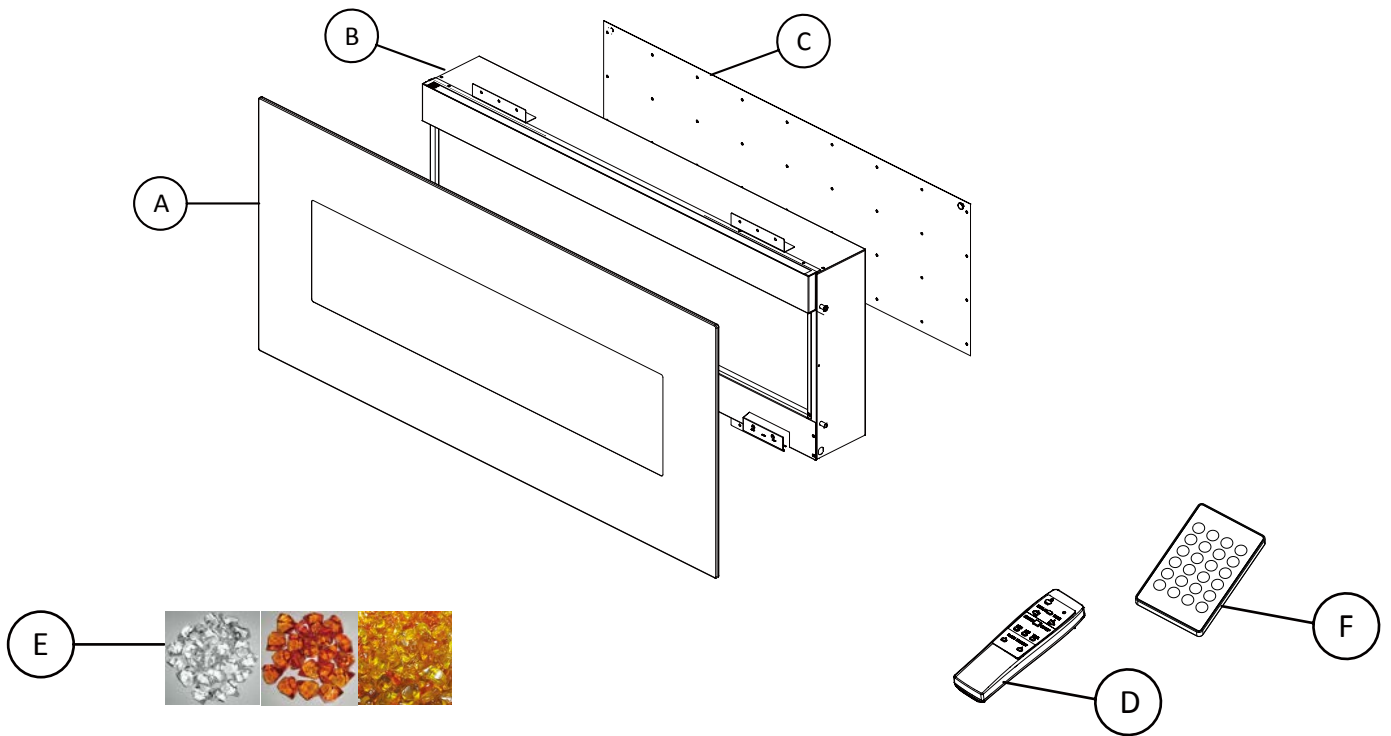
106"

Discard packaging materials and store fireplace in a safe, dry location.

(Figure 4)



PACKAGE CONTENTS



Part	Description	Quantity
A	Glass	1
B	Appliance	1
C	Wall Bracket	1
D	Remote control	1
E	Fire Glass Media	1 (28", 43", 58") 2 (76") 3 (106")
F	Mood LED Light Remote	1

CONTENTS

Part	Description	Quantity	Picture
A	Screw 0.16 in. x 1.0 in.	20	
B	Wall Plug 0.3 in. x 1.5 in.	20	
C	Wood Screw 0.16 in. x 0.6 in.	12	
D	Screw 0.16 in. x 0.3 in.	2	

FIREPLACE INSTALLATION - BUILT-IN



NEW CONSTRUCTION OR RENOVATION

⚠ CAUTION:

Two people may be needed to perform this installation.

1. Select a location that is not prone to moisture and is located at least 0.91 m or 3 feet away from combustible materials such as curtains or drapes, furniture, bedding, paper, etc.

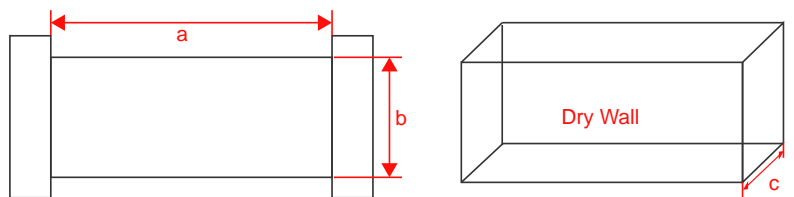
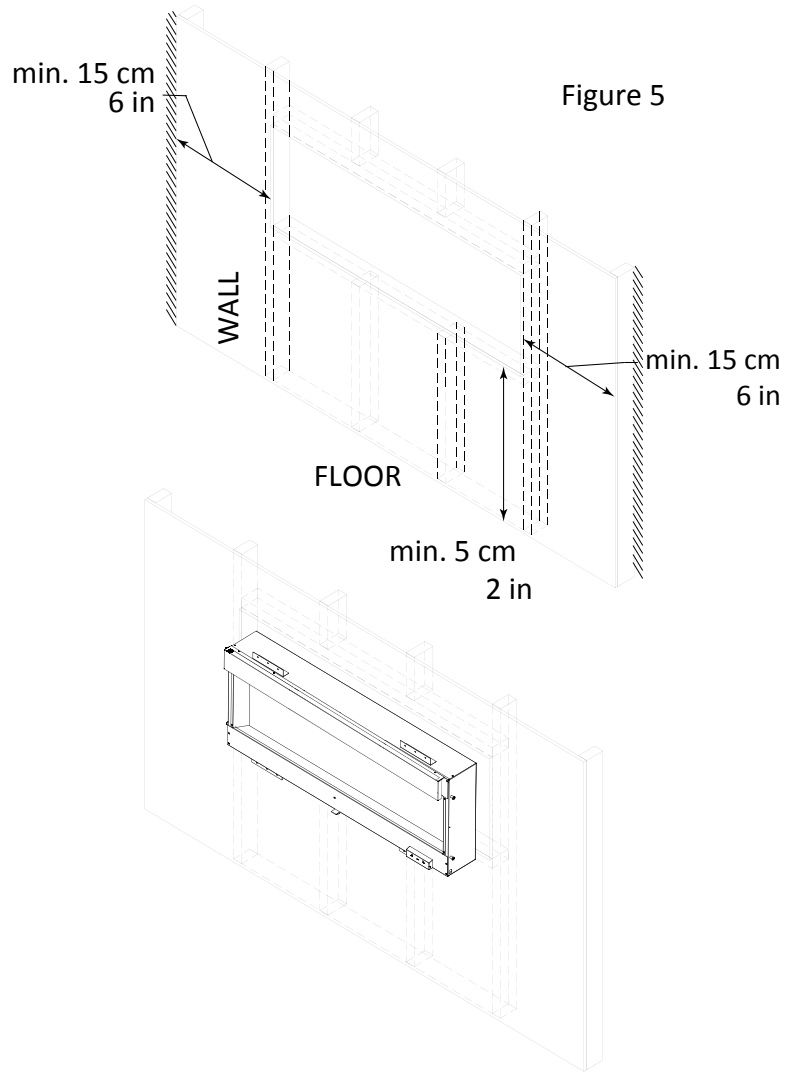
Minimum Clearance of the fireplace to the adjacent wall

- Sides ----- 6 in / 15 cm
- Floor ----- min. 2 in / 5 cm
- Top ----- 6 in / 15 cm
- Back ----- 0 in / 0 cm

2. Place the appliance in selected location to see how it will look in the future.

3. Mark the desired location on the floor and store appliance in a safe, dry and dust free location.

4. Prepare a wall with a framed opening to accommodate the size of your unit. Leave at least 1/4" (6mm) around the edge of the appliance. Any new wiring must be done in compliance with local and national codes and other applicable regulations. (Figure 5)



Model number		a	b	c
WM-BI-28-3421	28"	29"	17½"	5½"
WM-BI-43-5123	43"	44"	17½"	5½"
WM-BI-58-6421	58"	59"	17½"	5½"
WM-BI-76-8221	76"	77"	17½"	5½"
WM-BI-106-11524	106"	107"	17½"	5½"



WARNING:

To prevent contact with sagging or loose insulation, the electric appliance must be installed against vapor barrier or exposed insulation. Overheating could occur and fire may result.



WARNING:

Do not attempt to wire your own new outlets or circuits. To reduce the risk of injury, electric shock or fire, use a licensed electrician.

FIREPLACE INSTALLATION - BUILT-IN



NOTE: BEFORE YOU INSTALL

- For Glass front Models:
Units must stick out of the wall a minimum of 2 1/8" or 5.4 cm

1. Lift fireplace and insert into opening. Adjust the unit to achieve the desired amount of depth. (Figure 6)
2. Make sure that the power supply port is not behind the wall.
3. Level the fireplace.
4. Drive mounting screws into the mounting brackets (nailing flanges) on the unit and the wall studs. (Figure 7)

Figure 6

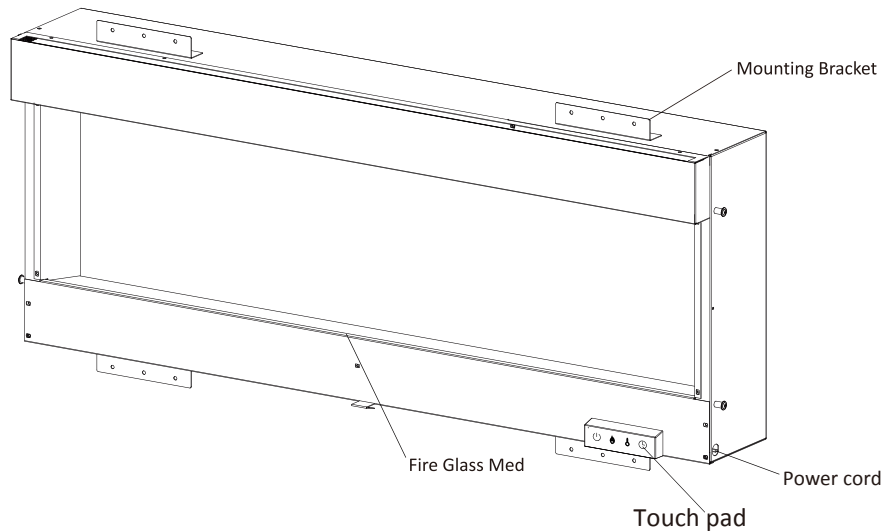
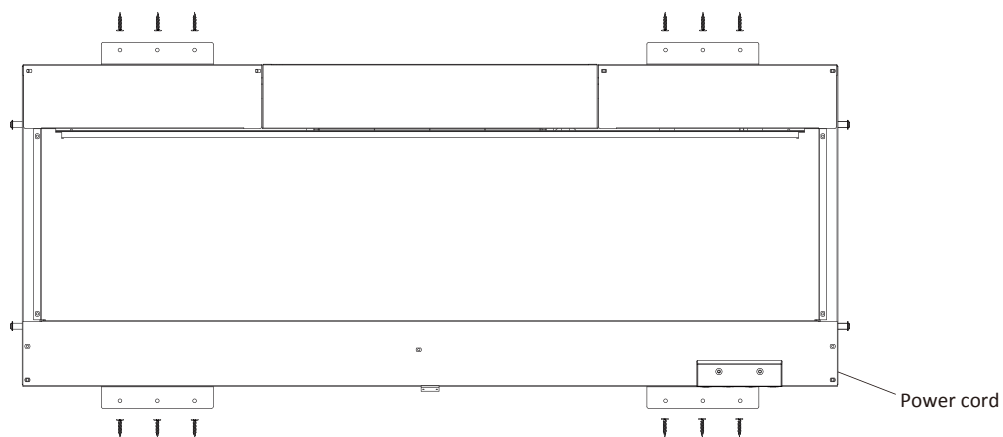


Figure 7

Wall



FIREPLACE INSTALLATION - WALL MOUNT



NOTE: BEFORE YOU INSTALL

It is strongly recommended that the screws be screwed into the wall studs where possible. If the wall studs cannot be used, ensure that plastic anchors are used.

1. Affix the provided mounting bracket to the wall. (Figure 8)

- Make sure it is level.

2. Lift fireplace unit and insert the stakes for hanging into the keyholes on the back of the unit. (Figure 9, Figure 10)

3. Check the appliance for stability ensuring that the appliance will not pull free from the wall.

Figure 8

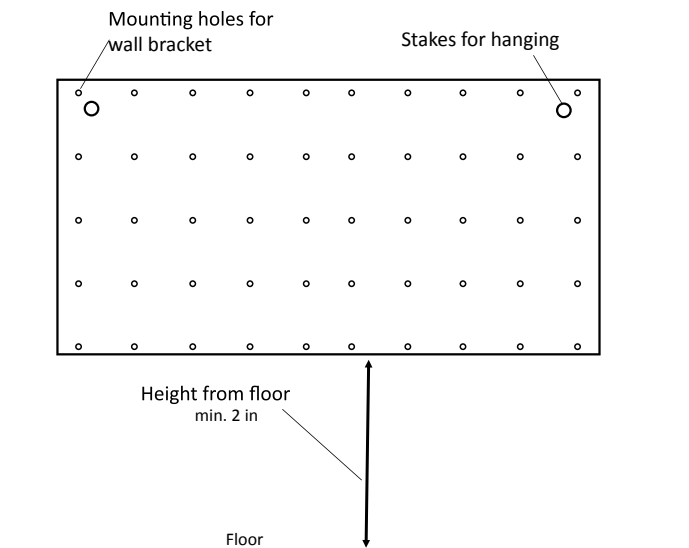
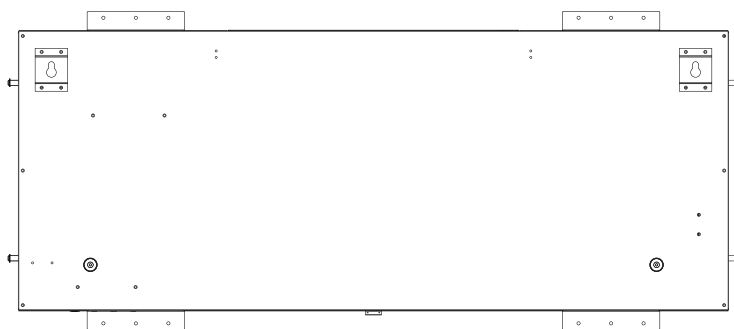
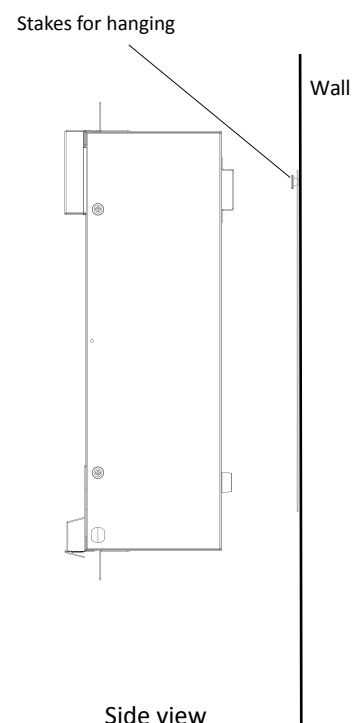


Figure 9



Back of unit

Figure 10



Side view

INSTALLATION - HARDWIRE

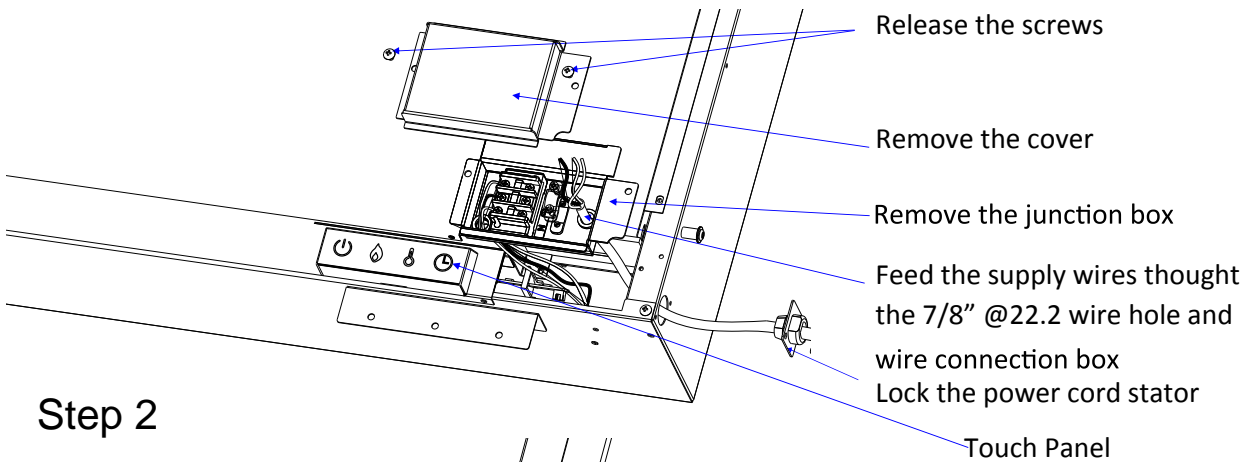


HARD WIRING CONNECTION:

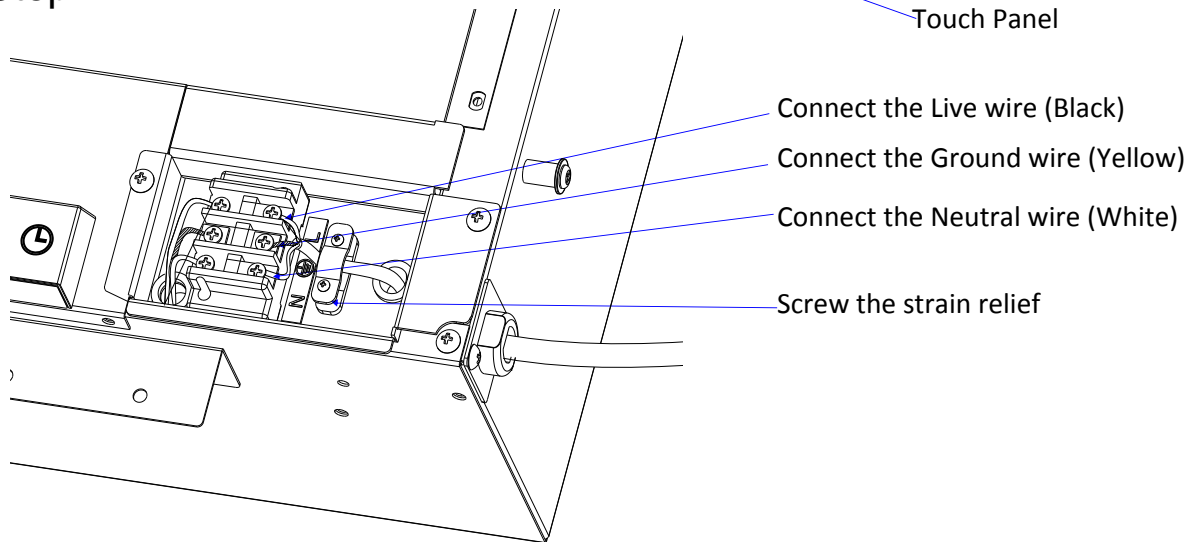
If it is necessary to hard wire this appliance, a qualified electrician may remove the cord connection, and wire the appliance directly to household wiring.

This appliance must be electrically connected and grounded in accordance with local codes, if hard wired. In the absence of local codes, use the current CSA C22.1 Canadian Electrical Code in Canada or the current ANSI/NFPA No. 70 National Electrical Code in the United States.

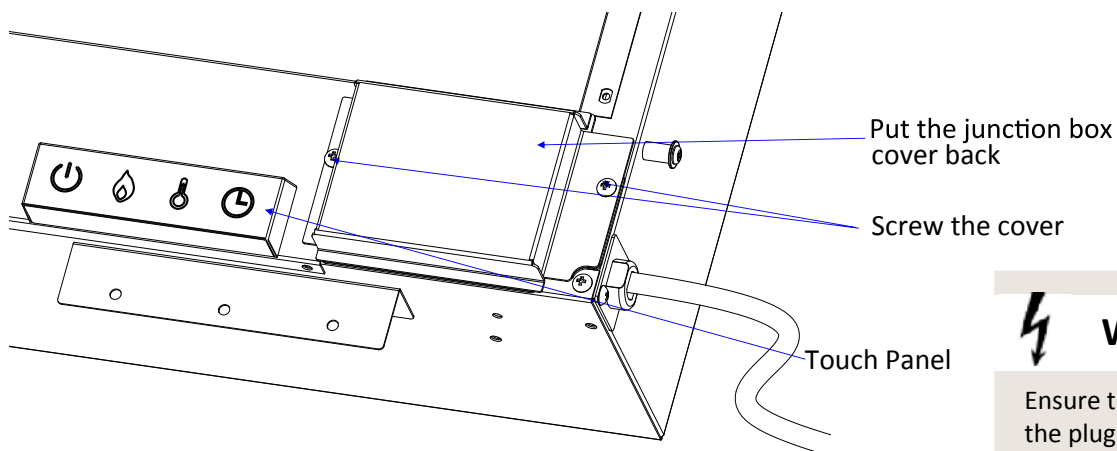
Step 1



Step 2



Step 3



WARNING:

Ensure the unit is power off and the plug is not plugged before installation.

FIRE GLASS MEDIA INSTALLATION



NOTE: BEFORE YOU INSTALL

1. To change from log to Fire Glass Media (Figure 12.1)
Unplug unit from wall and make sure controls are switched off. Then, lift log set out.
 2. Choose the colour of Fire Glass Media you would like to use. (Figure 11)
 3. Place the Fire Glass Media into the Tray (Figure 12.2)
(Built-in installation shown, Fire Glass Media installation is the same for both Built-in and Wall Mount installation methods.)
- It is not necessary to use all the media supplied.

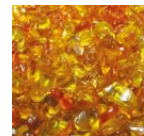
Figure 11



HZ-01 Clear



Hz-10 Harvest moon



Hz-09 Sun Tea

Figure 12.1

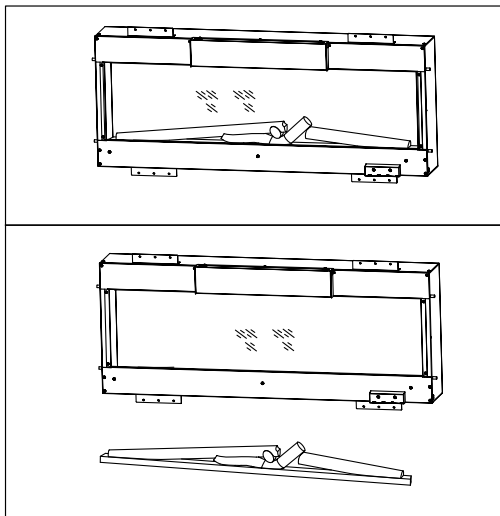
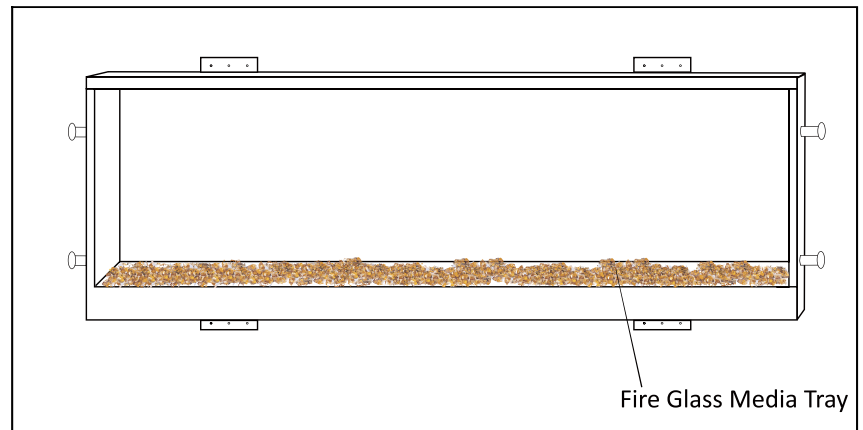


Figure 12.2



FRONT INSTALLATION



NOTE: BEFORE YOU INSTALL

It is recommended that two people install the front onto the appliance, wear safety glasses and gloves when handling glass.

1. Lift fireplace front (Figure 13) and line up the brackets with the four (4) shoulder screws on the side of the appliance body (Figure 14, or Figure 15)

2. Attach the front to the unit.

Figure 13

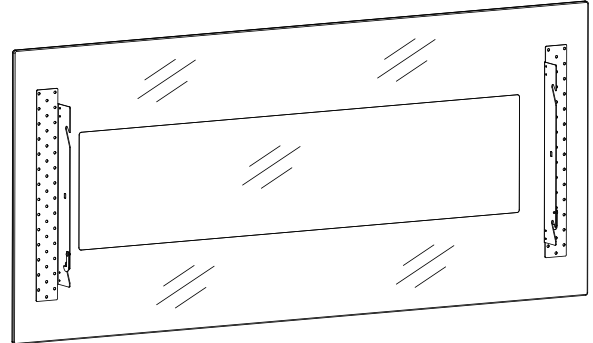


Figure 14

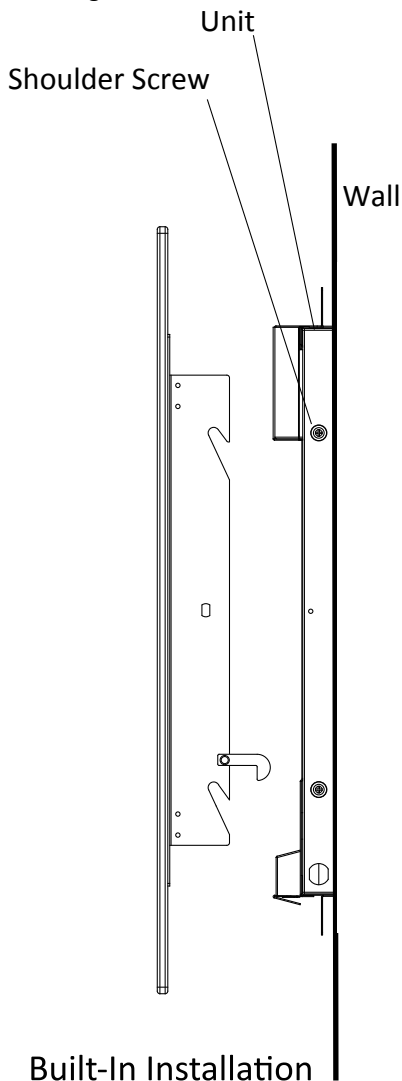


Figure 15

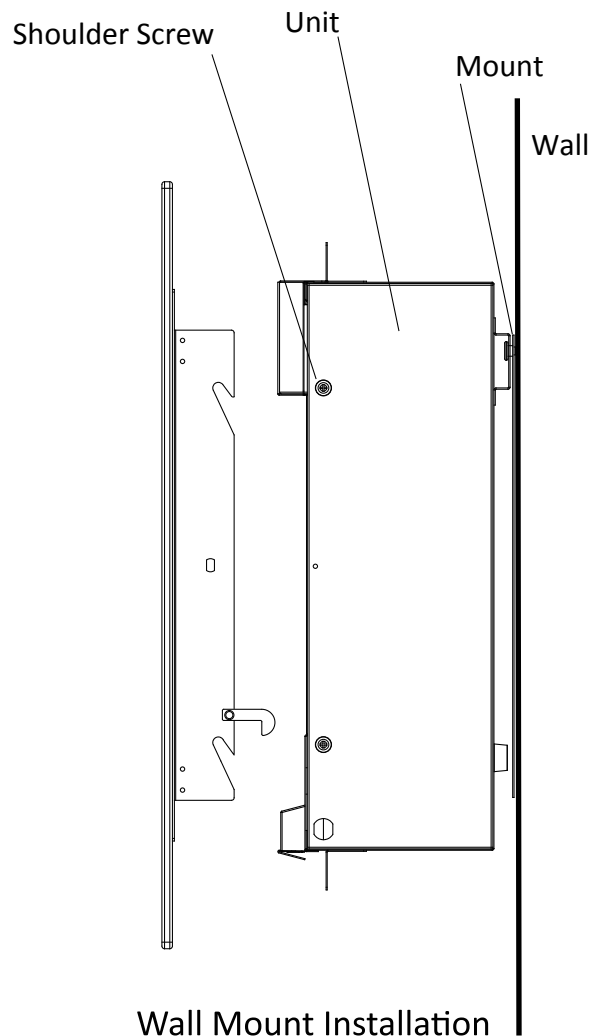
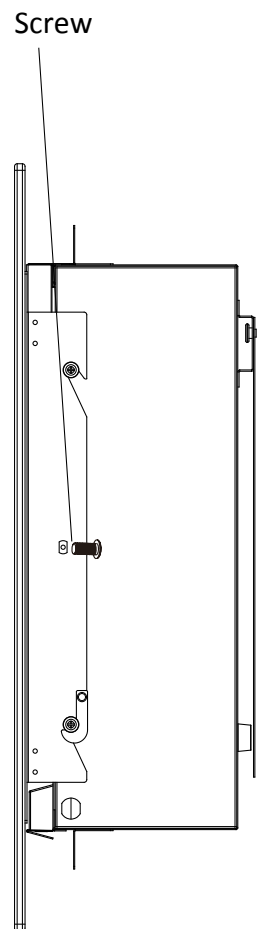


Figure 16



OPERATING THE UNIT



GETTING POWER TO THE UNIT

1. Make sure the appliance is switched OFF (refer to page 19 for instruction)
2. Attach the provided adaptor to the power port on the right hand side of the unit. (Figure 16)
3. Plug unit into electrical outlet.



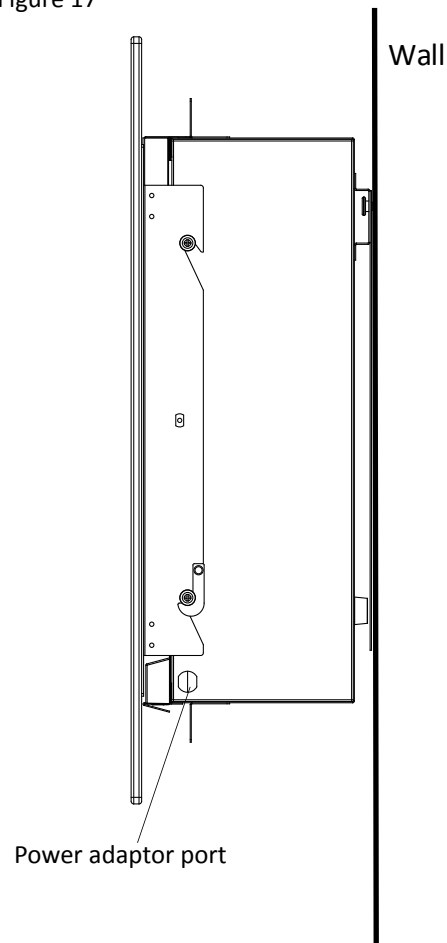
WARNING:

Do not attempt to wire your own new outlets or circuits. To reduce the risk of injury, electric shock or fire, use a licensed electrician.

This heater includes a visual alarm ("F" flashes on the display) when parts of the heater are getting excessively hot. If the alarm illuminates, immediately unplug the heater from the wall outlet for 10 minutes. After 10 minutes plug the unit back into wall outlet, operate as normal.

Inspect for any objects on or adjacent to the heater that may have blocked the airflow or otherwise caused high temperatures to have occurred.

Figure 17



OPERATING THE UNIT



DISPLAY AND FUNCTIONS

Figure 18



a. IR: Receiving infra-red signals(inputs)

b. ON/OFF: (Power indicator) The indicator will be on when the appliance is turned on while the indicator will be off when the appliance is turned off or in standby mode.

c. FLAME/EMBERS: (Flame light and embers light indicator) The indicator will be on when the Flame light and Embers light are turned on while the indicator will be off when the lights are turned off.

d. DISPLAY: (Multi-Function digital display) The panel displays the flame and embers light intensity from level 0 to level 5. When the temperature is adjusting, the panel will display the corresponding temperature in F°/C° . It can also display time while the timer is setting up, and the heating stage number. After 5 seconds without any input signals, the digital display will shut off. When we set the heating stage at level 1 or 2 manually, the digital display will be 1 or 2.

e. HEAT: (Heating indicator) The indicator will be on only when the heating function is turned on.

f. Timer: (Timing indicator) The indicator will be on only when the timer function is turned on.

g. F°/C° : (Temperature unit display) The corresponding indicator will be on when the corresponding temperature unit is used during temperature adjustment.

CONTROLLING THE FIREPLACE

CONTROLLING METHOD:

A: Remote control Operations

B: Main Unit Buttons Operations

A: Remote control Operations

Remote control: This infra-red (IR) remote control, with linear range of 5-7 meters, contains 10 buttons (Red indicator is on when a button is pressed)



POWER: Turns the appliance ON/OFF. (It has functions of setting memory and returning to default setting which in the same manner as the "POWER" button on the main unit) the ON/OFF indicator on the main body display will be on when the appliance is turned on.



TIME SETTING: This is a countdown timer. Press it to start time setting in increments of 30 minutes. The setting range will be 0H - 9H.

Figure 19





REDUCING EMBERS LIGHT INTENSITY: Pressing the button pointing LEFT can reduce the light intensity. Level 1 is the least. If the current level is 1, pressing this button will NOT have any effect. The digital display on the main unit display panel shows the adjusted light intensity level simultaneously when the level is changed.



INCREASING EMBERS LIGHT INTENSITY: Pressing the button pointing towards Right can increase the light intensity. Level 5 is the greatest. If the current level is 5, pressing this button will NOT have any effect. The digital display on the main unit display panel shows the adjusted light intensity level simultaneously when the level is changed.



HEATER SWITCH:

ON: The heater is ready to start display panel indicates "ON". The visual on indicator will disappear turn after 5 seconds.

OFF: Display panel indicates "--".

Remark: If you would like to set the thermostat simply use TEMP key on remote and HEAT key on the display panel of fireplace will display it goes from 68 - 86°F. Again after 5 seconds the display will disappear. If you wish to change the setting simply keep pushing the button until you see the desired temperature.

The heater will work automatically at the set temperature. If you wish to turn OFF, go up on the remote to heater ON/OFF button.



HIGH HEATING LEVEL: After pressing HEATER ON/OFF button by manually, press this button to turn the heating stage into 2. (It is available when the room temperature is less than 30°C).



LOW HEATING LEVEL: After pressing HEATER ON/OFF button by manually, press this button to turn the heating stage into 1. (It is available when the room temperature is less than 30°C).



TEMPERATURE ADJUSTING: Press the button to set the temperature in increments of 1C. After setting the temperature, the program will select the heating stage automatic based on the margin between setting value and room temperature. The setting range is 68°F --86°F (20°C --30°C) with a circular way. While the setting value is 86°F (30°C), pressing the button once will return to 68°F (20°C).



REDUCING FLAME INTENSITY: Pressing the button with a minus (-) sign can reduce the flame intensity (Default = 5). 0 is the least. If the current flame intensity is 0, pressing this button will NOT have any effect. The main unit digital display will show the adjusted flame intensity level when the level is changed.



INCREASING FLAME INTENSITY: Pressing the button with a plus (+) sign can increase the light intensity (Default = 5). 5 is the greatest. If the current flame intensity is 5, pressing this button will NOT have any effect. The main unit digital display will show the adjusted flame intensity level when the level is changed.

B:Main Unit Buttons Operations

POWER: (The power control of the appliance)

Other than switching the appliance on/off, it contains the functions of setting memory and returning to default setting.

Figure 20



FLAME: (The switch of Flame light and embers light)

The light intensity range is level 0--level 5 (default = 5) which 5 is the greatest. Press this button once will increase one light intensity level. The light intensity level is adjusted in a circular manner. When the current intensity level is 5, press this button once, the level will change to 0. The flame and embers light intensities are adjusted synchronous using this button. The light intensities will adjust once the level is changed. After 5 seconds without signal inputs, the level will stay as displayed and the display will switch to show the heating stage number. The color of the flame contains red, amber and blue. For each color, the light intensity level can be adjusted in the same way.

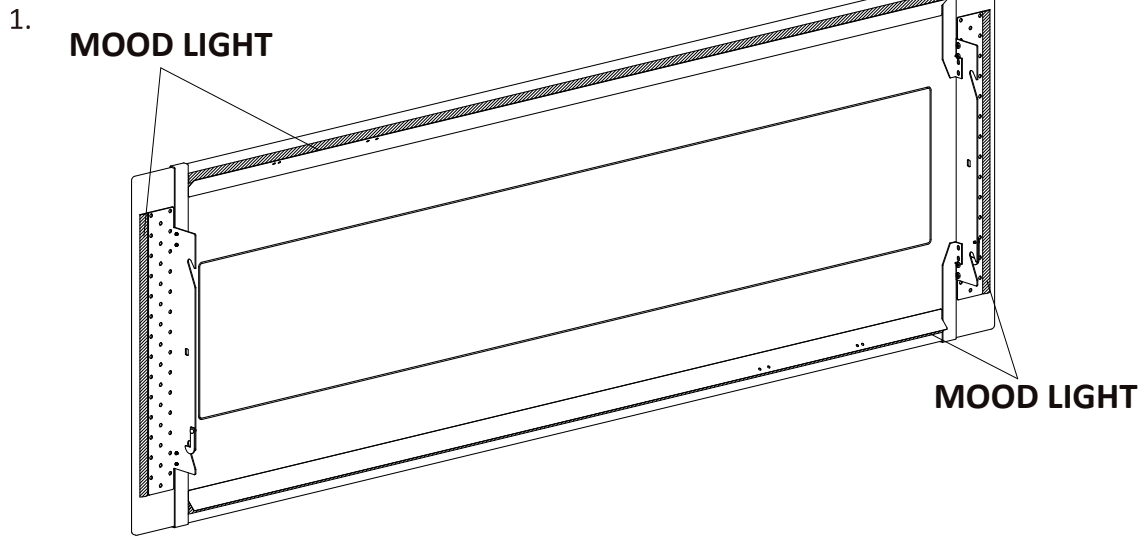
HEAT: (Heating condition: the setup temperature must be higher than the environmental temperature. Heating will be off when the environmental temperature reaches the setup temperature)

(I) Press the button to set the temperature in increments of 1C. After setting the temperature, the program will select the heating stage automatic based on the margin between setting value and room temperature. The setting range is 68 °F --86 °F (20 °C --30 °C) with a circular way. While the setting value is 86 °F (30 °C), pressing the button once will return to 68 °F (20 °C). The default temperature is 68 °F (20 °C) The temperature will stay as displayed after 5 seconds without inputs off. The HEAT indicator on the main unit display panel is always on (for both heating stages) until the heater is switched off.

(II) (Temperature Unit Switching) When the button is pressed for 4 seconds or longer, the displaying unit °F / °C will change. (# For UL/CSA series, the default temperature unit is °F)

TIMER: (Countdown timer) The range of the timer is 0-9 hours with 30 minute intervals. Press this button to increase one interval (30 minutes). The timer is adjusted in a circular manner. When the current timer setting is 9h, press the button once and the time will change to 0h.

MOOD LIGHT



2. MOOD LIGHT LED is installed at the back of glass and is required to plug in.

3. Point the remote directly at the Touch Panel where the infrared receiver is located.



Brightness Up	Brightness Down	OFF	ON
Red	Green	Blue	White
Orange	Yellow-Green	Dark Blue	FLASH ⁽¹⁾
Dark Yellow	Cyan	Purple	STROBE ⁽²⁾
Yellow	Light Blue	Pink	FADE ⁽³⁾
Straw Yellow	Sky Blue	Dark Pink	SMOOTH ⁽⁴⁾

(1) **FLASH:** Push Once - ALL COLOR Fade In/Fade Out
Push Twice - ALL COLOR Flash

(2) **STROBE:** White Strobe

(3) **FADE:** White Fade In/ Fade Out

(4) **SMOOTH :** Push Once - Red, Green, Blue cycle Fade In/ Fade Out
Push Twice - Red, Green Blue cycle Flash

REPLACING THE REMOTE CONTROL BATTERY

When the remote control stops operating or its range seems reduced, it is time to replace the batteries. Remove the batteries if the remote control won't be used for a long period of time.

1. The battery compartment is located on the back end of the remote.
2. Press the small tab inward as you slide the battery door open and remove the old batteries.
3. Replace with (2) AA batteries (not included), making sure the + and - sides of the battery match the inside of the battery compartment.
4. Replace the battery door.

CAUTION:

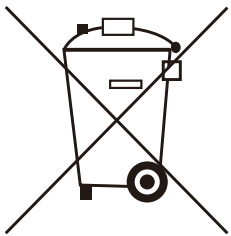
- Always purchase the correct size and grade of battery most suitable for the intended use.
- Replace all batteries of a set at the same time.
- Clean the battery contacts and also those of the device prior to battery installation.
- Ensure the batteries are installed correctly with regard to polarity (+ and -).
- Remove batteries from equipment which is not to be used for an extended period of time.
- Remove used batteries promptly.

Note: Do not mix old and new batteries.

Do not mix alkaline, standard (carbonzinc), or rechargeable (nicad, nimh, etc) batteries.

DISPOSAL OF USED BATTERIES

Batteries may contain hazardous substances which could be endangering to the environment and to human health.



This symbol marked on the battery and/or packaging indicates that used batteries shall not be treated as municipal waste. Instead it shall be left at the appropriate collection point for recycling.

By ensuring used batteries are disposed of correctly, you will help to prevent potential negative consequences for the environment and human health. The recycling of materials will help to conserve natural resources.

For more information about collection and recycling of used batteries, please contact your local municipality or your waste disposal service.

Note: please operate remote transmitter at a slow measured pace. Press the remote control buttons with an even motion and gentle pressure. Repeatedly pressing buttons in rapid succession may cause the transmitter to Malfunction.

CARE AND MAINTENANCE

CLEARANCE TO COMBUSTIBLES

Keep electrical cords, drapery, furniture and other combustibles at least 3 ft. from the front of the heater and away from the sides.

CLEANING TRIM

Clean the metal trim using a soft cloth, slightly dampened with a citrus oil-based product and buff with a clean soft cloth. Do not use brass polish or household cleaners as these products will damage the metal trim. Citrus oil-based products can be obtained at supermarkets or hardware stores.



WARNING: Make sure the power is turned off before proceeding. Any electrical repairs or rewiring of this unit should be carried out by a licensed electrician in accordance with national and local codes.

If repairing or replacing any electrical component or wiring, the original wire routing, color coding and securing locations must be followed.



WARNING: Electrical outlet wiring must comply with local building codes and other applicable regulations to reduce the risk of fire, electrical shock and injury to persons.



WARNING: Do not use this fireplace if any part of it has been under water. Immediately call a qualified service technician to inspect the fireplace and replace any part of the electrical system.



WARNING: Disconnect power before attempting any maintenance or cleaning to reduce the risk of fire, electrical shock or personal injury.



WARNING: During any service of this appliance, the power to the unit must be turned off. First turn the main power switch to the OFF position. Then remove the electrical plug from the wall outlet.

FIREPLACE MAINTENANCE



WARNING:

Disconnect power before performing any maintenance or cleaning to reduce the risk of fire, electric shock or damage.

LED LIGHT BULB REPLACEMENT

LED light bulbs are to be replaced by the manufacturer, it's service agent or similar qualified person in order to avoid hazard



WARNING:

Allow at least 5 minutes for LED bulbs to cool off before handling bulbs to avoid burns.

LED LIGHT REQUIREMENTS

Rating Voltage: DC 3V

Rating Power: 1 W

WM-BI-28-3421: red light: 3 pcs, blue light: 2 pcs, white light: 4 pcs

WM-BI-43-5123: red light: 2 pcs, blue light: 3 pcs, white light: 5 pcs

WM-BI-58-6421: red light: 5 pcs, blue light: 3 pcs, white light: 6 pcs

WM-BI-76-8221: red light: 7 pcs, blue light: 3 pcs, white light: 8 pcs

WM-BI-106-11524:red light: 9 pcs, blue light: 4 pcs, white light: 11 pcs



CAUTION:

Do not exceed 2 watts per LED.

UNIT DISPOSAL

Do not dispose with other household wastes. To prevent possible harm to the environment or human health from uncontrolled waste disposal, recycle it responsibly to promote the sustainable reuse of material resources. Contact your local landfill for appropriate disposal instruction.

TROUBLESHOOTING



WARNING

**Disconnect power before performing any maintenance and allow to cool before servicing
Only a qualified service person should service and repair this electric appliance.**

SYMPTOM	POSSIBLE CAUSES	CORRECTIVE ACTION
Fireplace doesn't work, but "F" visual alarm light is flashing.	Fireplace inner temperature over heating or occurs abnormal heating.	a. This fireplace includes a visual alarm and a thermostat limiter safety device to warn/prevent that parts of heater are getting excessively hot. A thermostat limiter will disconnect power to the unit. Reset it by turning the main power switch OFF (or optional wall switch or wall thermostat, if installed) or unplug the unit and wait 10 minutes then turn it back ON/Plug in the unit. b. If the alarm illuminates and thermostat limiter continues to trip repeatedly contact a qualified service technician.
Flame is fixed (unmoving).	Wiring may be loose or the flame motor may be defective.	Call a qualified service technician. Inspect all wiring for loose connections. If the wire connections are good, replace the flame motor.
Dim or poorly visible flame or log set and ember is not glowing.	LED Light(s) burnt out or wiring is loose.	Inspect all wiring for loose connections and repair or replace if necessary. Inspect light bulbs and replace if necessary.
Flame sputters.	Flame motor is defective	Call a qualified service technician and replace flame motor.
Remote Control does not work.	Low batteries. Unit switch and/or wall switch in "OFF" position.	Replace (2) AA batteries in remote control. If problem persists, there may have been a loss of power to the unit as a possible result from a power failure (i.e. Breaker tripped). Turn off main power on/off switch (see figure 4) and/or optional wall switch (if applicable).
Circuit Breaker trips or fuse blows when the unit is on.	Improper circuit current rating.	Call a qualified service technician. Check the house circuit to ensure it is on a dedicated circuit with proper amp. rating. If the circuit breaker continues to trip (or blown fuses), inspect wiring for a loose connection or a dead short. Repair or replace wiring and/or connectors as necessary.
Dim or no flame	LED Light(s) are burnt out.	Inspect the LED Light(s) and replace them if necessary.
Ember Bed is not glowing or dimming.	LED Light(s) are burnt out.	Inspect the LED Light(s) and replace them if necessary.
No warm air coming from appliance	Room temperature is higher than the appliance setting (if set to LO or MED).	Set appliance to a higher temperature setting (MED or HI)
Appliance turns off and will not turn on.	a. Appliance has overheated and safety device has cause the thermal switch to disconnect. OR b. House circuit breaker has tripped.	a. Unplug the appliance, allow appliance to cool for 15 minutes, then plug back in. b. Reset the house circuit breaker
Appliance will not come on when switch is flipped to ON.	a. Appliance is not plugged into an electrical outlet. OR b. Appliance has overheated and safety device has cause the thermal switch to disconnect.	a. Check plug and plug it in. b. Unplug the appliance, allow appliance to cool for 15 minutes, then plug back in.

SPARE PART LIST

<i>Accessories</i>	<i>Part code</i>	<i>Description</i>
PCB	4783-POWER-PCBA	Power PCBA
PCB	4783-CONTROL-PCBA	Control PCBA
PCB	4783-DISPLAY-PCBA	Display PCBA
PCB	4783-KEYPAD-PCBA	Keypad PCBA
PCB	4738-TOUCHPAD-PCBA	TOUCH PAD PCBA for all models
LED PCB	4783-GRAYBOARD-LED	Front LED for all models
PCB	4783-TEMPC-PCBA	Temperature control PCBA
PCB	4783-DRIVER-PCBA	LED driver PCBA
LED PCB	4783-LOG-LED	Log set LED for all models
LED PCB	4783-LED	28" fireplace LED stripe
LED PCB	4738-LED	43" fireplace LED stripe
LED PCB	4835-LED-R	58" fireplace LED stripe (place at right side)
LED PCB	4835-LED-L	58"& 76"& 106" fireplace LED stripe (place at left side)
LED PCB	4784-LED-R	76"& 106" fireplace LED stripe (place at right side)
LED PCB	4785-LED-M	106" fireplace LED stripe (place in the middle)
LED	4783-Ropeled	28" fireplace LED stripe
LED	4738-Ropeled	43" fireplace LED stripe
LED	4835-Ropeled	58" fireplace LED stripe
LED	4784-Ropeled	76" fireplace LED stripe
LED	4785-Ropeled	106" fireplace LED stripe
4W Flicker motor	SP4738M	28" & 43" fireplace flicker motor 4W
6W Flicker motor	SP4835M	58"& 76"& 106" fireplace flicker motor 6W
Fan Heater common	SP4738	Fan heater for all models
Fan Heater	4738HFL	Fan heater for all models Long
Front glass panel	4783FG	28" fireplace front glass panel
Front glass panel	4738FG	43" fireplace front glass panel
Front glass panel	4835FG	58" fireplace front glass panel
Front glass panel	4784FG	76" fireplace front glass panel
Front glass panel	4785FG	106" fireplace front glass panel
Front glass panel	4834FG	43" fireplace front metal panel
Middle glass panel	4783SG	28" fireplace middle glass panel
Middle glass panel	4738SG	43" fireplace middle glass panel
Middle glass panel	4835SG	58" fireplace middle glass panel
Middle glass panel	4784SG	76" fireplace middle glass panel
Middle glass panel	4785SG	106" fireplace middle glass panel
Base glass panel	4783LG	28" fireplace base glass panel
Base glass panel	4738LG	43" fireplace base glass panel
Base glass panel	4835LG	58" fireplace base glass panel
Base glass panel	4784LG	76" fireplace base glass panel
Base glass panel	4785LG	106" fireplace base glass panel
Log set	SP4783LOG	28" fireplace log set
Log set	SP4738LOG	43" fireplace log set
Log set	SP3835LOG	58" fireplace log set
Log set	SP4784LOG	76" fireplace log set
Log set	SP4785LOG	106" fireplace log set
Remote control	4738MR	Mood light Remote control for all models
Remote	4738R	Remote control for all models

WARRANTY

Amantii Imports Corp. ("Amantii") warrants that your newly purchased Amantii electric fireplace is free from manufacturing and material defects for a period of one (1) year from the date of the first purchase, subject to the conditions and limitations contained below.

Warranty Application & Exclusions

This limited warranty applies to your newly purchased Amantii electric fireplace; the limited warranty's application is limited to purchases made in any province of Canada or in any of the 50 States of the United States of America, including the District of Columbia. Only the original purchaser of the product is eligible for coverage under this limited warranty; the warranty is not transferable.

Products excluded from this limited warranty

Light bulbs are not covered by this limited warranty and are the sole responsibility of the owner/purchaser.

Warranty Coverage and Term

Products covered by this limited warranty have been tested and inspected prior to shipment and, subject to the provisions of this warranty, Amantii warrants such products to be free from defects in material and workmanship for a period of one (1) year from the date of the first purchase of such products.

The limited one (1) year warranty period for products also applies to any implied warranties that may exist under applicable law. Some jurisdictions do not allow limitations on how long an implied warranty lasts, so the above limitation may not apply to the purchaser.

All other warranties - expressed or implied - with respect to the product, its components and accessories or any obligation/liabilities on the part of Amantii are hereby expressly excluded.

Limitations to Coverage Under Limited Warranty

This limited warranty does not apply to products that have been repaired, except by Amantii or its authorized service representatives, or otherwise altered. This limited warranty further does not apply to defects resulting from misuse, abuse, accident, neglect, incorrect installation, improper maintenance or handling, or operation with an incorrect power source.

Products made by other manufacturers, sold with the product or thereafter, are not covered by this limited warranty. The use of unauthorized components will render this warranty null and void.

Service Under Limited Warranty

Defects must be brought to the attention of Amantii Technical Service by contacting Amantii at (1-888-406-8764), or at 1503-7088 18th Avenue, Burnaby, British Columbia, Canada, V3N 0A2. Please have your proof of purchase, catalogue/model and serial numbers available when calling; any and all service under the limited warranty requires a proof of purchase of the product.

Defects

Should a product or part covered by this limited warranty be proven to be defective, in material or workmanship, and during the one (1) year limited warranty period, Amantii will replace such defective product or part without charge. If Amantii is unable to replace such product, or if replacement is not commercially practicable or cannot be timely done, in its sole discretion Amantii may, in lieu of replacement, choose to refund the purchase price for such product or part.

Limitations

In no event will Amantii, including without limitation any of its directors, officers, shareholders, employees, consultants, agents, heirs, executors, administrators and assigns, be liable to the purchaser or any third party, whether in contract, in tort, or on any other basis for any indirect, special, punitive, exemplary, consequential, or incidental loss, cost or damage arising out of or in connection with the sale, maintenance, use or inability to use the product, even if Amantii, including without limitation any of its directors, officers, shareholders, employees, consultants, agents, heirs, executors, administrators and assigns, have been advised of the possibility of such losses, costs or damages, or if such losses, costs or damages are foreseeable. In no event will Amantii, including without limitation any of its directors, officers, shareholders, employees, consultants, agents, heirs, executors, administrators and assigns, be liable for any direct losses, costs or damages that exceed the purchase price of the product.

Some jurisdictions do not allow the exclusion or limitation of incidental or consequential damages, so the above limitation or exclusion may not apply to the purchaser.

Application of Provincial and State law

This limited warranty gives you specific legal rights, and you may also have other rights which vary from jurisdiction to jurisdiction. The provisions of the United Nations Convention on Contracts for the Sale of Goods shall not apply to this limited warranty or the sale of products covered by this limited warranty.

General

Amantii reserves the right to make changes at any time without notice, in design, material, specifications, prices and the right to discontinue styles and products.

Amantii

ELECTRIC FIREPLACES

www.amantii.com

Date of Purchase:

Dealer Information: